

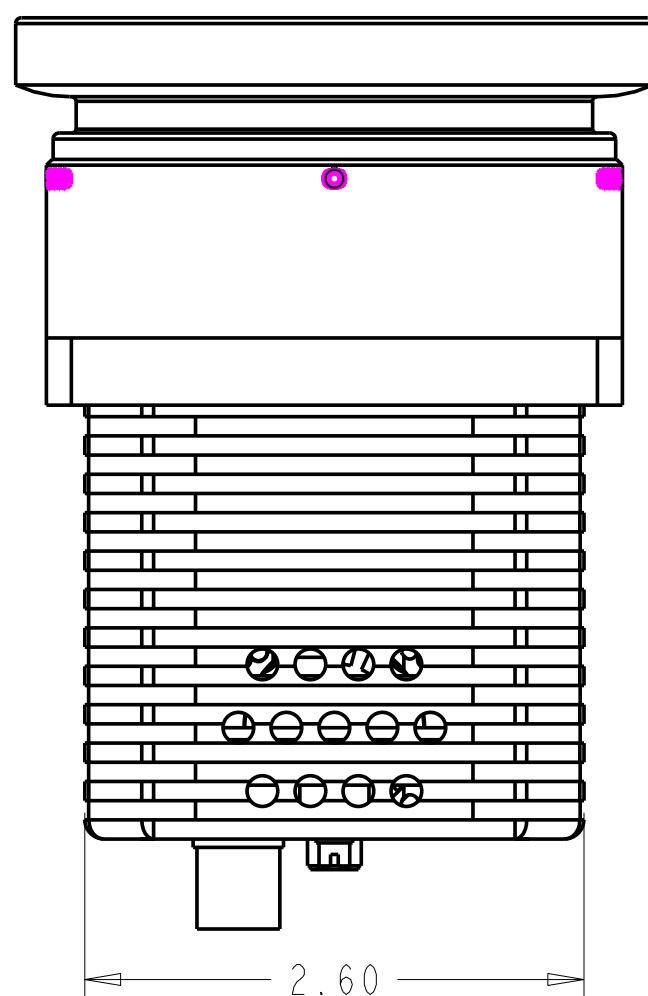
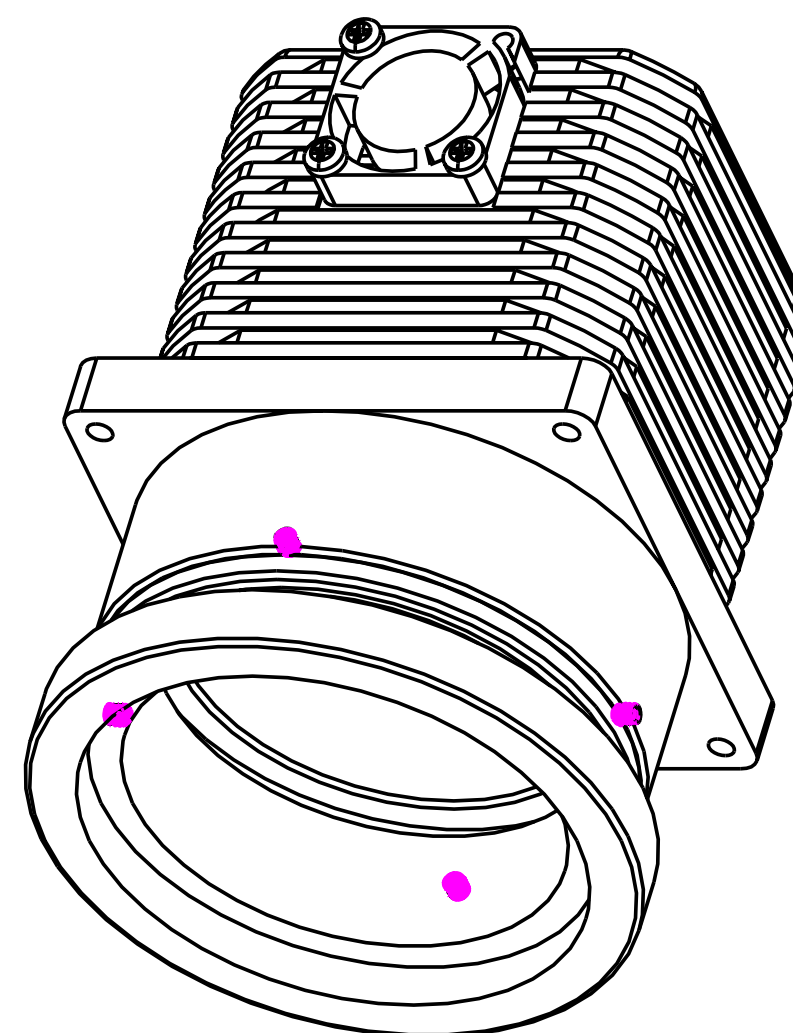
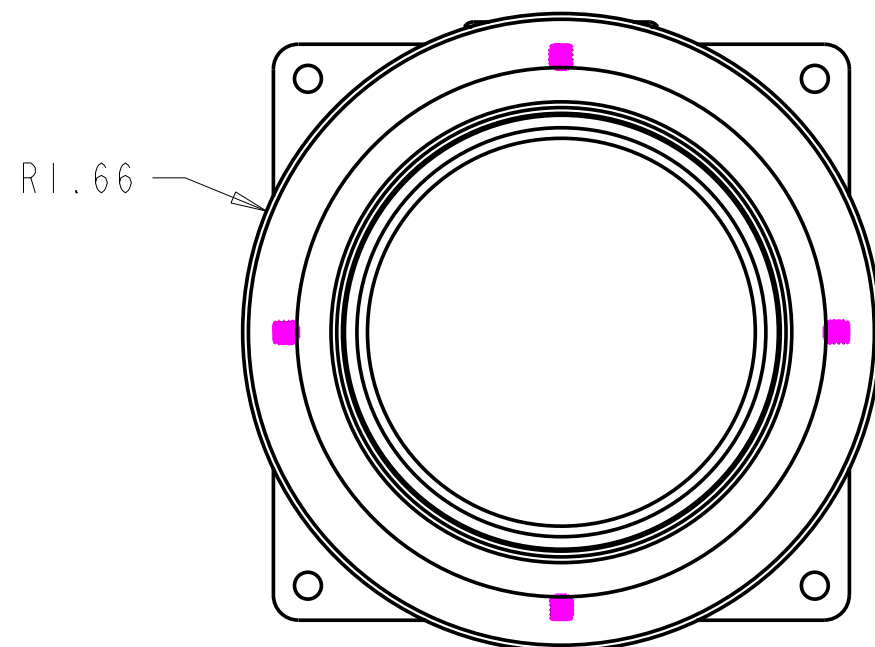
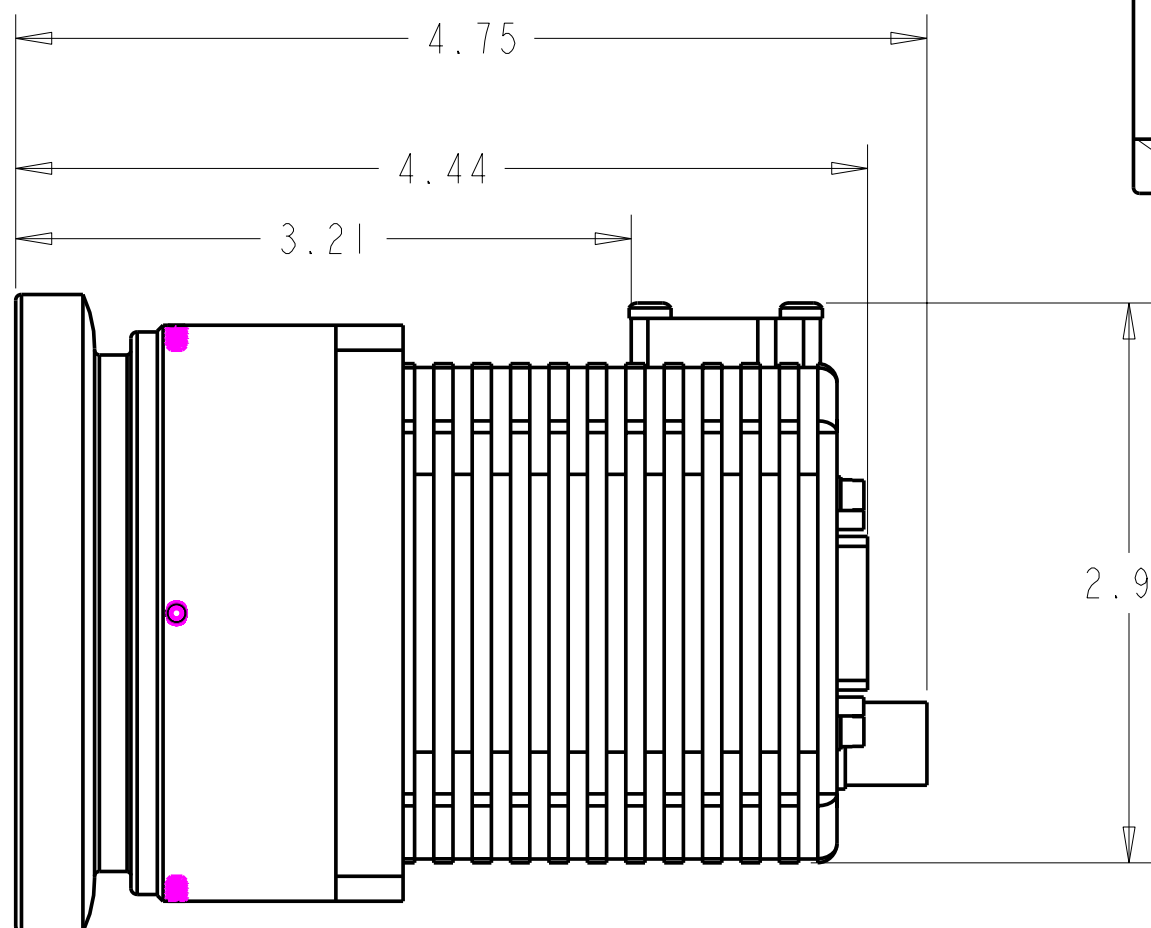
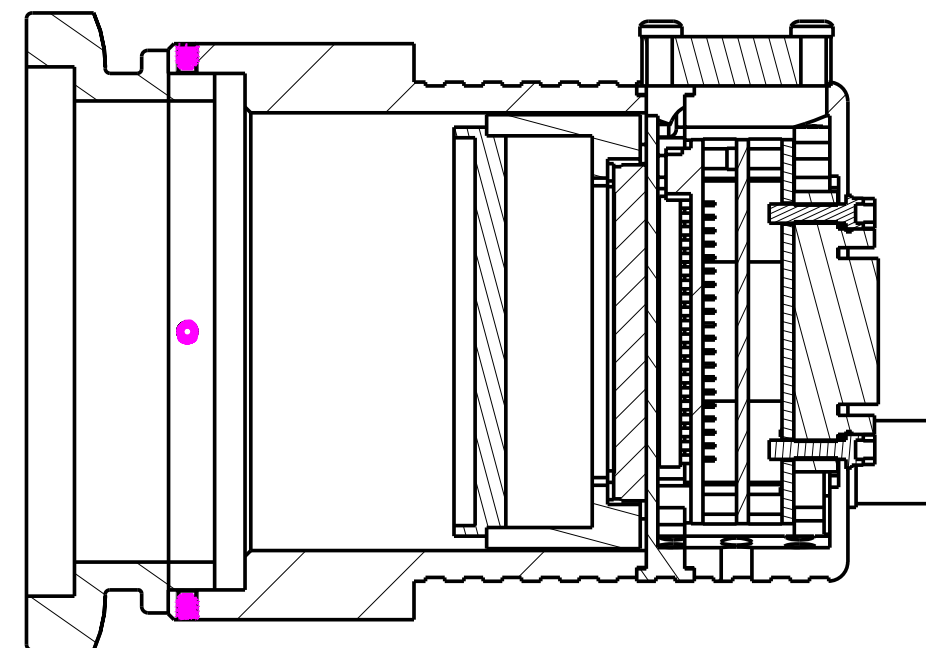
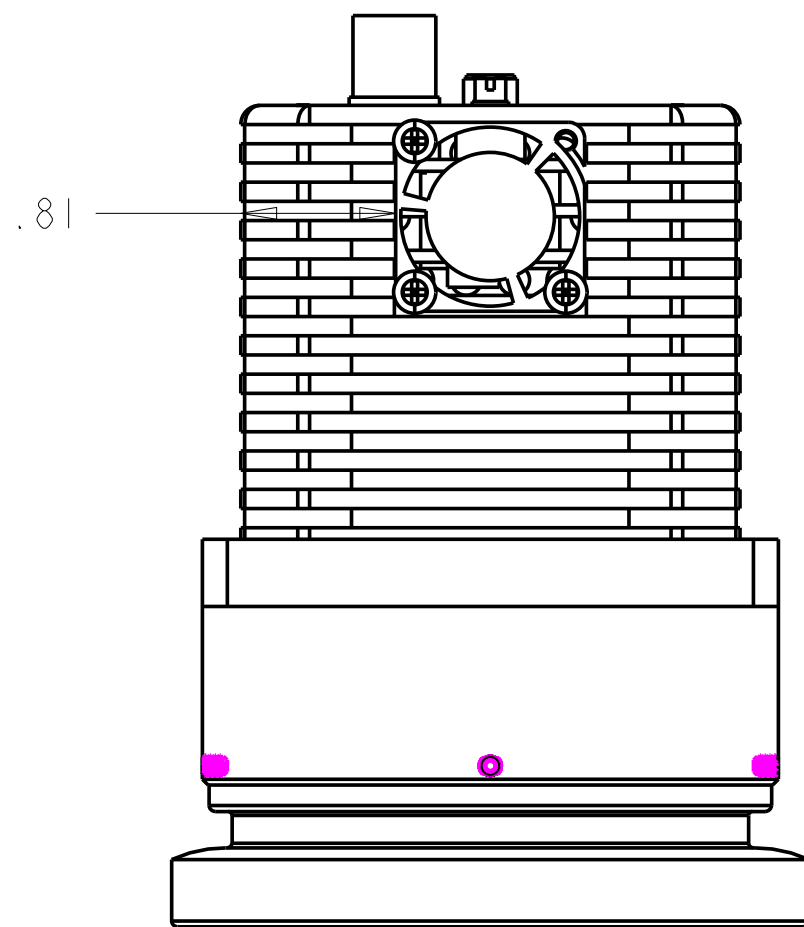
4

3

2

1

REVISIONS			
LTR	DESCRIPTION	DATE	APPR
A	Release	10/26/06	STE



UNLESS OTHERWISE NOTED LINEAR DIMS. IN INCHES. TOLERANCES DECIMAL .XX+/- .XXX+/-		CONTRACT NO.		TITLE XMV_11M_VIEWS.MF_HASSY_890118	
FINISH ANGULAR +/-		DRAWN STE			
DO NOT SCALE DRAWING		CHECK STE			
TREATMENT		DES STE			
FINISH		ENGR STE		DWG SIZE C	
NEXT ASSY USED ON		O.A. STE		CAGE CODE	
APPLICATION		MFG. STE		DWG NO. 890118	
WEIGHT		DESIGN ACTIVITY STE		REL. DATE 10/26/06	
		CUSTOMER		SHEET 1 OF 2	

D

C

DWG NO. 890118

SH 1 REV A

A

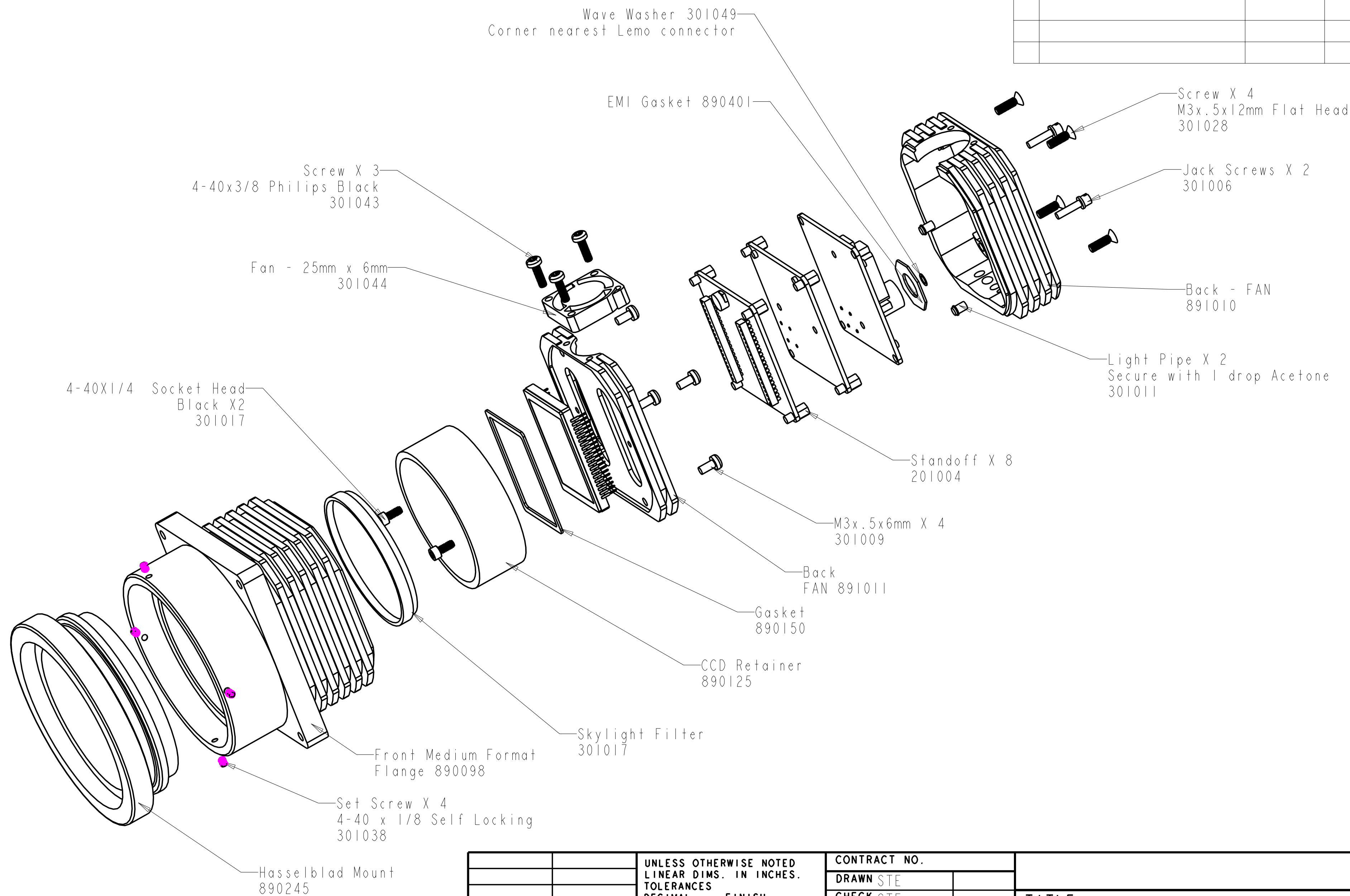
4

3

2

1

REVISIONS			
LTR	DESCRIPTION	DATE	APPR



		UNLESS OTHERWISE NOTED LINEAR DIMS. IN INCHES. TOLERANCES DECIMAL .XX+/- .XXX+/-	CONTRACT NO.				
		FINISH ANGULAR +/-	DRAWN STE	TITLE			
		DO NOT SCALE DRAWING	CHECK STE	XMV_11M_VIEWS_MF_HASSY_890118			
		TREATMENT	DES STE				
			ENGR STE				
			O.A. STE				
			MFG. STE				
		FINISH	DESIGN ACTIVITY STE	DWG SIZE C	CAGE CODE	DWG NO. 890118	REV. A
NEXT ASSY USED ON		WEIGHT	CUSTOMER	SCALE .000	REL. DATE 10/26/06	SHEET 2 OF 2	
APPLICATION							

D

C

DWG NO. 890118

SH 2 REV A

A