

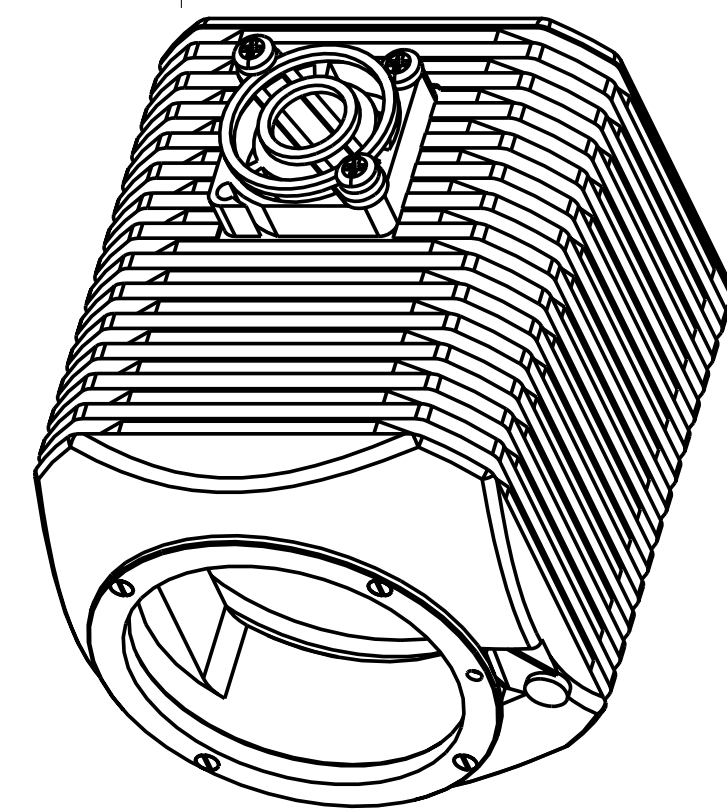
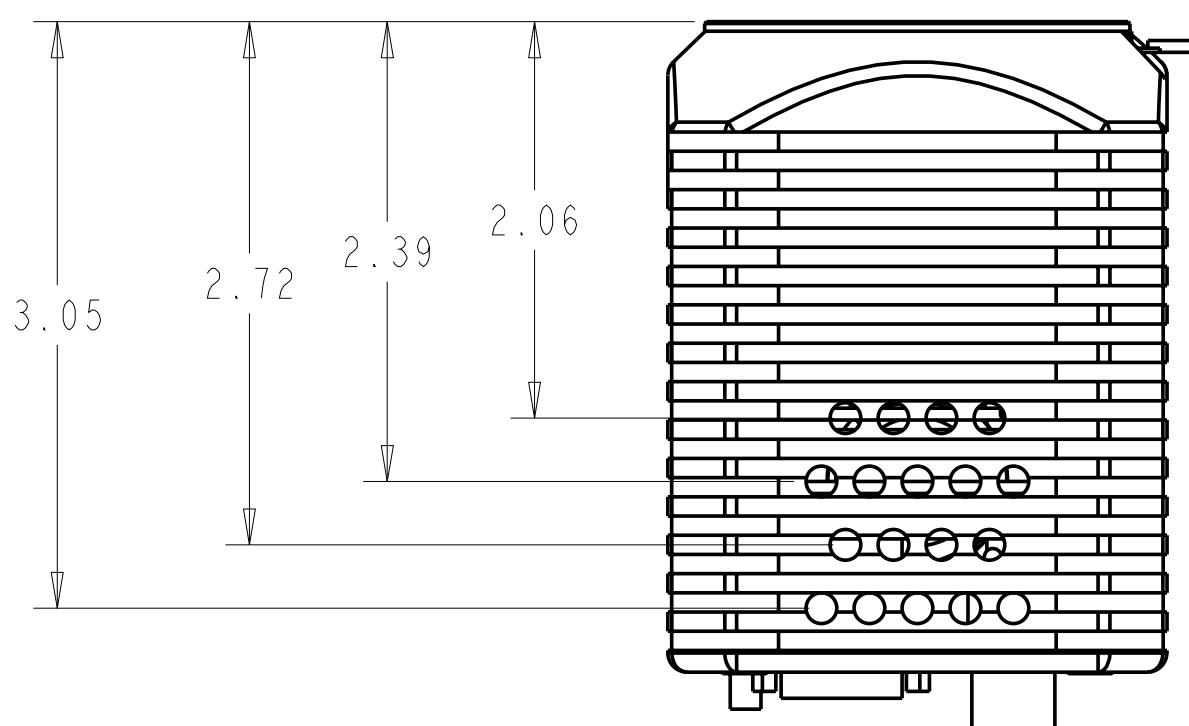
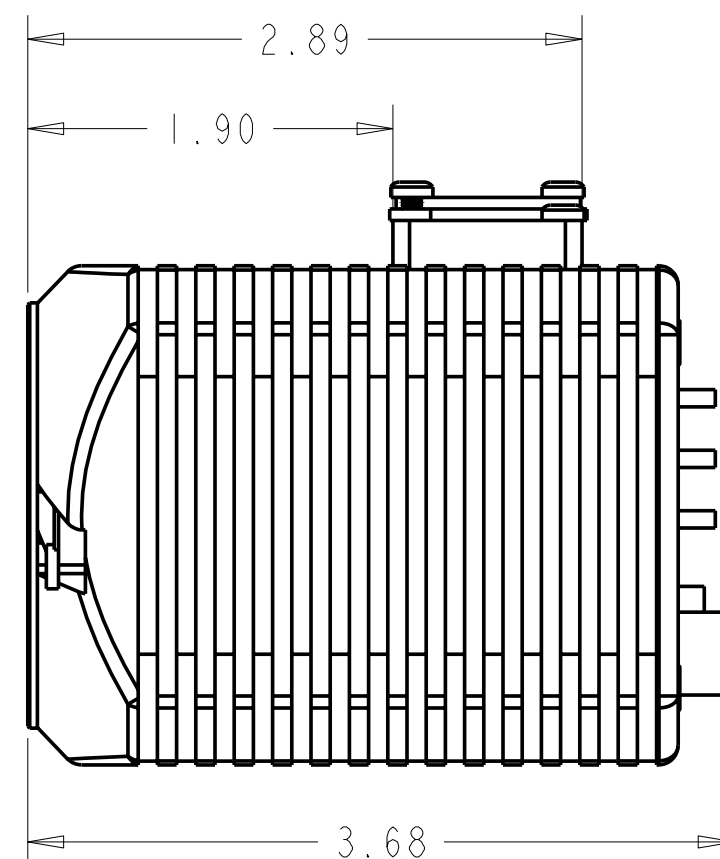
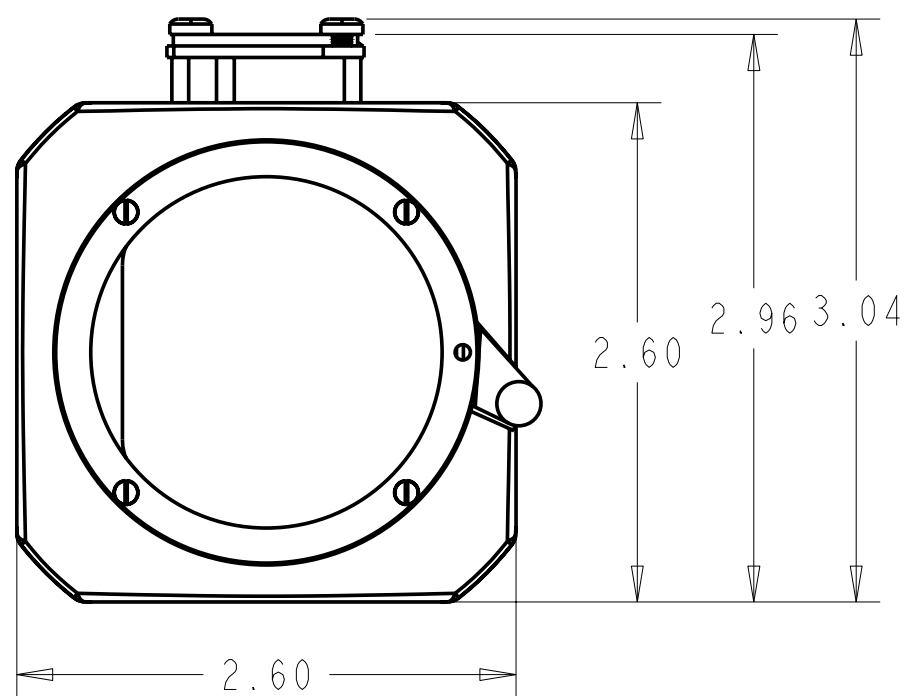
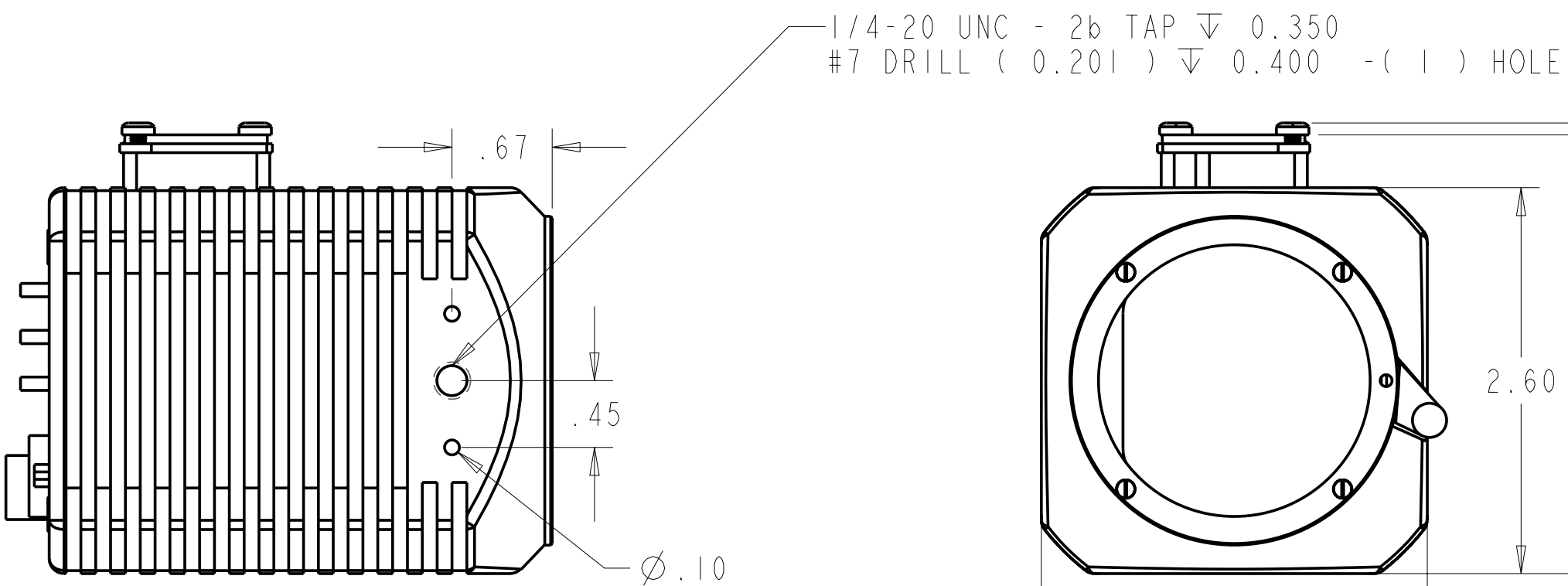
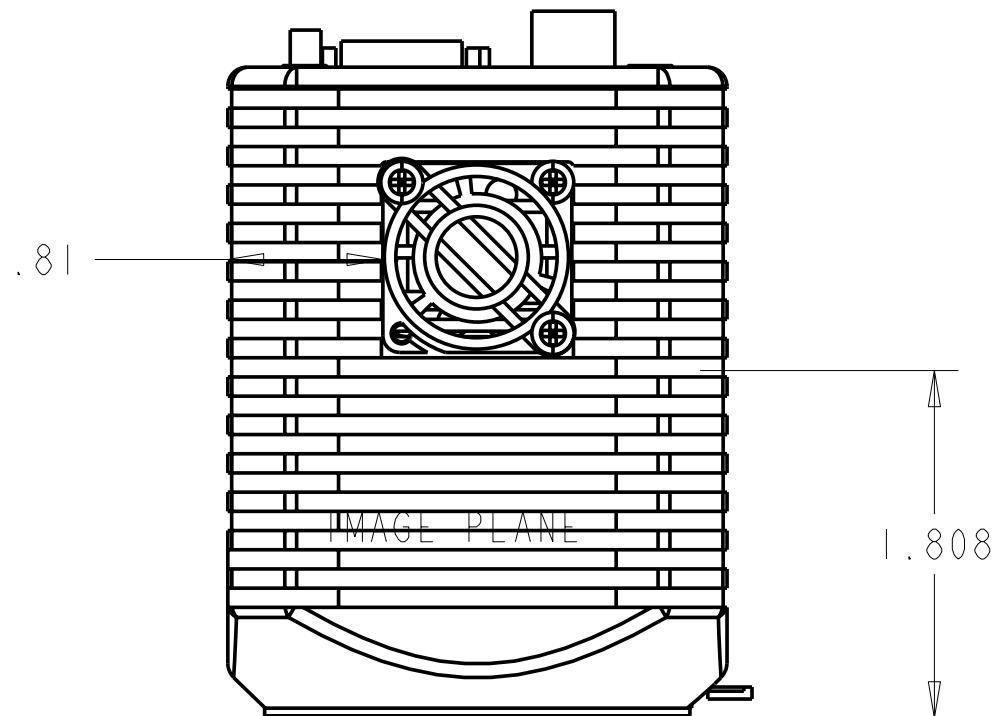
4

3

2

1

REVISIONS			
LTR	DESCRIPTION	DATE	APPR
A	Release	7/19/07	STE



UNLESS OTHERWISE NOTED LINEAR DIMS. IN INCHES. TOLERANCES DECIMAL .XX+/- ANGULAR FINISH ✓ ANGULAR +/- DO NOT SCALE DRAWING TREATMENT		CONTRACT NO.		TITLE XMV.16000.F.MOUNT.STD.890336	
		DRAWN STE			
FINISH		CHECK STE		DWG SIZE C	
		DES STE			
NEXT ASSY USED ON		ENGR STE		CAGE CODE	DWG NO. 890336
		Q.A. STE		REL. DATE	7/19/07
APPLICATION		MFG. STE		DWG NO.	890336
		DESIGN ACTIVITY STE		REV. A	
WEIGHT		CUSTOMER		SCALE .000	SHEET 1 OF 2

D

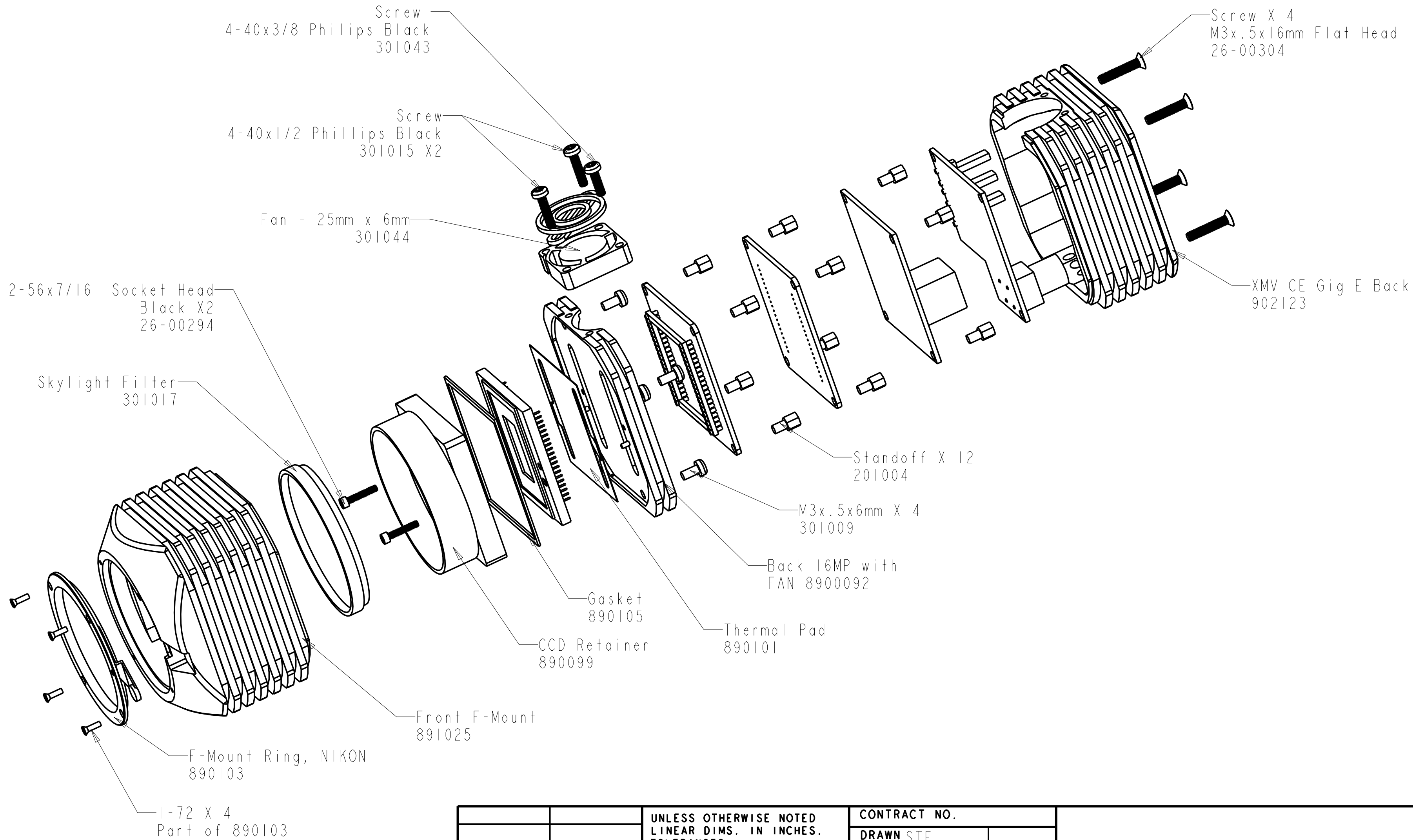
C

DWG NO. 890336

SH 1 REV A

A

REVISIONS			
LTR	DESCRIPTION	DATE	APPR



UNLESS OTHERWISE NOTED LINEAR DIMS. IN INCHES. TOLERANCES DECIMAL .XX+/- .FINISH ANGULAR .XXX+/- +/- DO NOT SCALE DRAWING TREATMENT		CONTRACT NO.		TITLE XMV 16000 F MOUNT STD 890336	
FINISH		DRAWN STE			
NEXT ASSY USED ON		CHECK STE			
APPLICATION		DES STE			
WEIGHT		ENGR STE		DWG SIZE C	CAGE CODE
		Q. A. STE		DWG NO. 890336	
		MFG. STE		REV. A	
		DESIGN ACTIVITY STE		SCALE .000	REL. DATE 7/19/07
		CUSTOMER		SHEET 2 OF 2	

D

C

DWG NO. 890336

SH 2 REV A

A