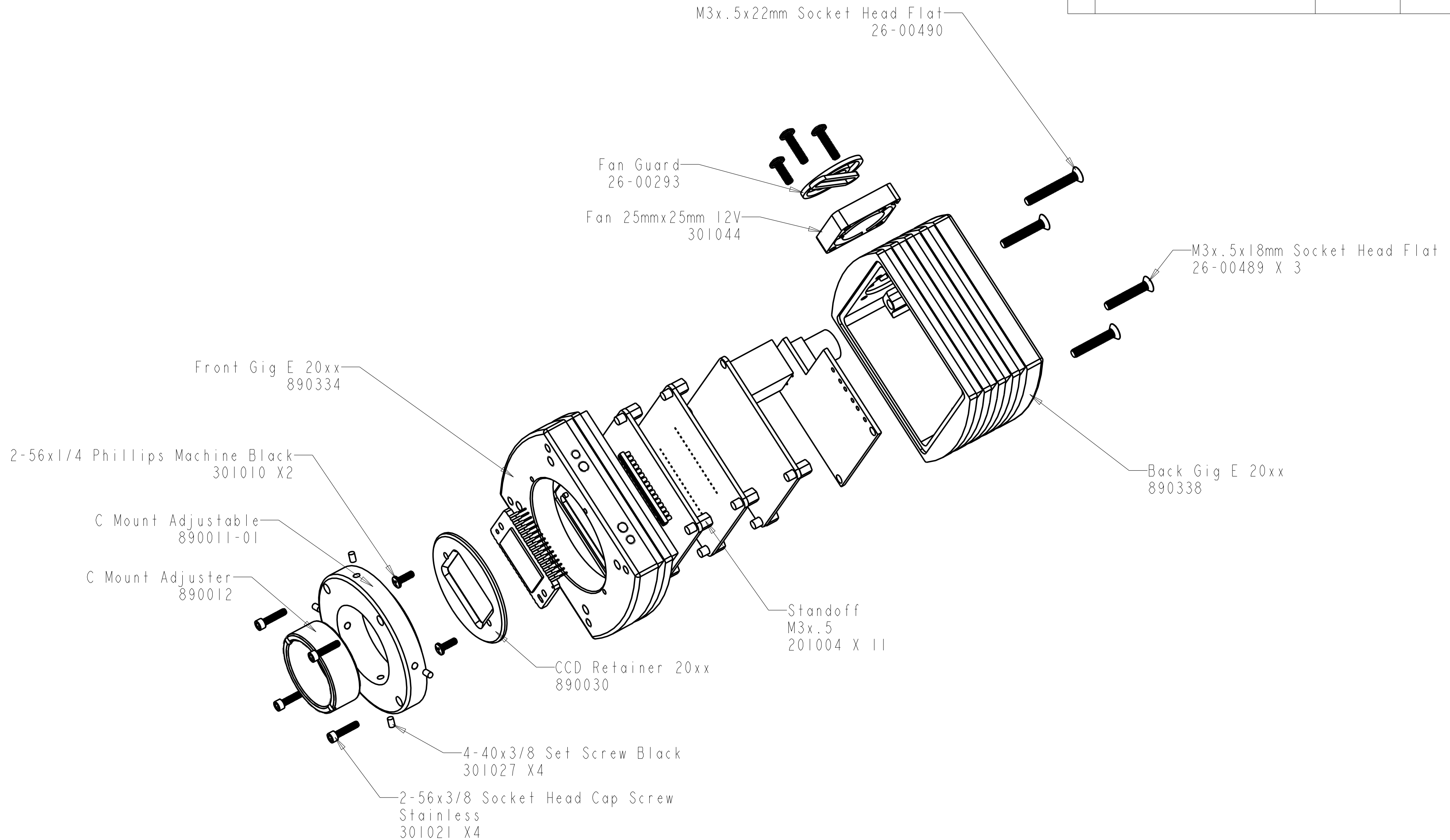


REVISIONS			
LTR	DESCRIPTION	DATE	APPR
A	Release	12/14/07	STE



		UNLESS OTHERWISE NOTED LINEAR DIMS. IN INCHES. TOLERANCES DECIMAL .XX +/- 0.01 ANGULAR +/- 0°, 30' .XXX +/- 0.005 DO NOT SCALE DRAWING TREATMENT	CONTRACT NO.	Illinois CONFIDENTIAL			
			DRAWN STE	TITLE GIG E 20XX EXPLODED 902121			
			CHECK STE				
			DES STE				
			ENGR STE				
			O.A. STE				
			MFG. STE				
		FINISH	DESIGN ACTIVITY STE	DWG SIZE C	CAGE CODE	DWG NO. 902121	REV. A
NEXT ASSY USED ON		WEIGHT	CUSTOMER	SCALE .000 REL. DATE 12/14/07 SHEET 1 OF 2			
APPLICATION							

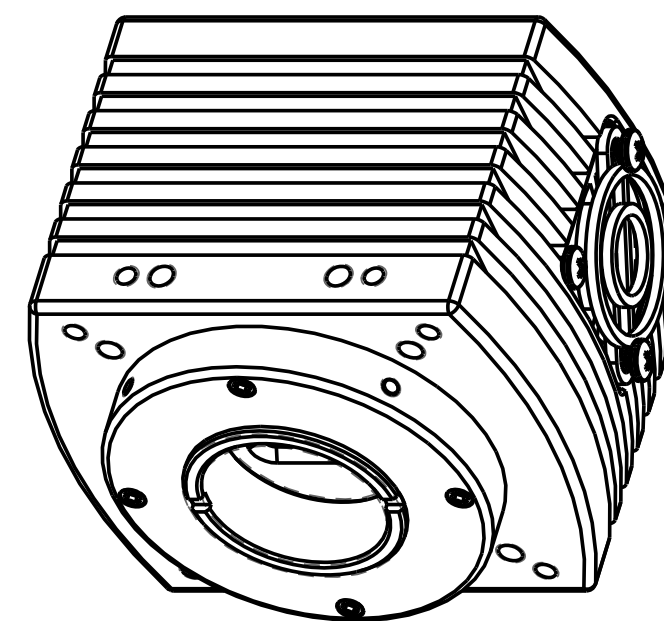
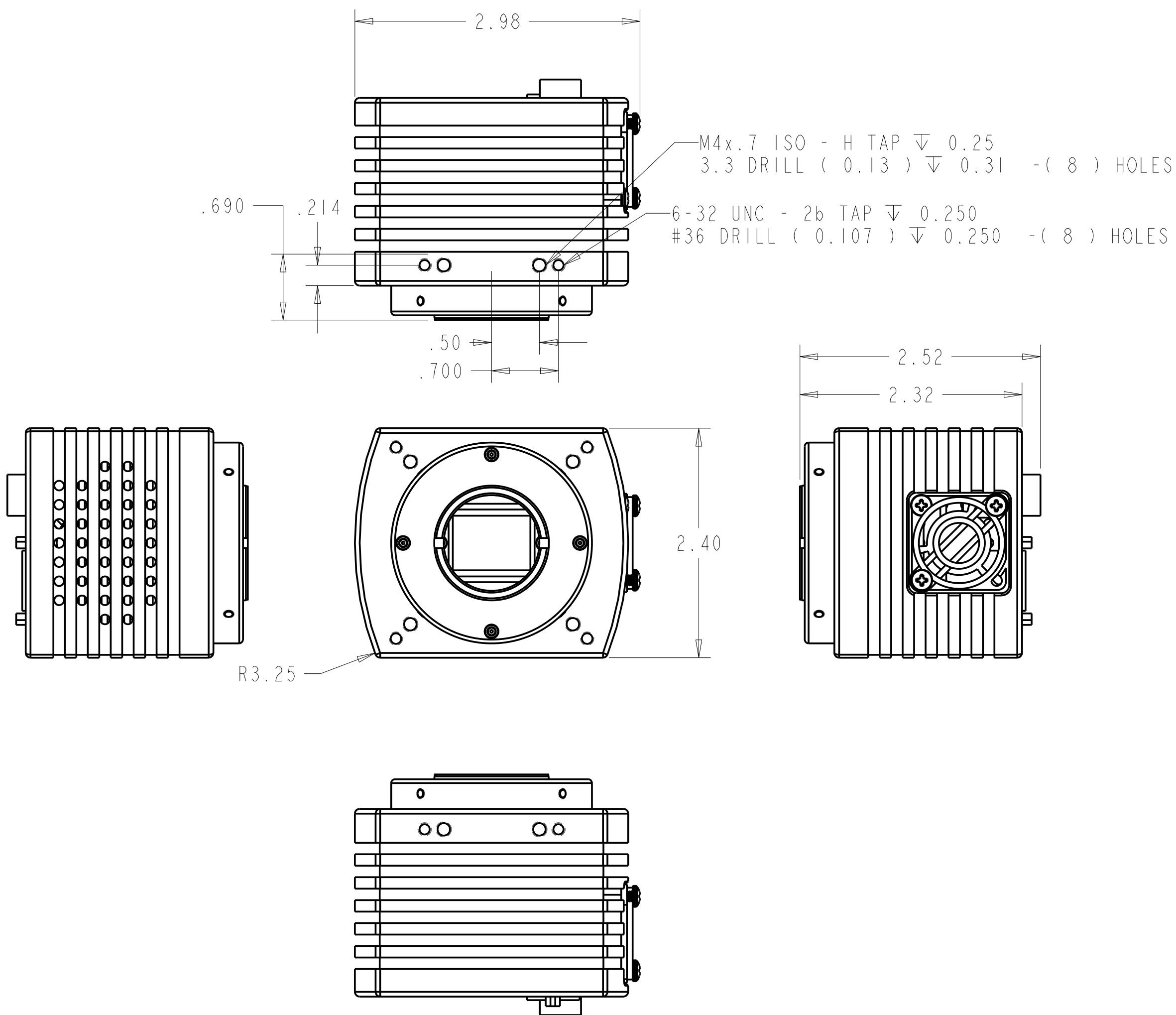
4

3

2

1

REVISIONS			
LTR	DESCRIPTION	DATE	APPR



D

C

A

DWG NO. 902121

SH 2 REV A

A

		UNLESS OTHERWISE NOTED LINEAR DIMS. IN INCHES. TOLERANCES DECIMAL .XX+/- 0.01 ANGULAR +/- 0°, 30' .XXX+/- 0.005 DO NOT SCALE DRAWING TREATMENT	CONTRACT NO.	Illinois CONFIDENTIAL			
			DRAWN STE	TITLE GIG E 20XX EXPLODED 902121			
			CHECK STE				
			DES STE				
			ENGR STE				
			O.A. STE				
			MFG. STE				
		FINISH	DESIGN ACTIVITY STE	DWG SIZE C	CAGE CODE	DWG NO. 902121	REV. A
NEXT ASSY USED ON		WEIGHT	CUSTOMER	SCALE .000 REL. DATE 12/18/07 SHEET 2 OF 2			
APPLICATION							