

SCALE 1.000

REVISIONS			
LTR	DESCRIPTION	DATE	APPR
A	Release	9/20/06	STE
B	Wave Washer	11/28/06	STE
C	4 Set Screws	3/30/07	STE

Light Pipe - Press In
301011 2 Places
Secure with 1 drop acetone

2-56 x 1/4 Phillips
Machine Screw Black
301010 2 Places

Jack Screw
301006 2 Places

M3x.5x12mm Flat Head
Socket Screws 4 Places
301028

XMV 40x0/20x0 Back
890240

Wave Washer 301049
Corner Nearest Lemo Connector

Standoff 201004
8 Places

XMV 40x0/20x0 Front
890241

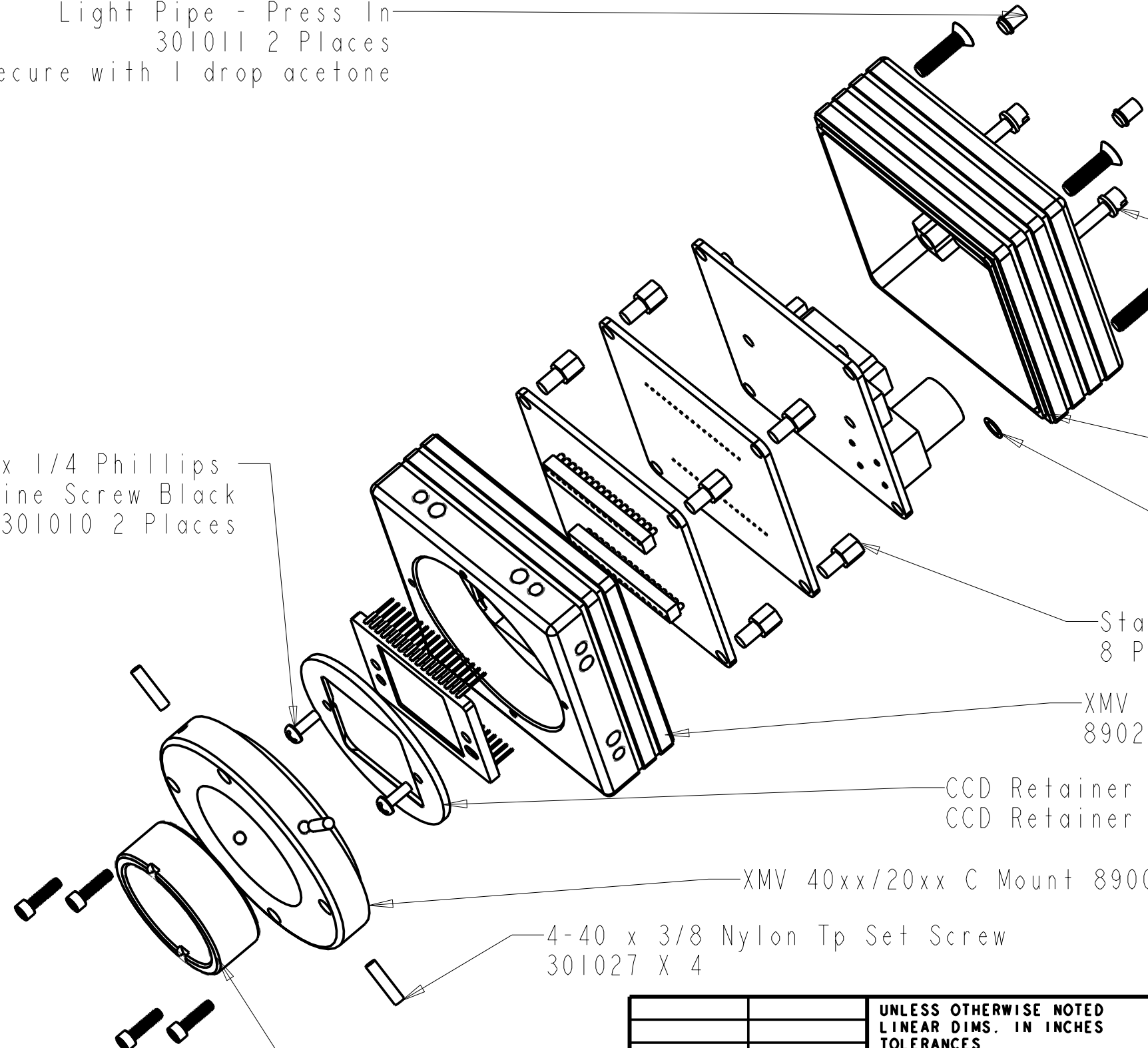
CCD Retainer 890020 (XMV 40xx)
CCD Retainer 890030 (XMV 20xx)

XMV 40xx/20xx C Mount 890011-01

4-40 x 3/8 Nylon Tp Set Screw
301027 X 4

C Mount Adjuster
890012

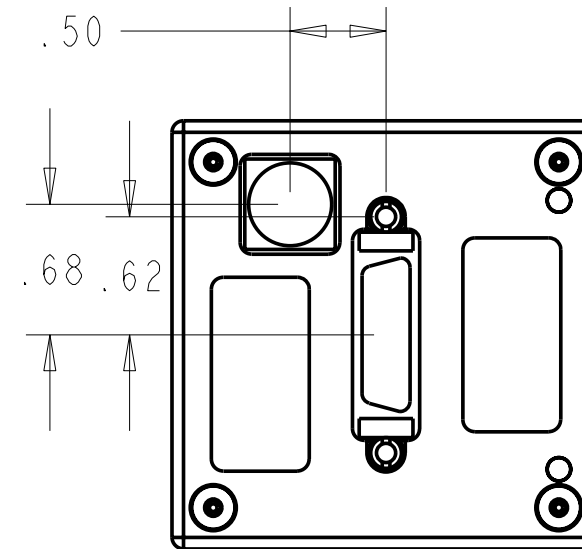
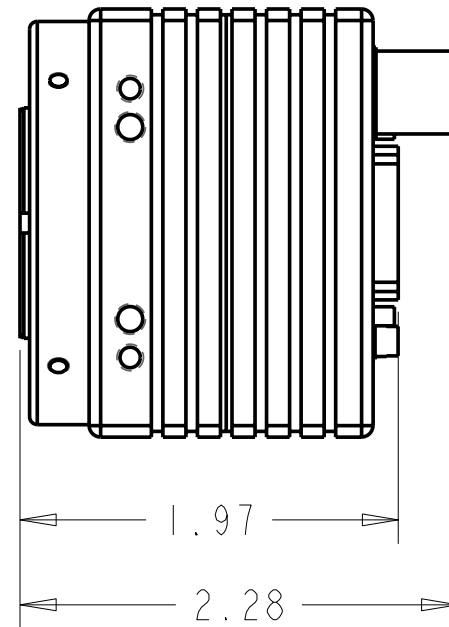
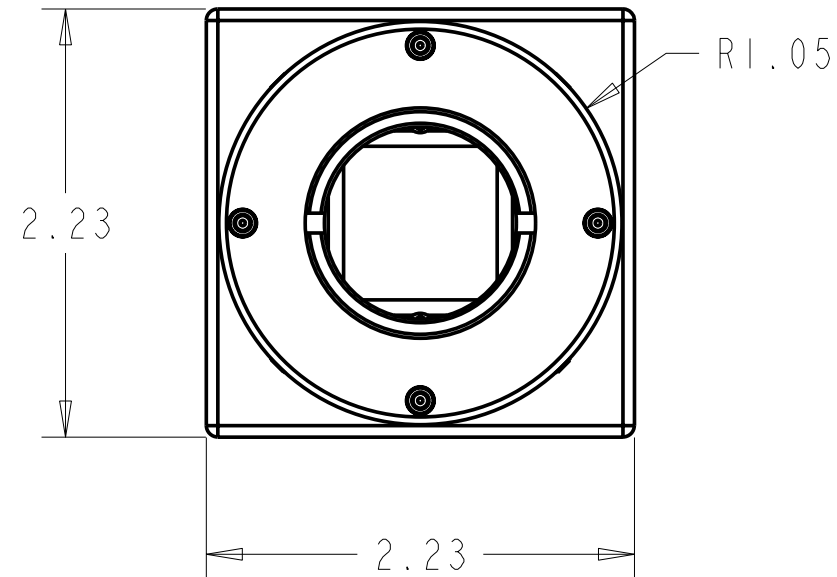
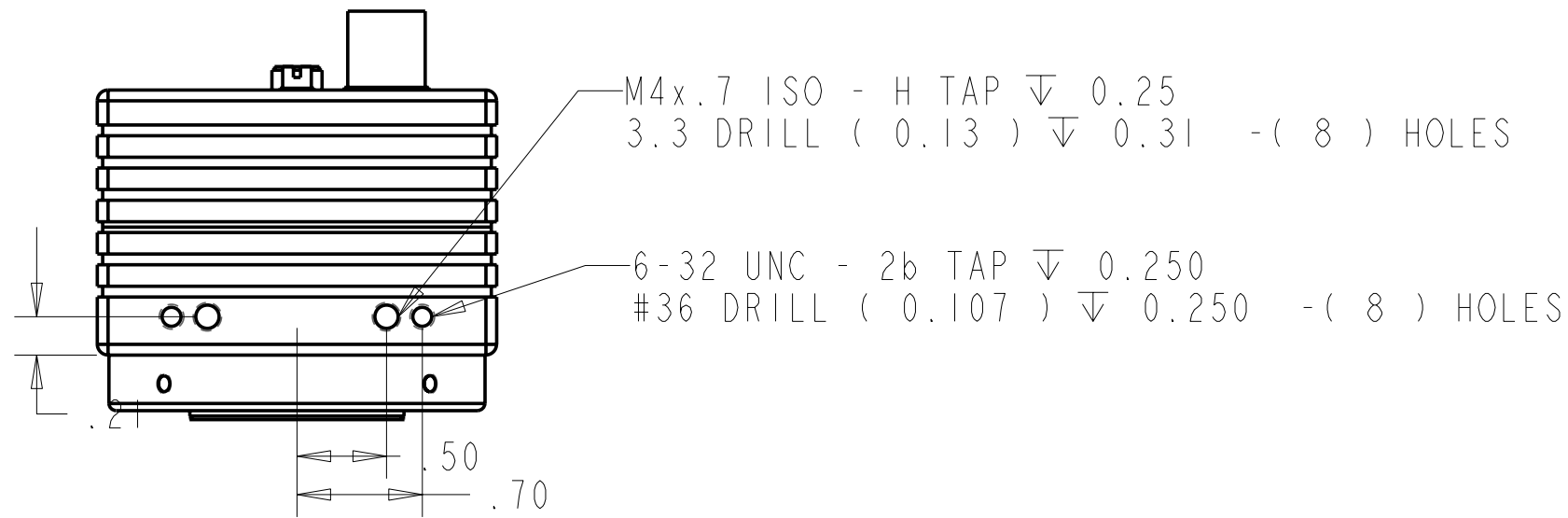
2-56 x 3/8 Socked Head
Cap Screw Stainless
301021 4 Places



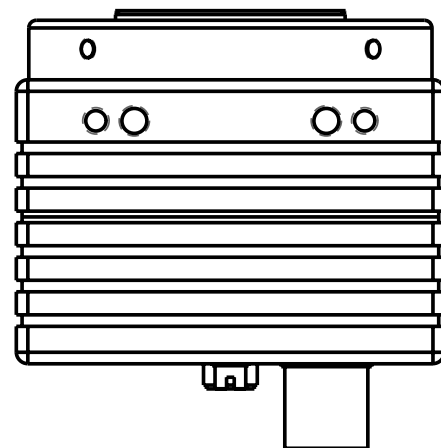
		UNLESS OTHERWISE NOTED LINEAR DIMS. IN INCHES TOLERANCES DECIMAL ANGULAR +/- 1/2 X.X +/- 0.1 X.XX +/- 0.01 X.XXX +/- 0.005	CONTRACT NO.		illunis CONFIDENTIAL			
			DRAWN STE	DATE	TITLE 891202_2PART_CASE_EXPLODED_C			
		CHECK STE		DESIGN STE		DWG NO. 891202		REV C
		ENGR STE		O.A. STE		DWG NO. 891202		
		MFG. STE		DESIGN ACTIVITY APPD STE		DWG SIZE B	REL. DATE 10/19/05	SHEET 1 OF 2
		NEXT ASSY USED ON		CUSTOMER		SCALE 0.333	REL. DATE 10/19/05	SHEET 1 OF 2
		APPLICATION						
		DRAWING FORM						
		DO NOT SCALE DRAWING						

REVISIONS

LTR	DESCRIPTION	DATE	APPR



SCALE 1.000



SCALE 1.000

UNLESS OTHERWISE NOTED LINEAR DIMS. IN INCHES TOLERANCES DECIMAL		CONTRACT NO.		illunis CONFIDENTIAL		
ANGULAR +/- 1/2		DRAWN STE	DATE	TITLE 891202_2PART_CASE_EXPLODED_C		
X.X +/- 0.1		CHECK STE				
X.XX +/- 0.01		DESIGN STE		DWG SIZE B		
X.XXX +/- 0.005		ENGR STE		CODE IDENT NO.		DWG NO. 891202
NEXT ASSY USED ON		O.A. STE		REL. DATE 11/28/06		REV C
APPLICATION		MFG. STE		SHEET 2 OF 2		
DRAWING FORM		DESIGN ACTIVITY APPD STE		SCALE 0.333		
DO NOT SCALE DRAWING		CUSTOMER				