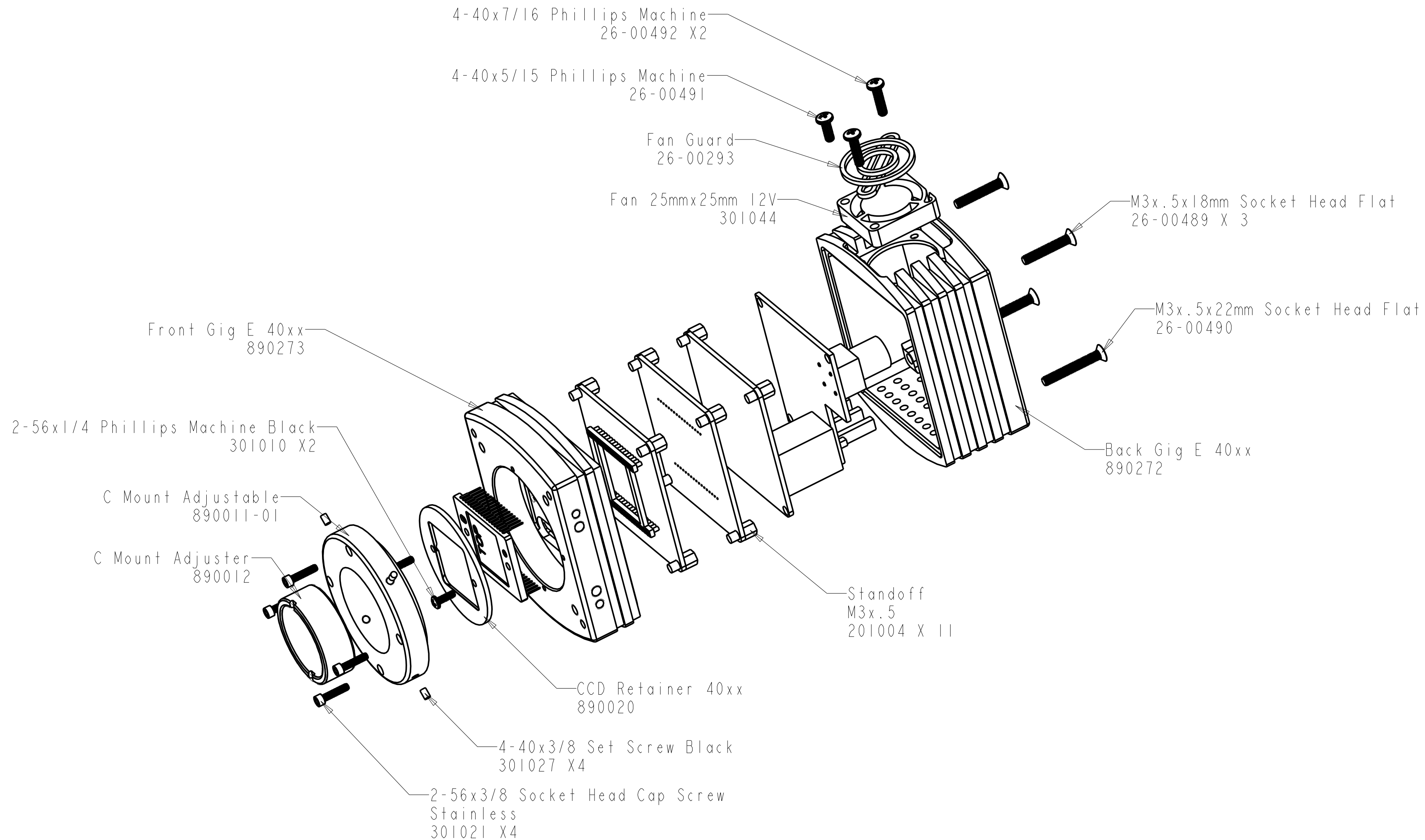


REVISIONS			
LTR	DESCRIPTION	DATE	APPR
A	Release	12/18/07	



		UNLESS OTHERWISE NOTED LINEAR DIMS. IN INCHES. TOLERANCES DECIMAL .XX+/- 0.01 ANGULAR +/- 0°, 30° .XXX+/- 0.005 DO NOT SCALE DRAWING TREATMENT	CONTRACT NO.	Illinois CONFIDENTIAL			
			DRAWN STE	TITLE GIG E 40XX EXPLODED 902120			
			CHECK STE				
			DES STE				
			ENGR STE				
			Q. A. STE				
			MFG. STE				
		FINISH	DESIGN ACTIVITY STE	DWG SIZE C	CAGE CODE	DWG NO. 902120	REV. A
NEXT ASSY USED ON	WEIGHT	CUSTOMER	SCALE .000 REL. DATE 12/18/07 SHEET 1 OF 2				
APPLICATION							

D

C

DWG NO. 902120

SH 1 REV A

A

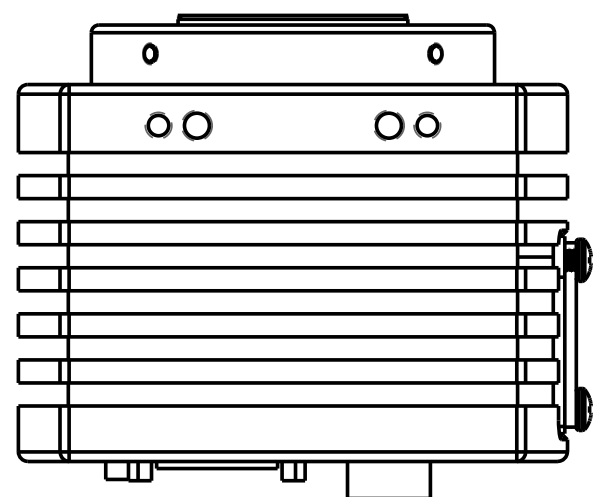
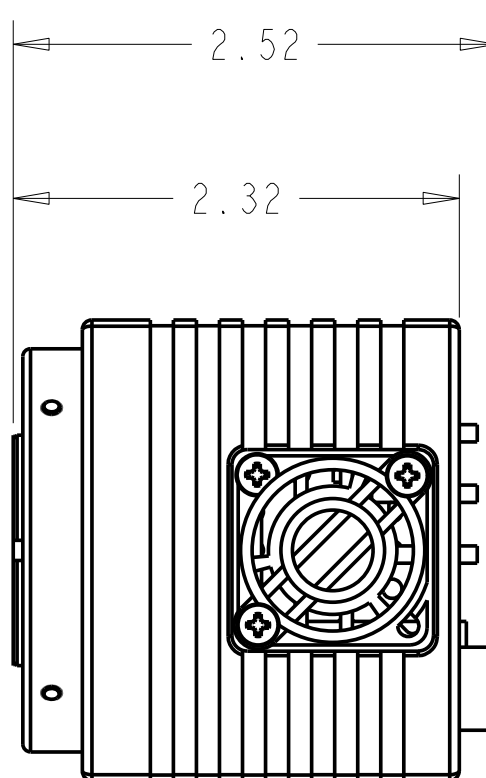
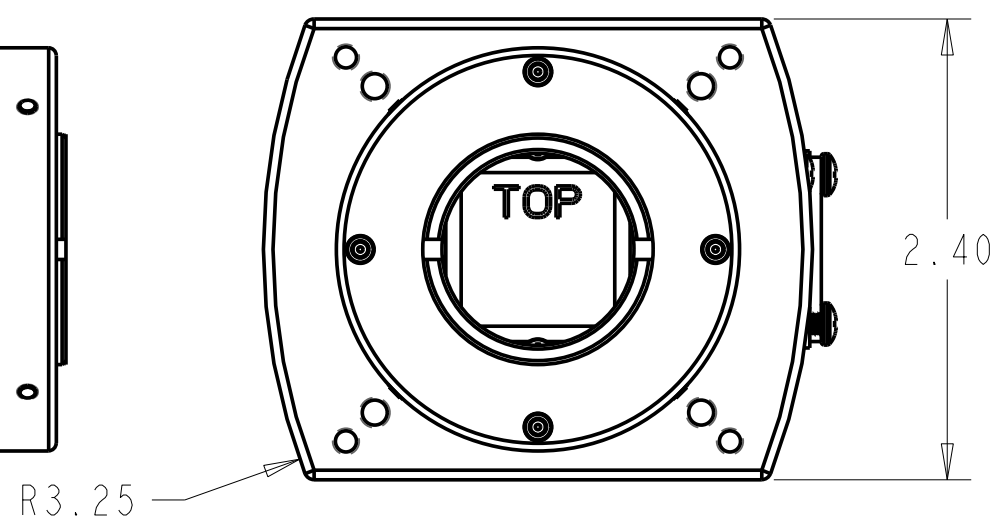
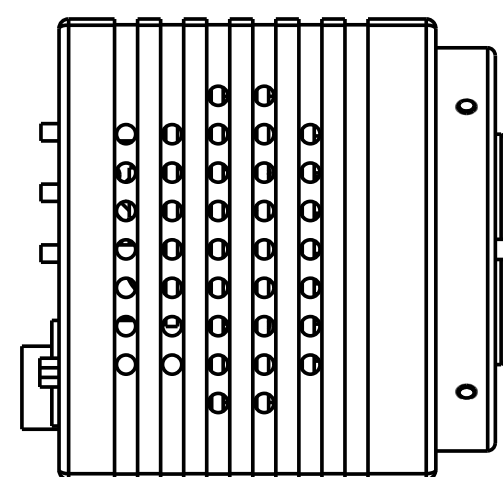
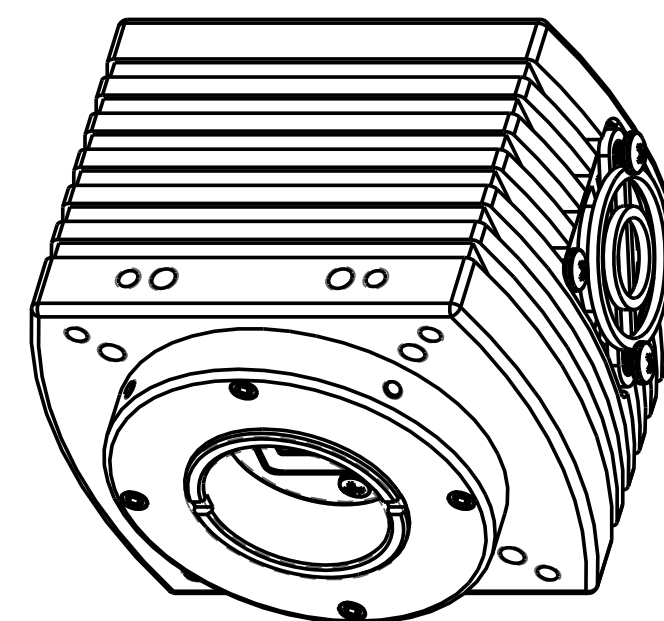
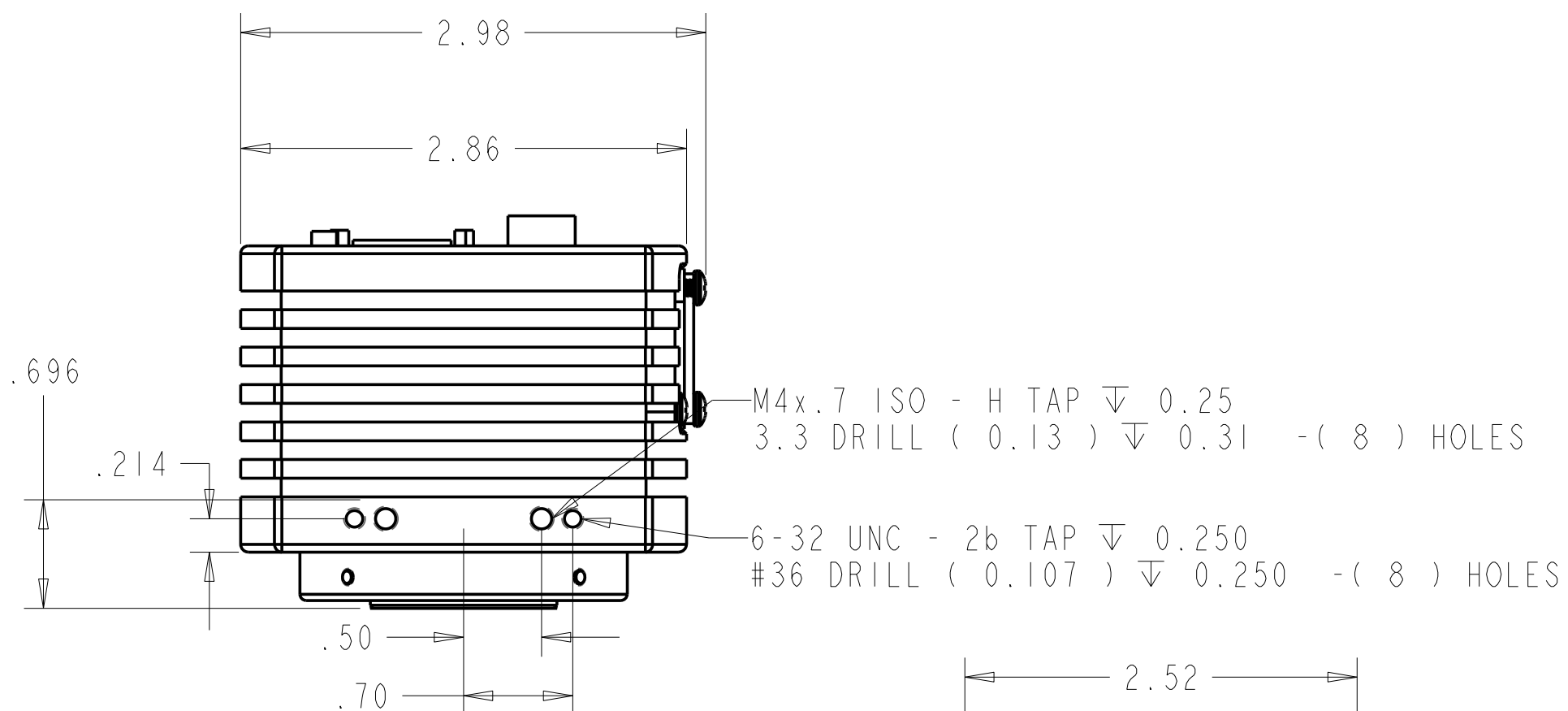
4

3

2

1

REVISIONS			
LTR	DESCRIPTION	DATE	APPR



UNLESS OTHERWISE NOTED LINEAR DIMS. IN INCHES. TOLERANCES DECIMAL .XX+/- 0.01 ANGULAR +/- 0°, 30' .XXX+/- 0.005 DO NOT SCALE DRAWING TREATMENT		CONTRACT NO.		Illinois CONFIDENTIAL			
FINISH		DRAWN STE		TITLE GIG E 40XX EXPLODED 902120			
NEXT ASSY USED ON		CHECK STE					
APPLICATION		DES STE					
WEIGHT		ENGR STE					
		O.A. STE		DWG SIZE	CAGE CODE	DWG NO. 902120	REV. A
		MFG. STE		C			
		DESIGN ACTIVITY STE		SCALE .000		REL. DATE 12/18/07	SHEET 2 OF 2
		CUSTOMER					

D

C

DWG NO. 902120

SH 2 REV A

A