

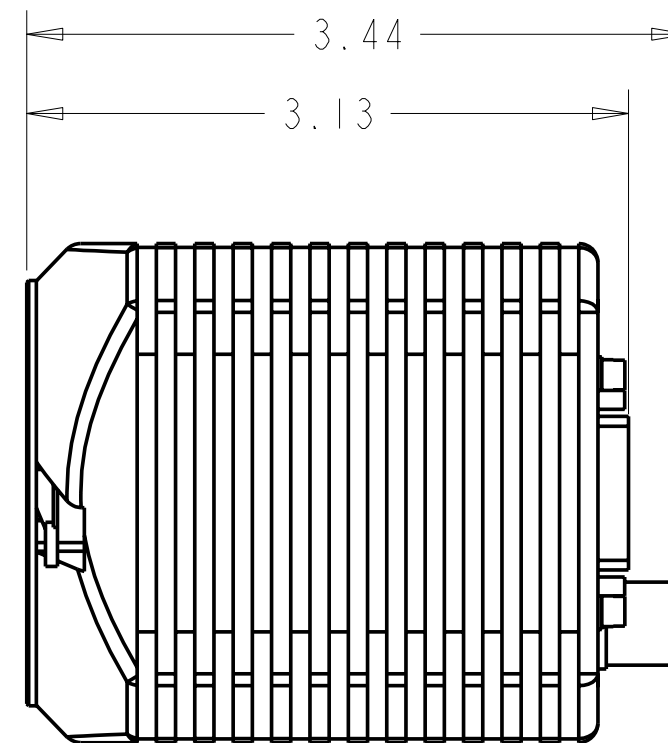
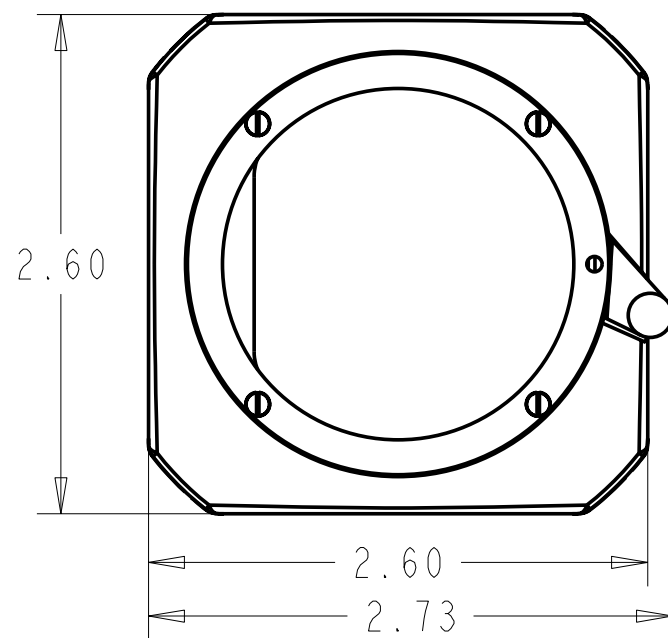
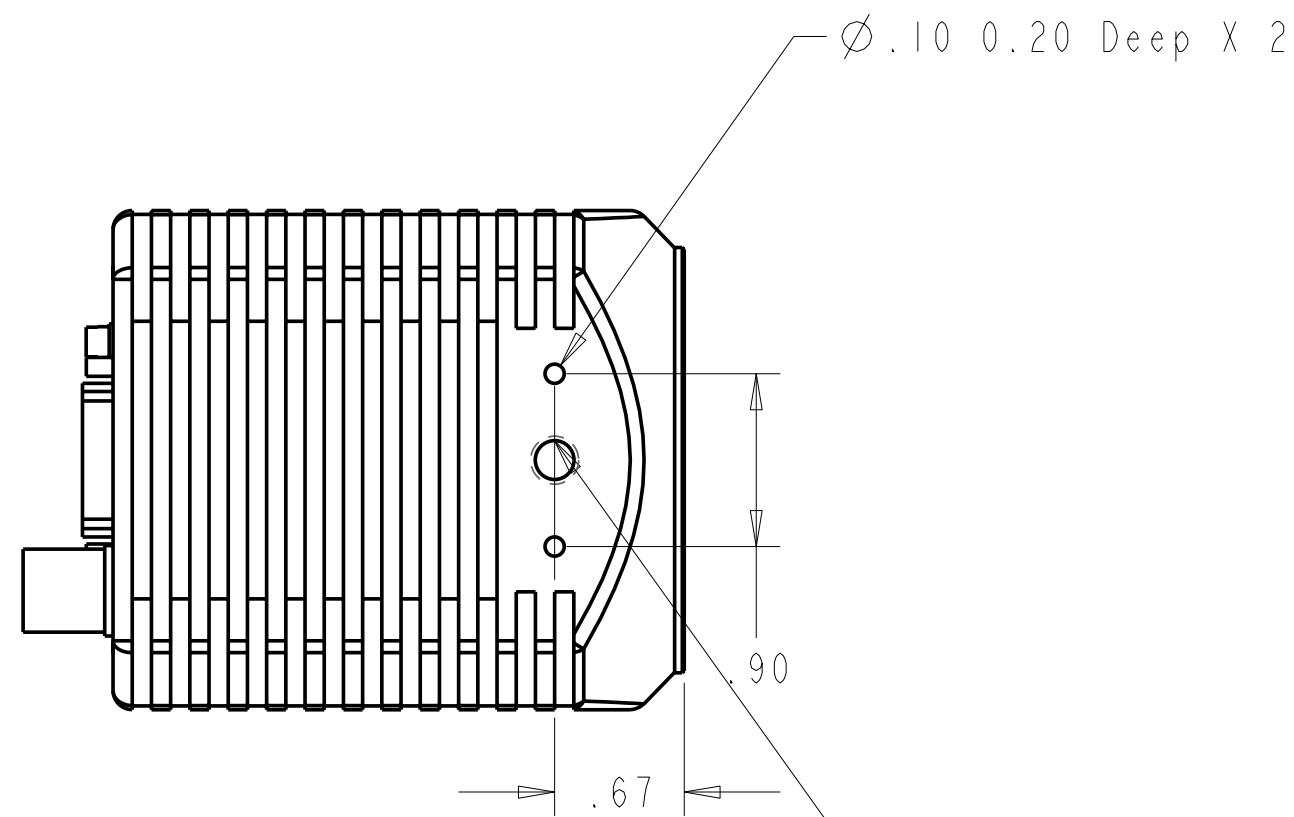
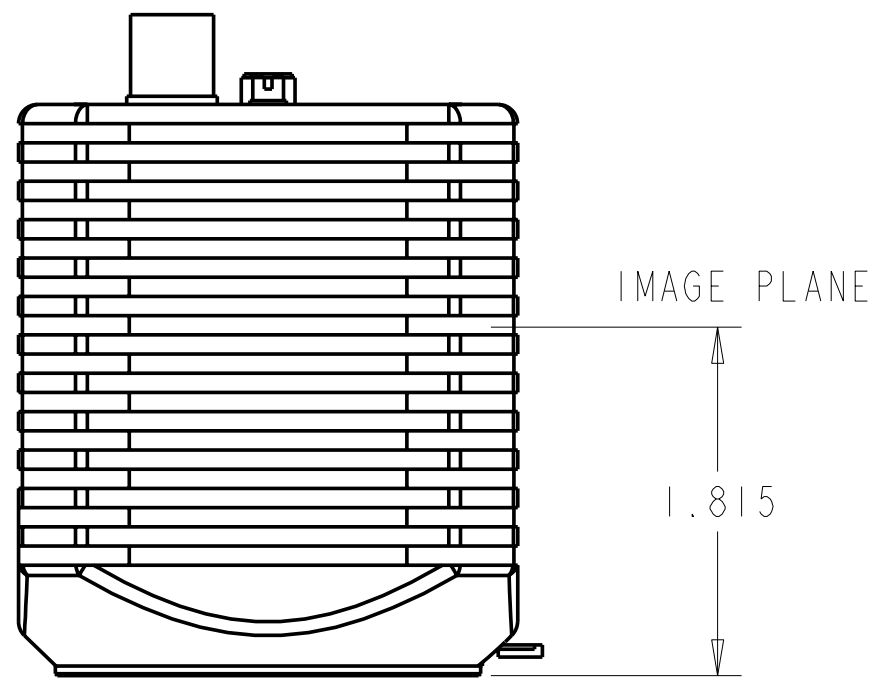
4

3

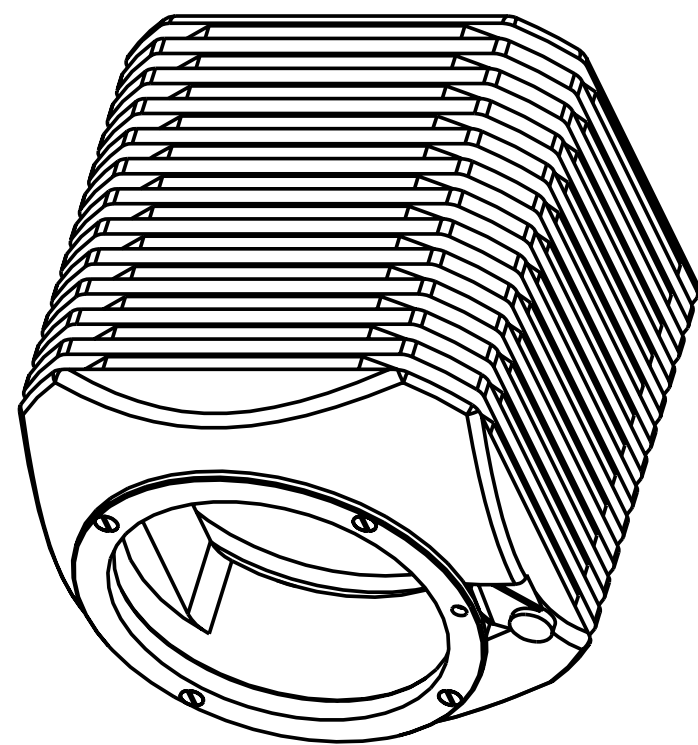
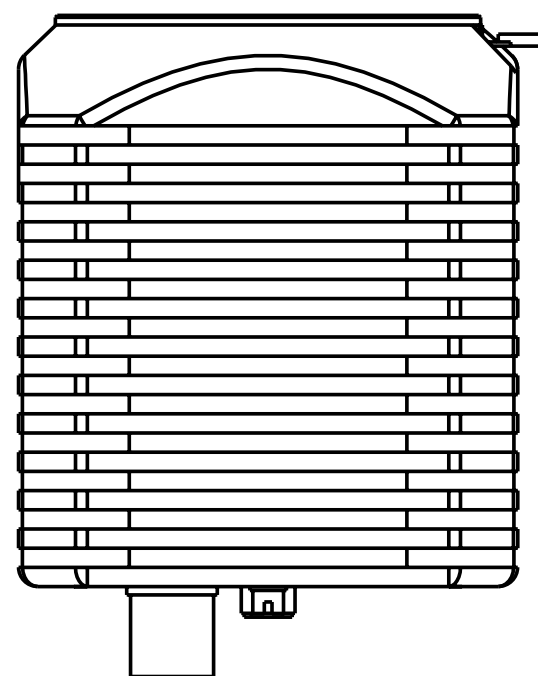
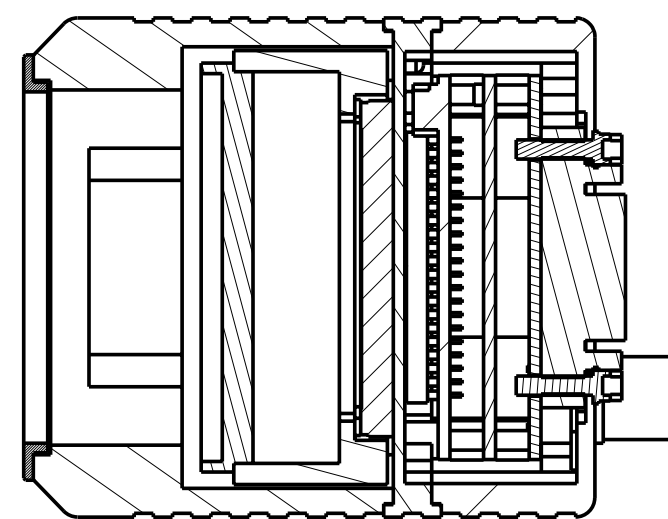
2

1

REVISIONS			
LTR	DESCRIPTION	DATE	APPR
A	Release	10/26/06	STE
B	Wave Washer	11/29/06	STE



1/4-20 UNC - 2b TAP  $\nabla$  0.350  
 #7 DRILL ( 0.201 )  $\nabla$  0.400 - ( 1 ) HOLE



UNLESS OTHERWISE NOTED LINEAR DIMS. IN INCHES. TOLERANCES DECIMAL .XX+/- .XXX+/-		CONTRACT NO.		TITLE  XMV.11M.STD.F.890119.B	
		DRAWN STE			
DO NOT SCALE DRAWING TREATMENT		CHECK STE		DWG SIZE C	
		ENGR STE			
FINISH		DES STE		CAGE CODE	
		O.A. STE			
NEXT ASSY USED ON		MFG. STE		DWG NO. 890119	
		DESIGN ACTIVITY STE			
APPLICATION		CUSTOMER		REV. B	
		WEIGHT			
SCALE .000		REL. DATE 10/25/06		SHEET 1 OF 2	

D

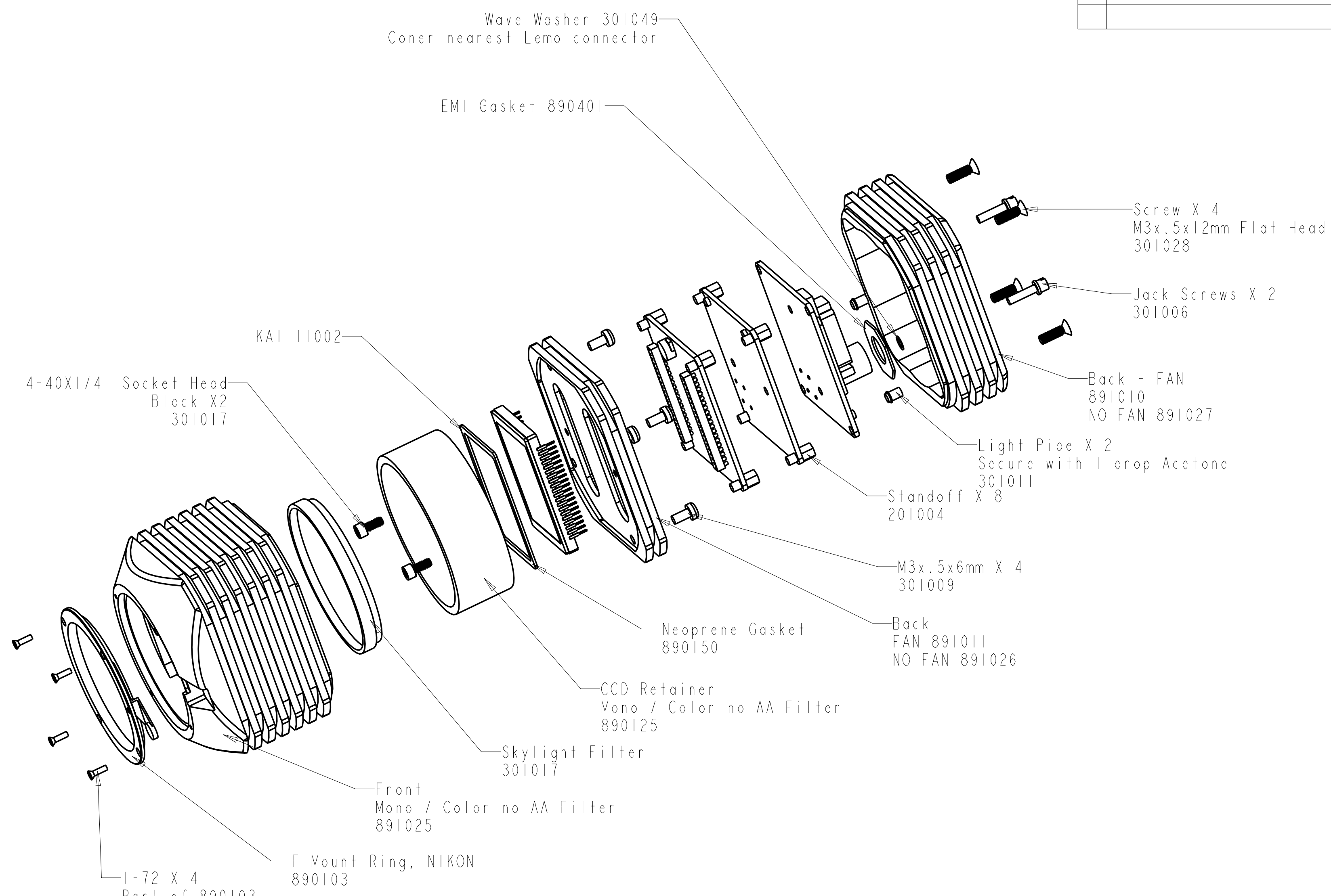
C

DWG NO. 890119

SH 1 REV B

A

REVISIONS			
LTR	DESCRIPTION	DATE	APPR



UNLESS OTHERWISE NOTED LINEAR DIMS. IN INCHES. TOLERANCES DECIMAL .XX+/- .XXX+/- ✓ FINISH ANGULAR +/-		CONTRACT NO.		TITLE		
DO NOT SCALE DRAWING		DRAWN STE				
TREATMENT		CHECK STE				
FINISH		DES STE				
NEXT ASSY USED ON		ENGR STE				
APPLICATION		Q. A. STE		DWG SIZE C	CAGE CODE	
WEIGHT		MFG. STE		DWG NO. 890119		REV. B
		DESIGN ACTIVITY STE		SCALE .000	REL. DATE 6/14/06	SHEET 2 OF 2
		CUSTOMER				

D

C

DWG NO. 890119

SH 2 REV B

A