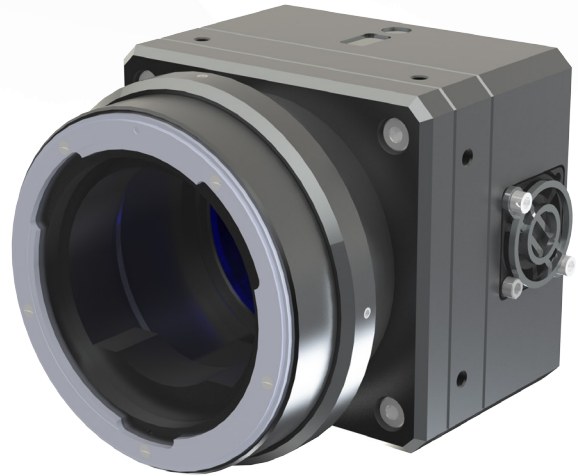
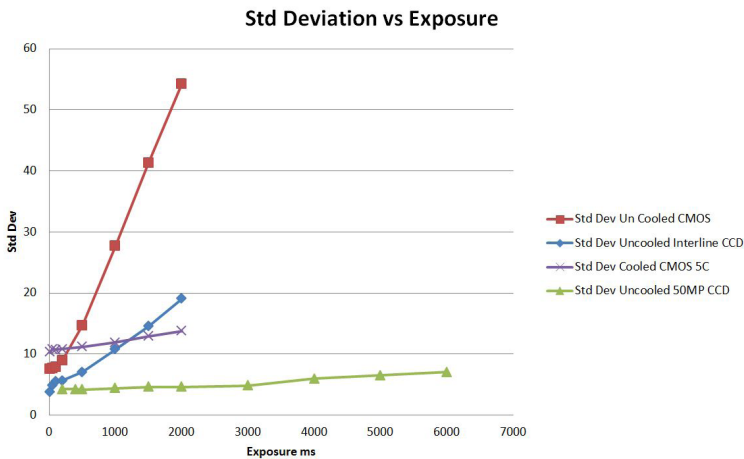




# RMV-50100

Low Noise Full Frame CCD

**8176 X 6132 - 6.0µm PIXEL**



*The RMV-50100 CCD is a 4 tap 50 megapixel digital camera! The RMV-50100 is available in color and monochrome versions and is designed for use in OLED inspection and low light, long exposure applications.*

The RMV-50100 offers outstanding quality by using the ON Semiconductor KAF-50100 Full Frame CCD Image Sensor. This camera offers incredible resolution with additional features such as: 14 bit sampling, advanced triggering and CCD readout control, built in detectors that analyze performance, image processing to remove sensor defects, and on screen tools for analyzing lines, columns, and text overlay.

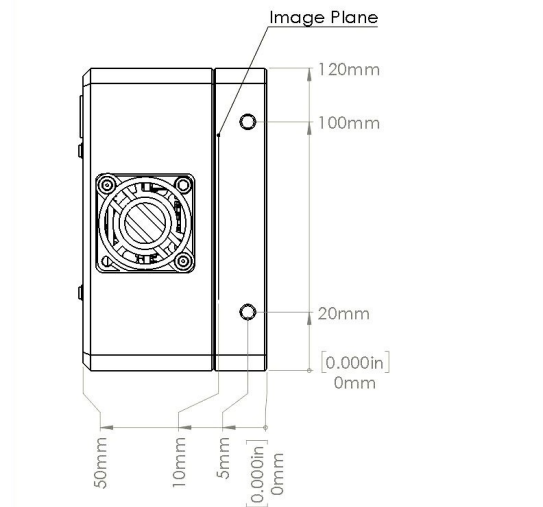
## RMV-50100 HIGHLIGHTS

- ✓ 8176 x 6132 6.0µm active pixels
- ✓ Dimensions 120mm x 120mm
- ✓ Removable Mechanical Shutter
- ✓ 14 bit sampling and 14 bit data path
- ✓ Temperature range 10°C - 50°C
- ✓ Pixel and column defect correction
- ✓ Dynamic Range 70dB
- ✓ Frame Rates 0.6 dual tap, 1.1 fps 4 tap
- ✓ Camera Link Output: Base, USB3, GigE

## RMV-50100 SPECIFICATIONS

<b>Sensor</b>	ON Semiconductor KAF-50100
<b>Architecture</b>	Full Frame
<b>Configuration</b>	Mono, Bayer Color
<b>Active Pixels</b>	8176 (H) x 6132 (V)
<b>Pixels Size</b>	6.0 x 6.0µm
<b>Active Image Size</b>	49.1 x 36.8mm
<b>Sensor Outputs</b>	2 taps, 4 taps Digitized 14 bit Output 14/12/8 bits
<b>Frame Rates (Camera Link)</b>	0.6 fps @ 2 tap, 1.1 fps @ 4 tap
<b>Dynamic Range</b>	70dB
<b>Clock Speed</b>	20 MHz
<b>Full Well Charge</b>	40,000e
<b>Read Noise</b>	12.5e
<b>Signal</b>	42pA/cm <sup>2</sup>
<b>Power</b>	12VDC at 10 W
<b>Exposure Modes</b>	Triggered Program Exposure (TPE) Triggered Manual Exposure (TME) Minimum Exposure = 0.5 ms
<b>Mount Options</b>	M72/OEM, Mamiya 645
<b>Defect Correction</b>	Columns, Pixels
<b>Options</b>	Remotable Shutter

## DIMENSIONS



## APPLICATIONS

- ✓ OLED INSPECTION
- ✓ LOW LIGHT, LONG EXPOSURE
- ✓ LCD FLAT-PANEL INSPECTION
- ✓ BIOMETRICS
- ✓ METROLOGY
- ✓ INTERFEROMETRY

DATA INTERFACE OPTIONS:  
CAMERA LINK, USB3, GigE

All illunis cameras come with our free camera control software, which allows interactive setup of all camera parameters.



# Get in Touch

✉ [info@illunis.com](mailto:info@illunis.com)



### CONTACT US

illunis, LLC  
14700 Excelsior Boulevard  
Minnetonka, MN 55345 USA

☎ +1.952.975.9203  
☎ +1.952.294.8308 (fax)  
✉ [info@illunis.com](mailto:info@illunis.com)  
🌐 [www.illunis.com](http://www.illunis.com)