

Copyright 2019 illunis LLC
 All rights reserved. This material contains CONFIDENTIAL INFORMATION that is the property of illunis LLC. Any use, duplication or disclosure not specifically authorized in writing by illunis LLC is prohibited.

REVISIONS				
ZONE	REV.	DESCRIPTION	DATE	APPROVED
	A	Release	9/30/2019	STE

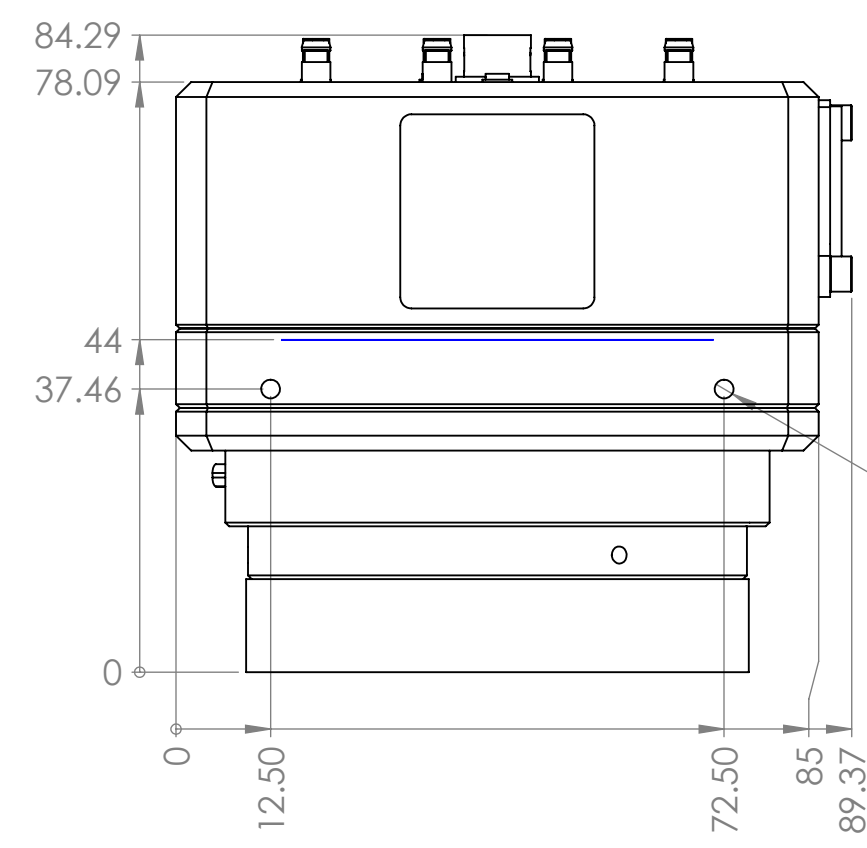
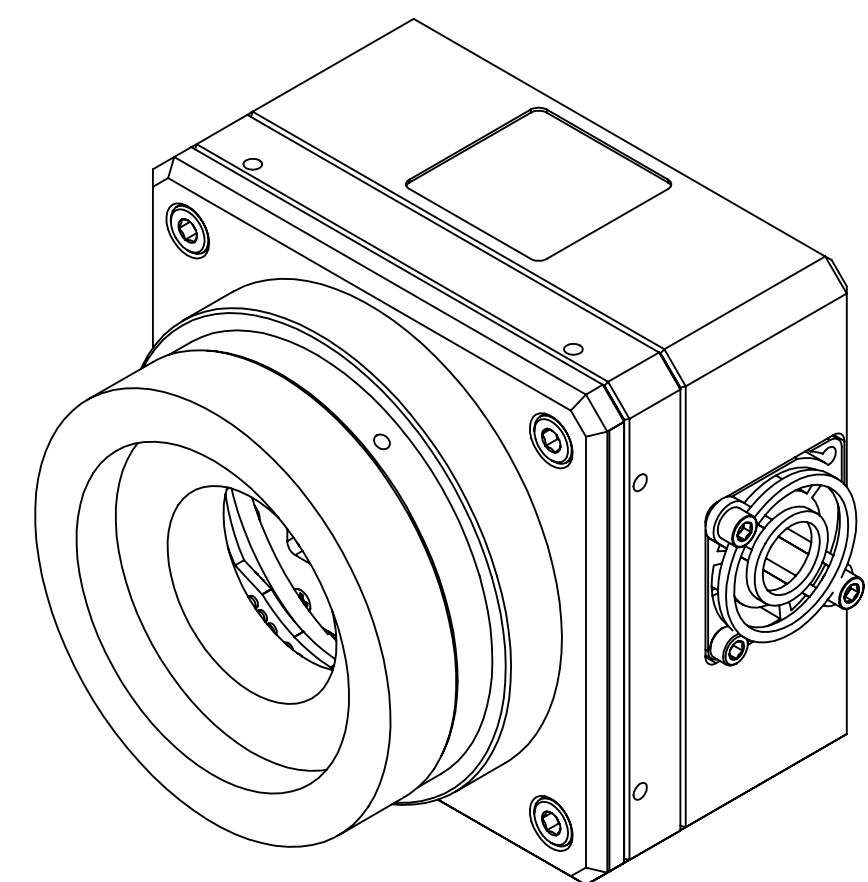
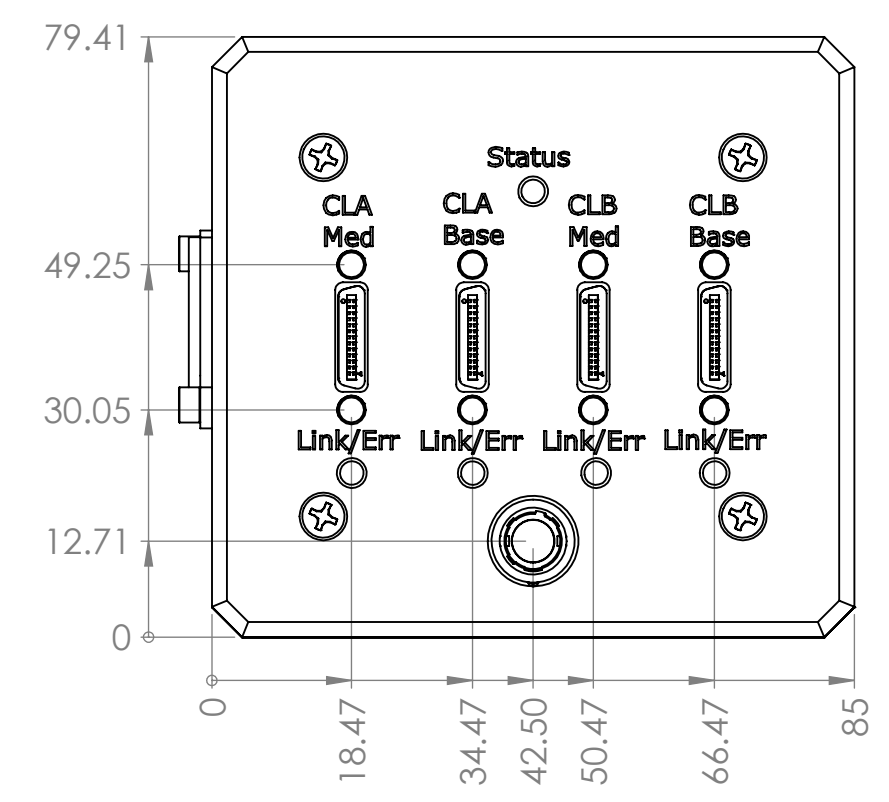
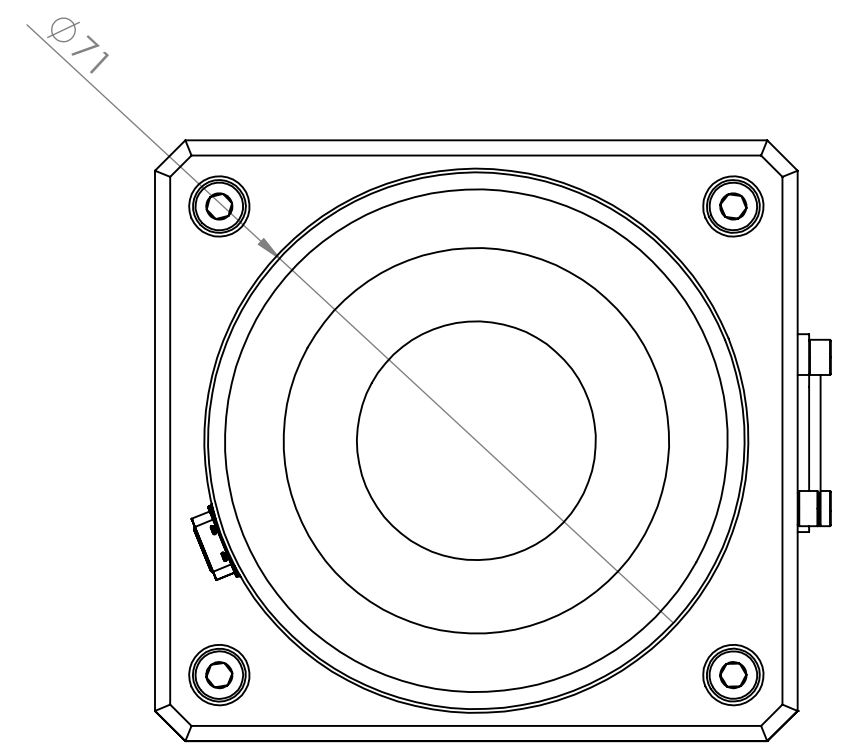
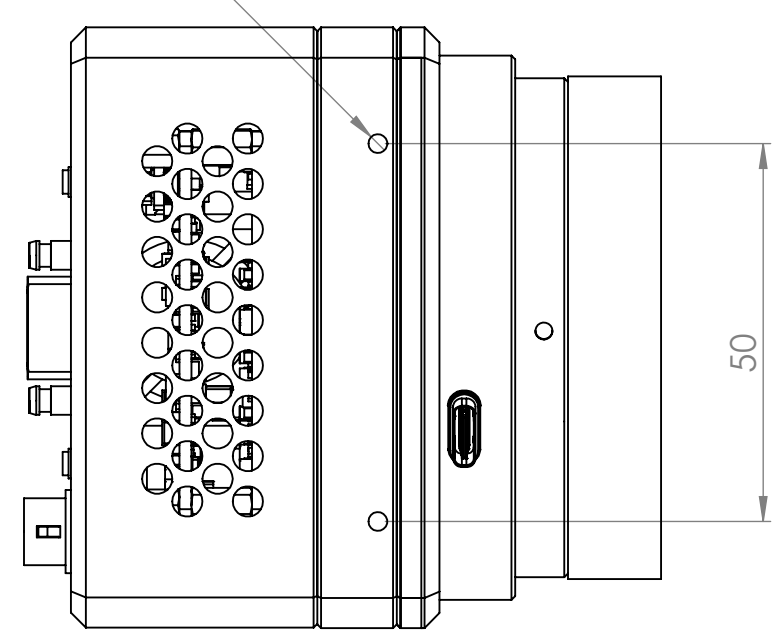


IMAGE PLANE
 4 x \varnothing 2.50 ∇ 7.50
 M3x0.5 - 6H ∇ 6

4 x \varnothing 2.50 ∇ 6.50
 M3x0.5 - 6H ∇ 5



UNLESS OTHERWISE SPECIFIED DIMENSIONS ARE IN mm [in] TOLERANCES ARE: DIMENSIONED ANGLES \pm 0.5°	DECIMAL mm 0-30 \pm .1 31-120 \pm .2 121-350 \pm .4 351-1000 \pm .8	DECIMALS in .X \pm .020 .XX \pm .010 .XXX \pm .005
MACHINING REQUIREMENTS: EDGE BREAKS TO BE 0.2mm [0.015in] MAX REMOVE ALL BURRS AND SHARP EDGES	MATERIAL	DO NOT SCALE DRAWING

BY	DATE
DESIGNED	9/30/2019
DRAWN	9/30/2019
CHECKED	Admin

illunis LLC 14700 Excelsion Blvd Minnetonka, MN 55345 952-975-9203	
TITLE: CMV 50M CL Canon EF	
SIZE C	PART NO.
SCALE: 1:1	WEIGHT:
REV A	SHEET 1 OF 1

