

Copyright 2019 illunis LLC  
 All rights reserved. This material contains CONFIDENTIAL INFORMATION that is the property of illunis LLC. Any use, duplication or disclosure not specifically authorized in writing by illunis LLC is prohibited.

REVISIONS				
ZONE	REV.	DESCRIPTION	DATE	APPROVED
	A	Release	9/30/2019	STE

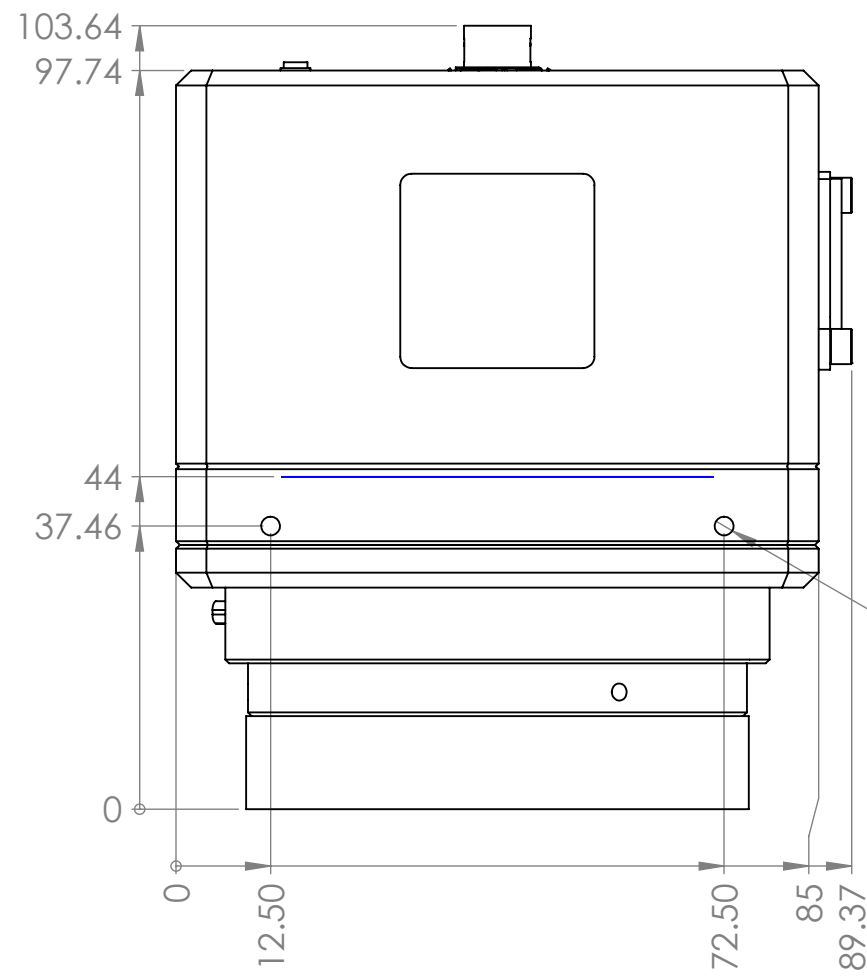
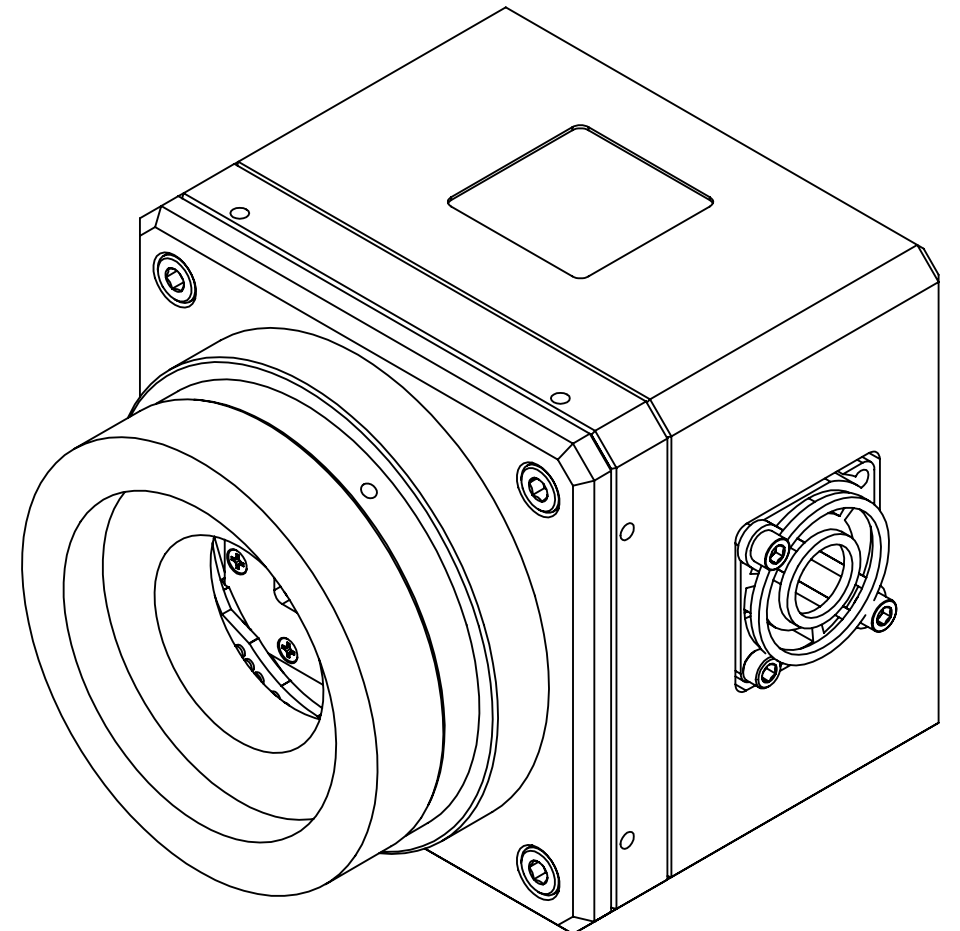
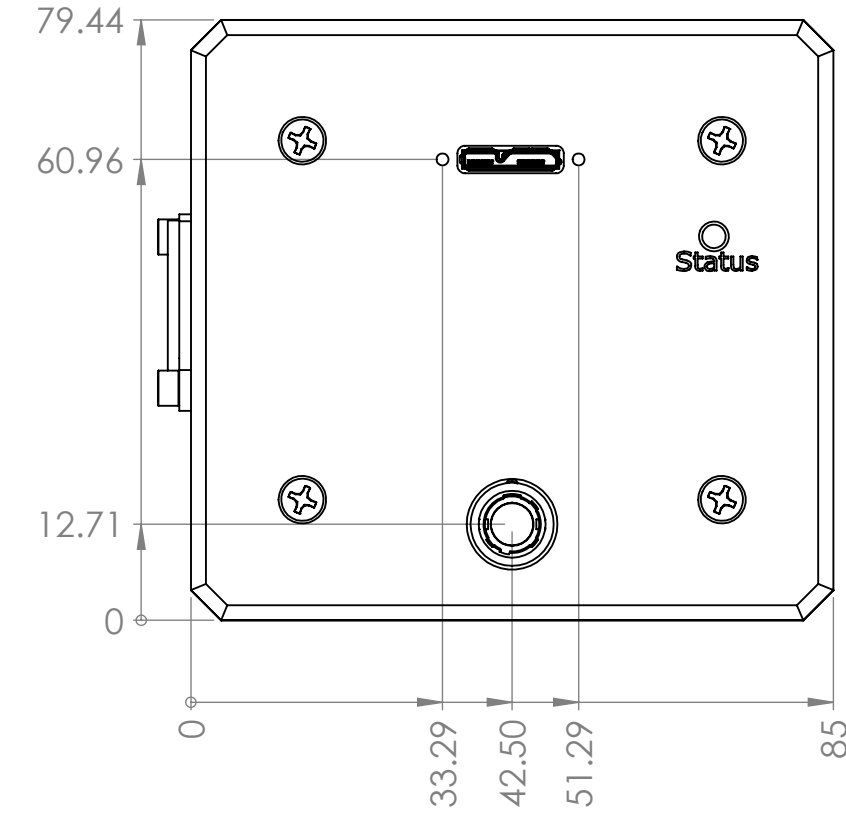
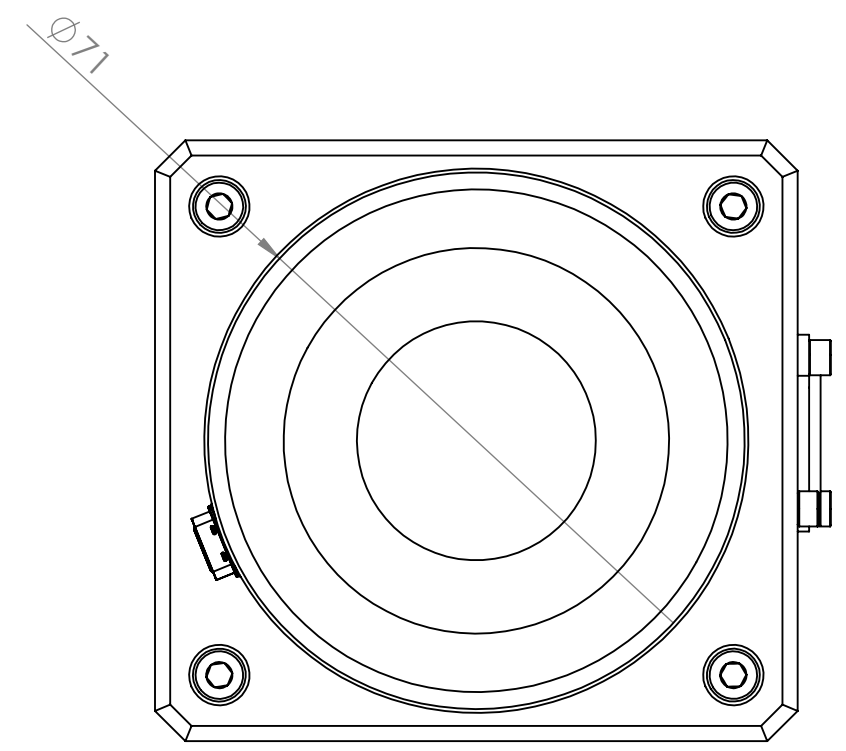
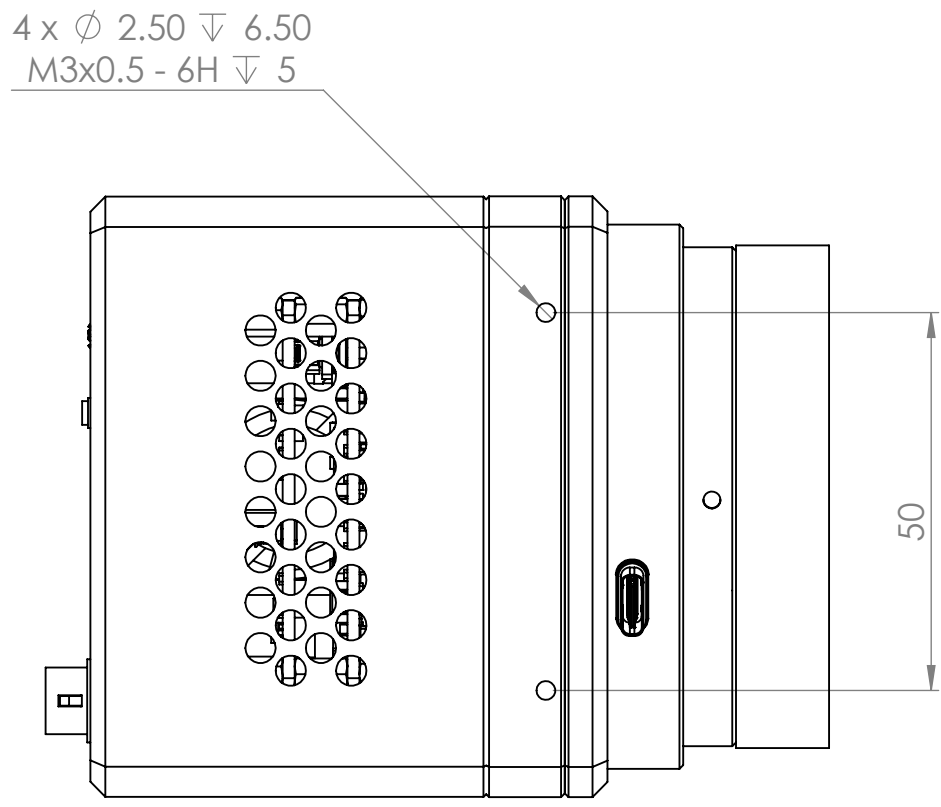


IMAGE PLANE  
 4 x  $\varnothing$  2.50  $\nabla$  7.50  
 M3x0.5 - 6H  $\nabla$  6



UNLESS OTHERWISE SPECIFIED DIMENSIONS ARE IN mm [in] TOLERANCES ARE: DIMENSIONED ANGLES $\pm$ 0.5°		DECIMAL mm 0-30 $\pm$ .1 31-120 $\pm$ .2 121-350 $\pm$ .4 351-1000 $\pm$ .8	DECIMALS in .X $\pm$ .020 .XX $\pm$ .010 .XXX $\pm$ .005	BY DESIGNED DRAWN CHECKED	DATE 9/30/2019 9/30/2019 Admin	illunis LLC 14700 Excelsion Blvd Minnetonka, MN 55345 952-975-9203	TITLE: CMV 50M USB3 Canon EF
MACHINING REQUIREMENTS: EDGE BREAKS TO BE 0.2mm [0.015in] MAX REMOVE ALL BURRS AND SHARP EDGES		MATERIAL		www.illunis.com		SIZE C	PART NO.
DO NOT SCALE DRAWING						SCALE: 1:1	WEIGHT:
						REV A	SHEET 1 OF 1