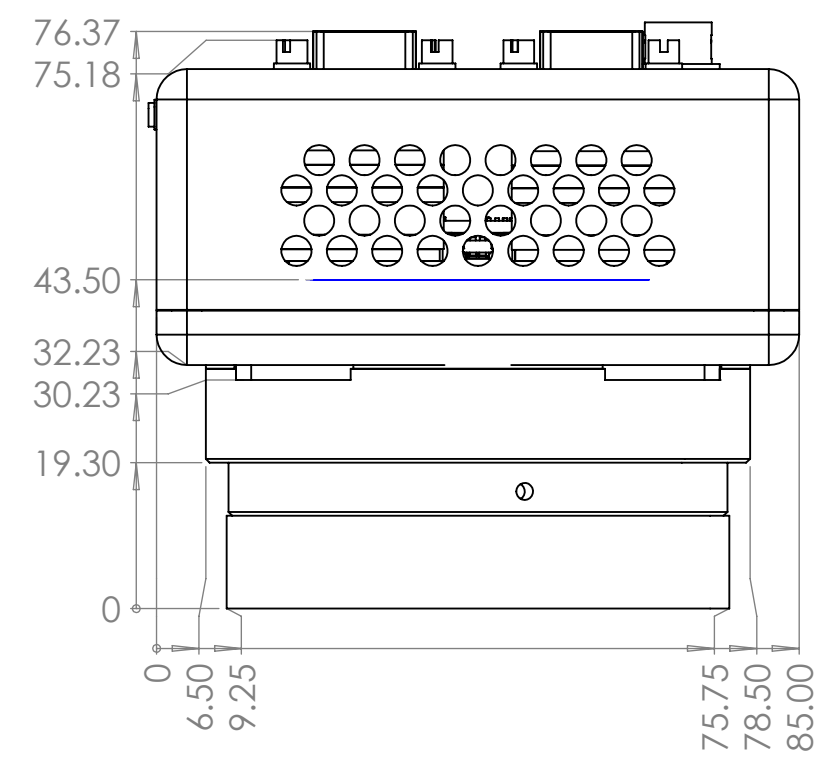
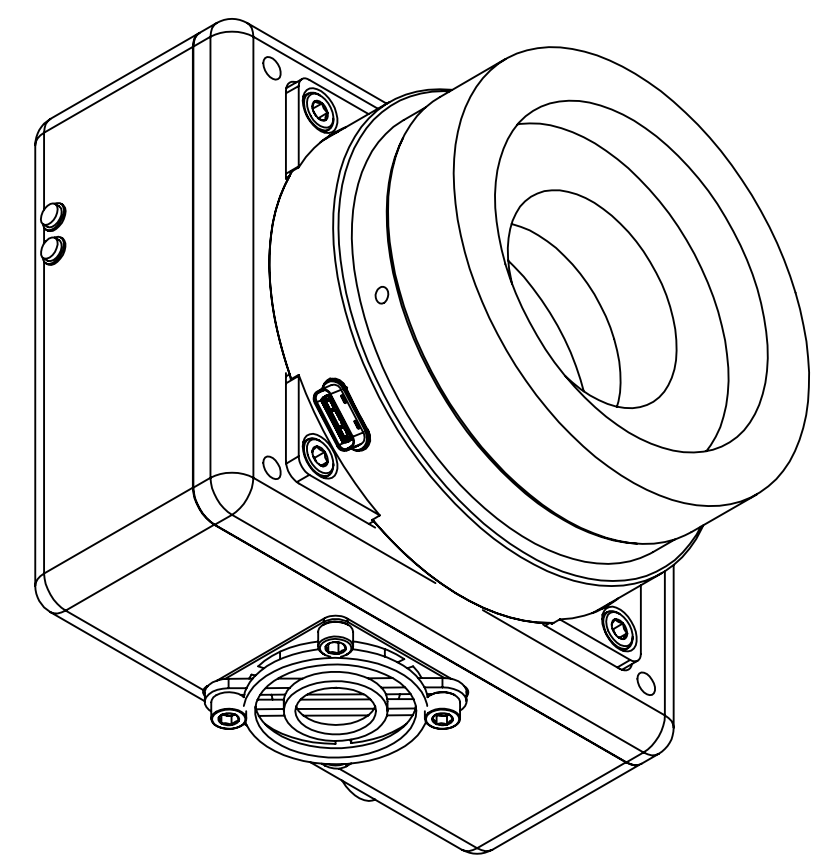
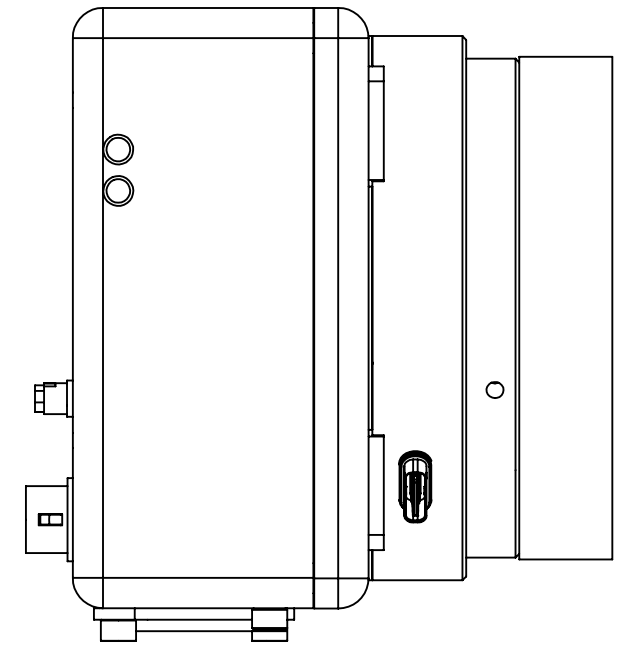
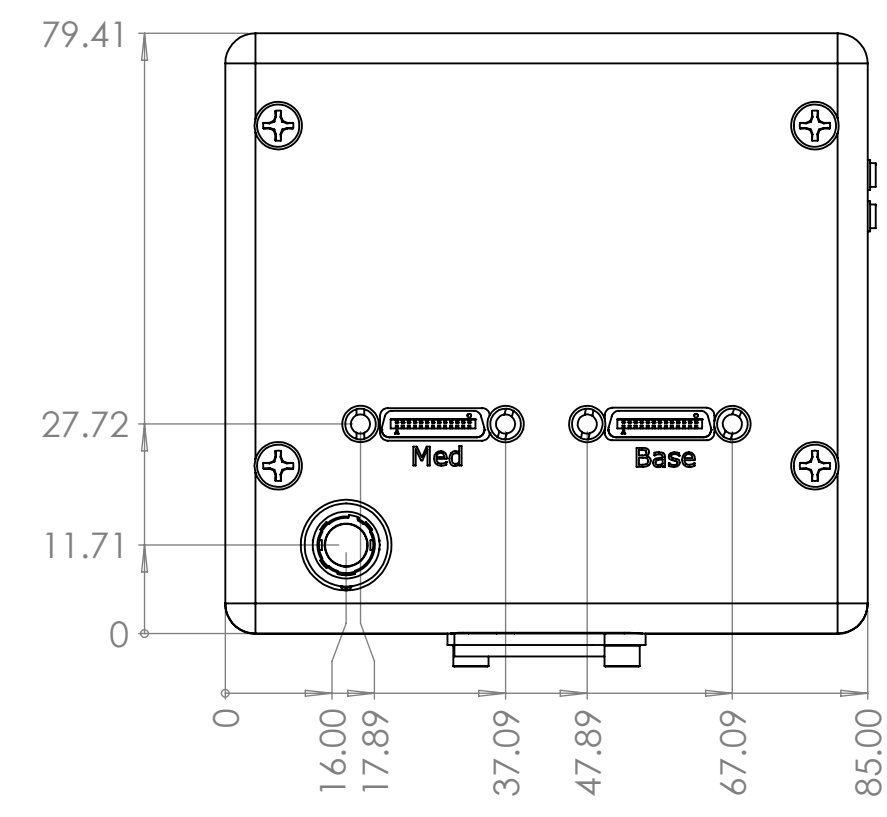
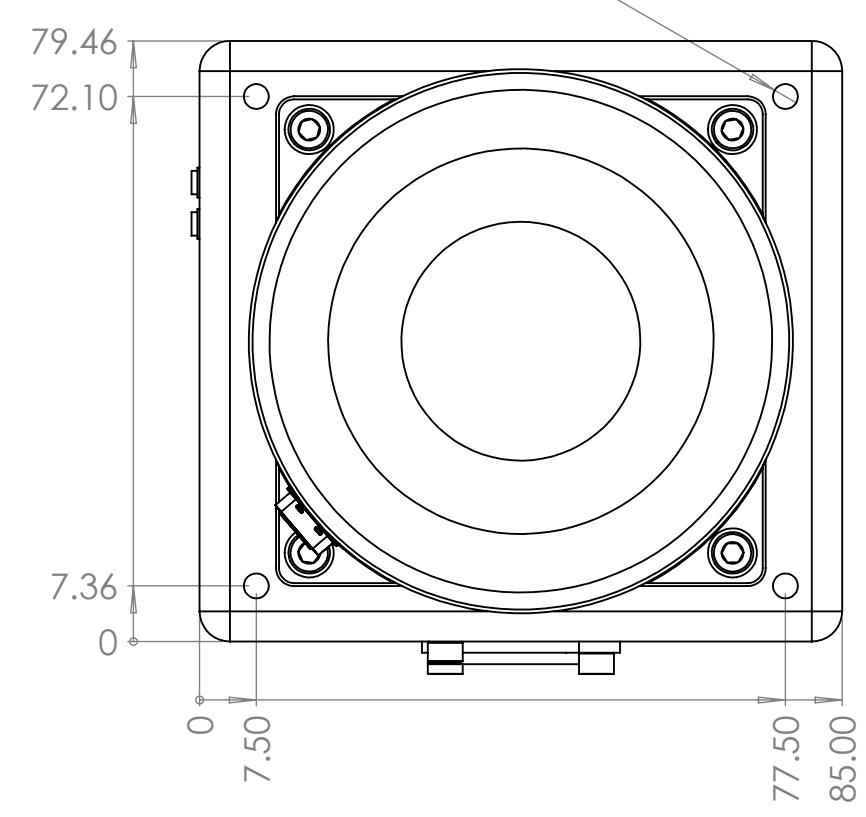



Copyright 2020 illunis LLC
 All rights reserved. This material contains CONFIDENTIAL INFORMATION that is the property of illunis LLC. Any use, duplication or disclosure not specifically authorized in writing by illunis LLC is prohibited.

REVISIONS				
ZONE	REV.	DESCRIPTION	DATE	APPROVED
	A	Release	5/8/2020	STE



4 x \varnothing 3.30 ∇ 6.00
 M4x0.7 - 6H ∇ 5.00



UNLESS OTHERWISE SPECIFIED DIMENSIONS ARE IN mm [in] TOLERANCES ARE:		DECIMAL mm 0-30 ± .1 31-120 ± .2 121-350 ± .4 351-1000 ± .8	DECIMALS in .X ± .020 .XX ± .010 .XXX ± .005	BY DESIGNED: STE DRAWN: STE CHECKED: STE	DATE 4/23/20 4/23/20 4/23/20	illunis LLC 14700 Excelsion Blvd Minnetonka, MN 55345 952-975-9203 TITLE: CMV-65M Canon EF CL		
DIMENSIONED ANGLES ± 0.5°		MACHINING REQUIREMENTS: EDGE BREAKS TO BE 0.2mm [0.015in] MAX REMOVE ALL BURRS AND SHARP EDGES		 www.illunis.com			SIZE C	PART NO. 52-03158
DO NOT SCALE DRAWING				SCALE: 1:1		MASS: (gm)	SHEET 1 OF 1	