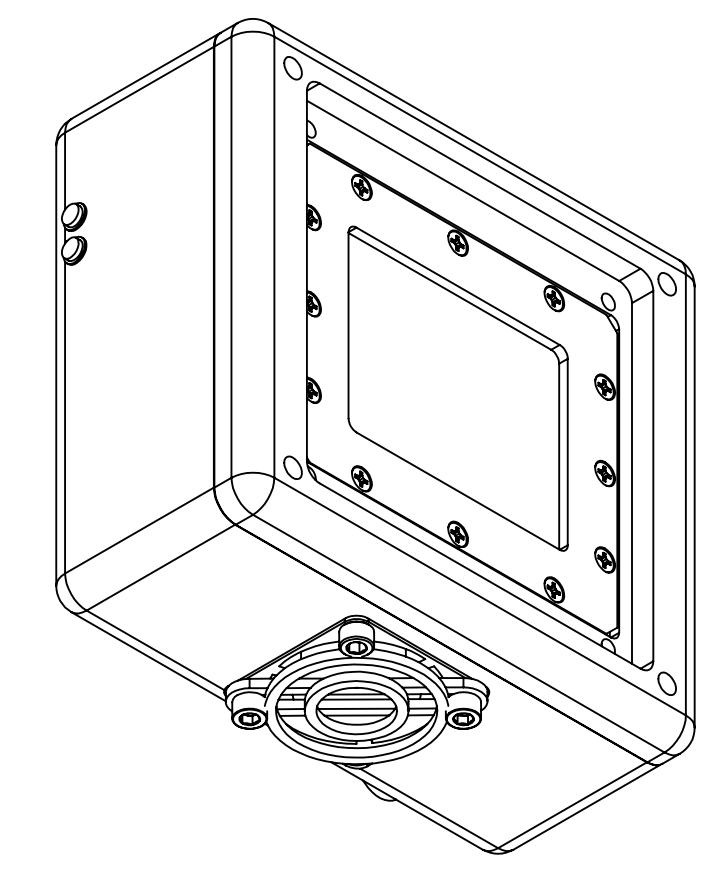
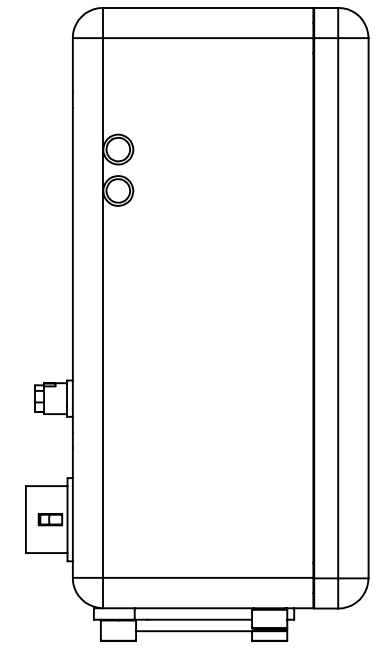
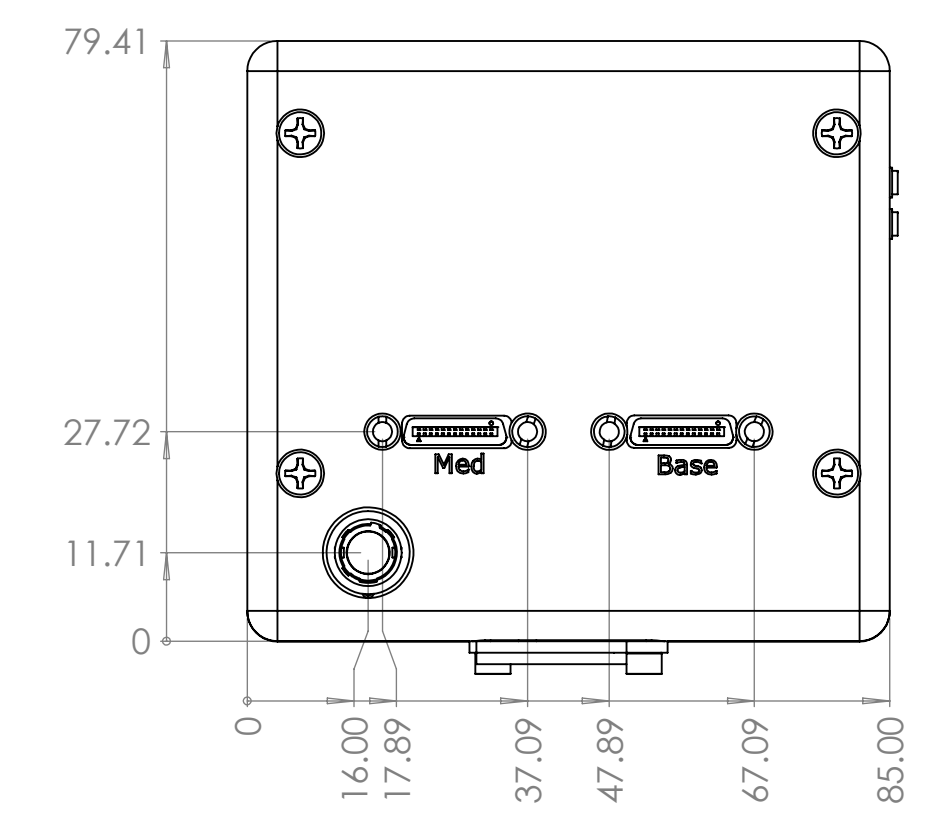
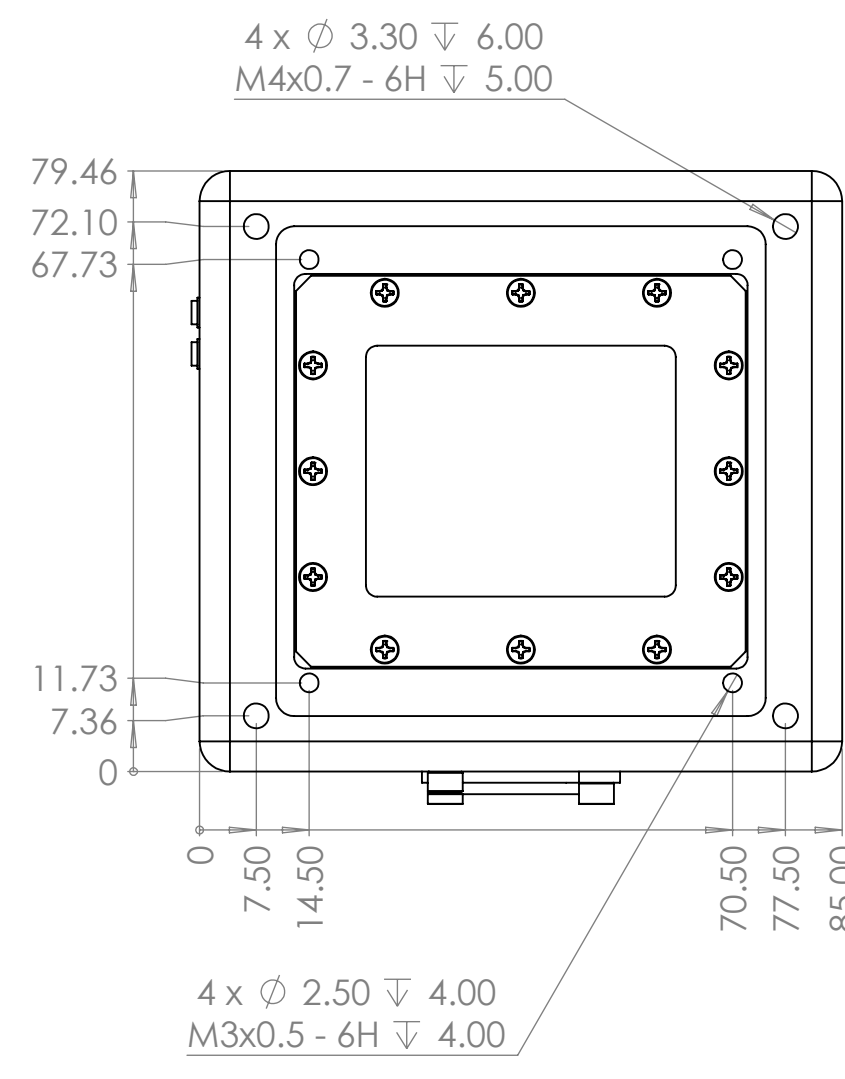
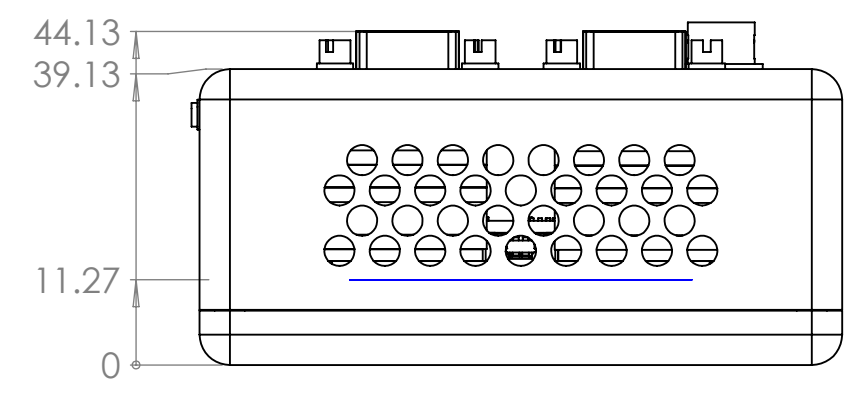



Copyright 2020 illunis LLC  
 All rights reserved. This material contains CONFIDENTIAL INFORMATION that is the property of illunis LLC. Any use, duplication or disclosure not specifically authorized in writing by illunis LLC is prohibited.

REVISIONS				
ZONE	REV.	DESCRIPTION	DATE	APPROVED
	A	Release	5/8/2020	STE



UNLESS OTHERWISE SPECIFIED DIMENSIONS ARE IN mm [in] TOLERANCES ARE: DIMENSIONED ANGLES $\pm$ 0.5°	DECIMAL mm	DECIMALS in	BY	DATE	<b>illunis LLC</b> <small>14700 Excelsion Blvd          Minnetonka, MN 55345          952-975-9203</small>
	0-30 $\pm$ .1	.X $\pm$ .020	DESIGNED:	STE	
	31-120 $\pm$ .2	.XX $\pm$ .010	DRAWN:	STE	4/23/20
	121-350 $\pm$ .4	.XXX $\pm$ .005	CHECKED:	STE	4/23/20
	351-1000 $\pm$ .8				
MACHINING REQUIREMENTS: EDGE BREAKS TO BE 0.2mm [0.015in] MAX REMOVE ALL BURRS AND SHARP EDGES			 <a href="http://www.illunis.com">www.illunis.com</a>		TITLE:
MATERIAL					<b>CMV-65M OEM CL</b>
DO NOT SCALE DRAWING			SIZE <b>C</b> PART NO. <b>52-03158</b> REV <b>A</b>		
			SCALE: 1:1 MASS: (gm)		SHEET 1 OF 1