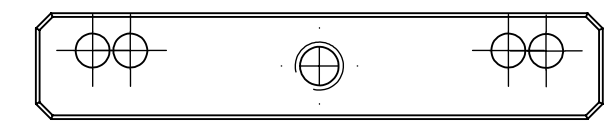
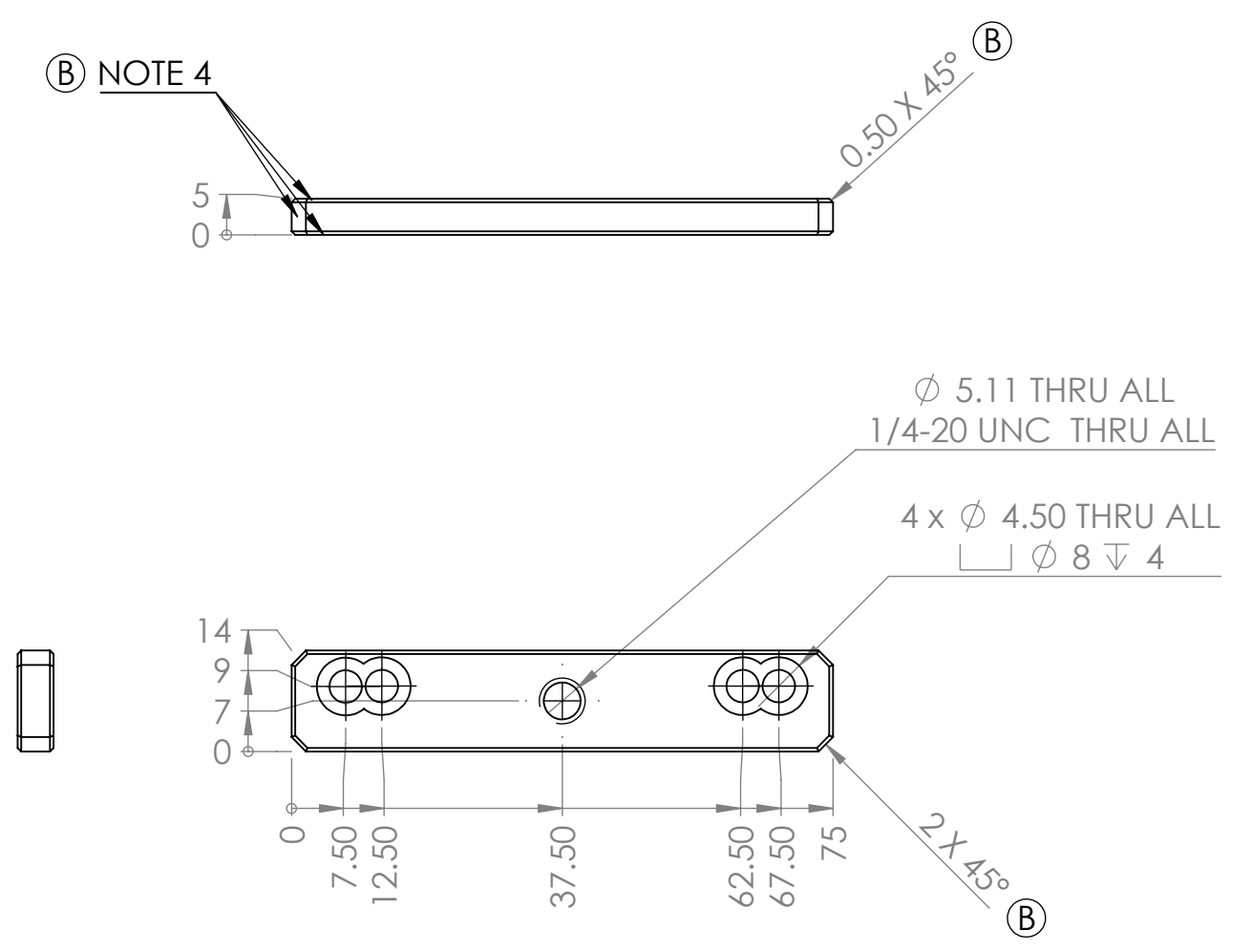


Copyright 2017 illunis LLC  
 All rights reserved. This material contains CONFIDENTIAL INFORMATION that is the property of illunis LLC. Any use, duplication or disclosure not specifically authorized in writing by illunis LLC is prohibited.


- NOTES:  
 1. Frost Coat  
 2. Bright Dip  
 3. Anodize per Table 1  
 4. Machine After Anodize

REVISIONS				
ZONE	REV.	DESCRIPTION	DATE	APPROVED
	A	Release	2/28/2018	STE
D5, F5, F7	B	Finishes and Bevels	2/28/2018	STE



Color	PN Suffix
Black	-black
Blue	-blue

TABLE 1

UNLESS OTHERWISE SPECIFIED DIMENSIONS ARE IN mm [in] TOLERANCES ARE: DIMENSIONED ANGLES ± 0.5°	DECIMAL mm	DECIMALS in	BY	DATE	<b>illunis LLC</b> 14700 Excelsion Blvd Minnetonka, MN 55345 952-975-9203
	0-30 ± .1	.X ± .020	DESIGNED		
	31-120 ± .2	.XX ± .010	DRAWN	10/19/2016	
	121-350 ± .4	.XXX ± .005	CHECKED		
351-1000 ± .8					TITLE: <b>50M CMOS Quarter Twenty</b>
MACHINING REQUIREMENTS: EDGE BREAKS TO BE 0.2mm [0.015in] MAX REMOVE ALL BURRS AND SHARP EDGES			 www.illunis.com		SIZE <b>C</b> PART NO. <b>26-02546</b> REV <b>B</b>
MATERIAL <b>6061-T6</b>			SCALE: 1:1		WEIGHT: SHEET 1 OF 1
DO NOT SCALE DRAWING					