

Canon EF Lens Controller

Controller allows serial control of both Focus and Aperture for Canon EF/EF-S lens
Stand alone or Embedded Operation



The **CLC** lens controller for Canon EF and EF-S mount type lenses provides for aperture, focus and stabilization control. It can operate as a stand alone device, powered through serial control or as an embedded device using RS232, UART, or as an I2C controlled component. A USB to UART cable allows for USB operation.

The **CLC** can dynamically detect lens attachment and removal as well as identify the lens name, focus, iris and zoom information.

CLC's are available as an OEM module for integration into any camera system requiring control of Canon EF Lenses.

The OEM version is available to purchase or license for OEM customers. A development kit is also available.

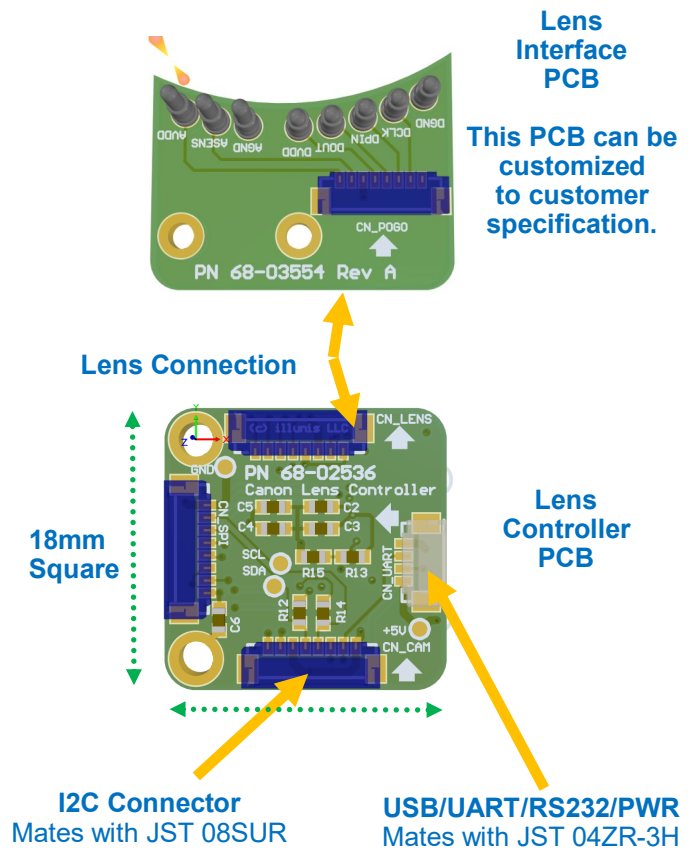
illunis CLC Highlights:

- **Embedded Interface; UART, I2C, RS232, USB**
- Compatible with Canon EF protocol (EF and EF-S Lenses).
- Aperture detection and control in 1/8 f-Stop increments
- Focus detection and control at lens internal encoder level.
- Extremely low power.
- Internal EEPROM available to the user (1K).
- Save and restore lens aperture and focus.
- Field-updatable firmware and Built In Test (BIT)
- Human readable and machine compatible command sets.
- Machined CNC lens mount
- Sample windows control application and SDK
- Replaceable extension ring interface to lens.

CLC Version 2 Specifications

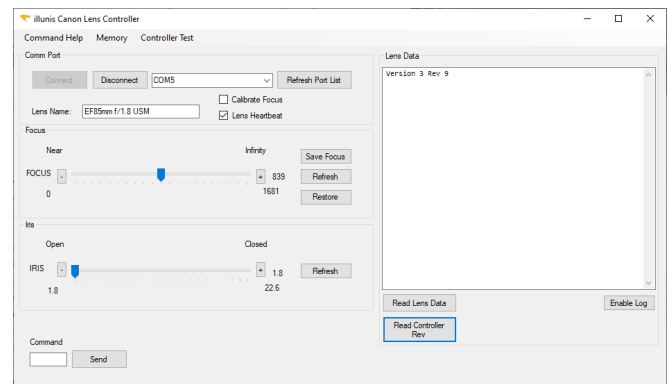
Compatibility	Canon EF/EF-S Lens and third party EF compatible lens
Aperture	Range Read from lens, controllable in 1/8 f-stop increments. Move aperture absolute, incremental 1/8 f-Stop, end points.
Focus	Range Read from lens, controllable in lens encoder increments. Move focus incremental, Absolute, end points, steps, percent, cm.
Lens Commands	Status, Name, Info, 8 Aperture, 12 Focus, 1 Zoom, 5 EEPROM, Save and restore aperture and focus.
Power	USB or externally powered
USB Compatibility	Type-A connector, Type C Adaptor
USB Driver	FTDI VCP Drivers Windows, Mac, Linux.
User USB interface	Serial COM port at 56,700 baud.
OEM Interface	RS232, UART and I2C
Power Options	USB (5.0V) RS232 : 5.0V or 7-40V DC UART : 5.0V I2C: 5.0V
Camera Interfaces	Illunis EMC, CMV. Also OEM
User EEPROM	1K Bytes
Lens Mount	Authentic Canon 12mm adapter or third party replacement.
Custom Mounts	Available
Embedded option	Bare board
Bare Board Size	18 x 18 mm
Field Programmable	Boot Loader installed

Embedded Connections



Software

The Canon Lens controller comes with our free lens control software, which allows interactive focus and aperture adjustment. Windows-10 64bit compatible.



illunis specializes in custom applications and OEM designs.

Call for development kit: Lens controller, Pogo PCB, Cables, USB adapter, Mount

Applications

Auto Focus

Digital Imaging
Inspection
UAVs and Drones
Industrial applications
Surveillance and security
Traffic

Eliminate Z-Focus Stage

Defense and Space
Medical
Scientific
Astronomy
OEM Applications
Documentation and Print

illunis, LLC
14700 Excelsior Blvd.
Minnetonka, MN 55345
USA

Phone: 952.975.9203

email: info@illunis.com
web: www.illunis.com