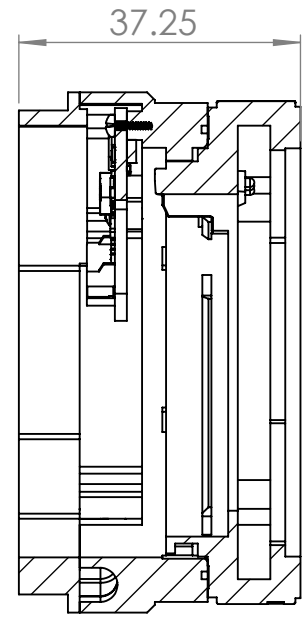
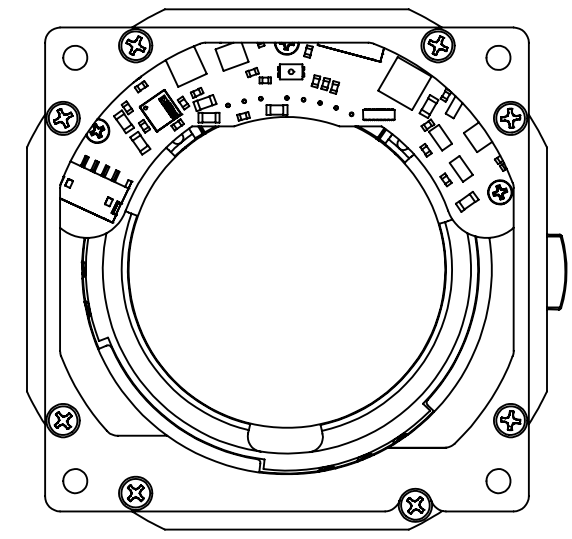
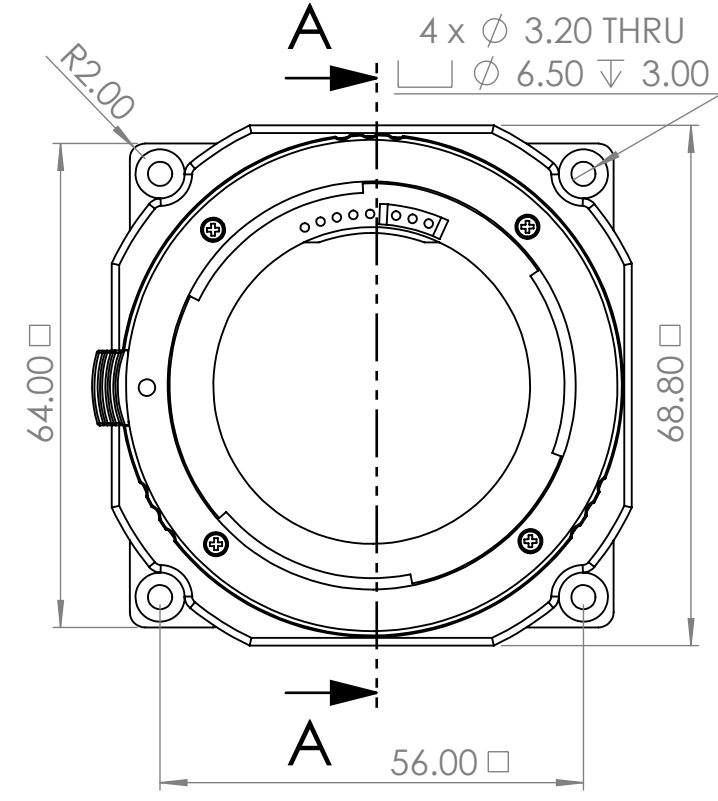


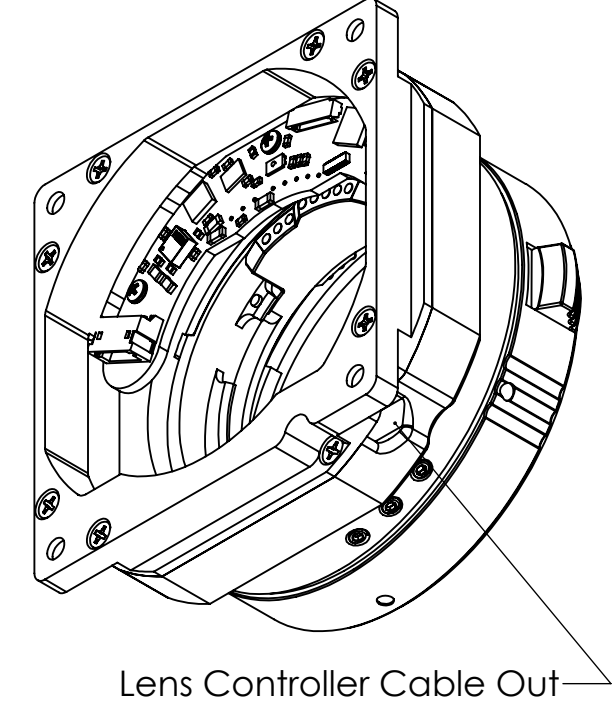
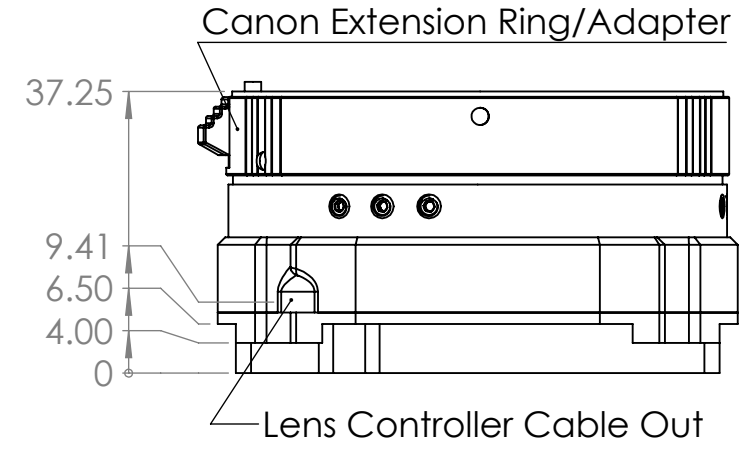
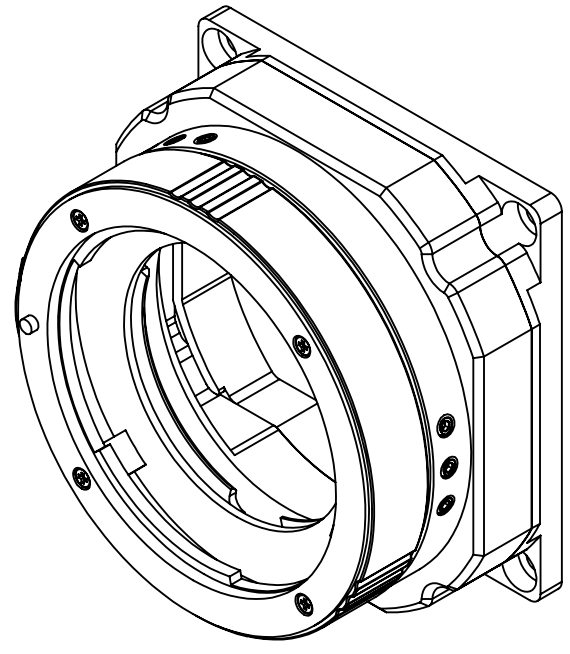
Copyright illunis LLC
 All rights reserved. This material contains CONFIDENTIAL INFORMATION that is the property of illunis LLC. Any use, duplication or disclosure not specifically authorized in writing by illunis LLC is prohibited.




SECTION A-A
 SCALE 1 : 1



- Mount Information:
1. Canon EF Flange Focal Distance: 44mm
 2. Mount Length: ~37.25mm



UNLESS OTHERWISE SPECIFIED DIMENSIONS ARE IN mm [in] TOLERANCES ARE: DIMENSIONED ANGLES ± 0.5°	DECIMAL mm	DECIMALS in	BY	DATE	illunis LLC 14700 Excelsion Blvd Minnetonka, MN 55345 952-975-9203		
	0-30 ± .1	.X ± .020	DESIGNED: ADK	3/27/23			
	31-120 ± .2	.XX ± .010	DRAWN: ADK	3/27/23	TITLE:		
	121-350 ± .4	.XXX ± .005	CHECKED: ADK	3/27/23	EMC EF-Mount Assembly		
MACHINING REQUIREMENTS: EDGE BREAKS TO BE 0.2mm [0.015in] MAX REMOVE ALL BURRS AND SHARP EDGES			 www.illunis.com		SIZE	PART NO.	REV
MATERIAL					C		
DO NOT SCALE DRAWING					SCALE: 1:1	MASS: (gm)	SHEET 1 OF 1