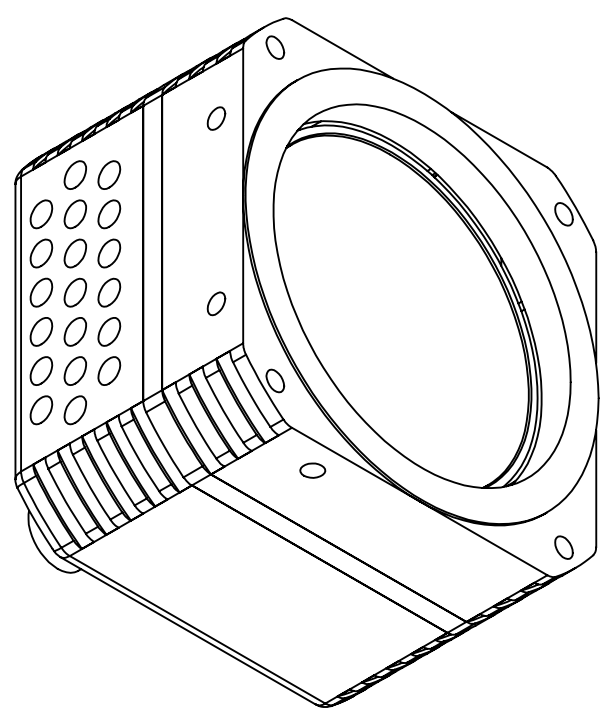
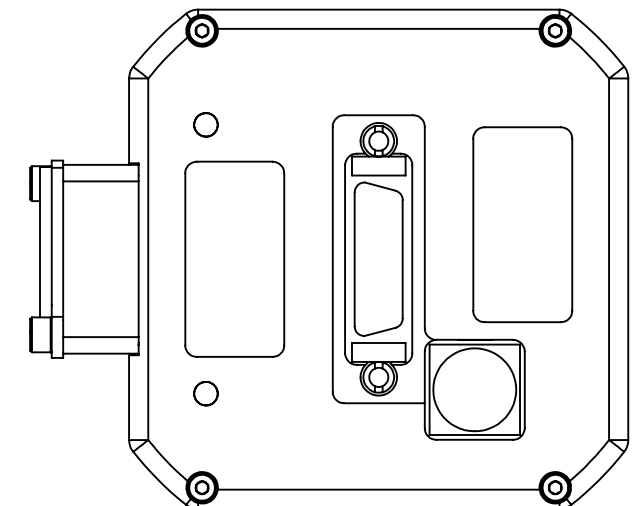
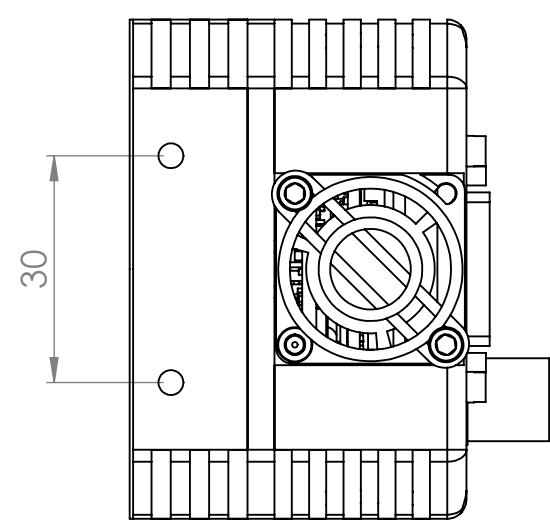
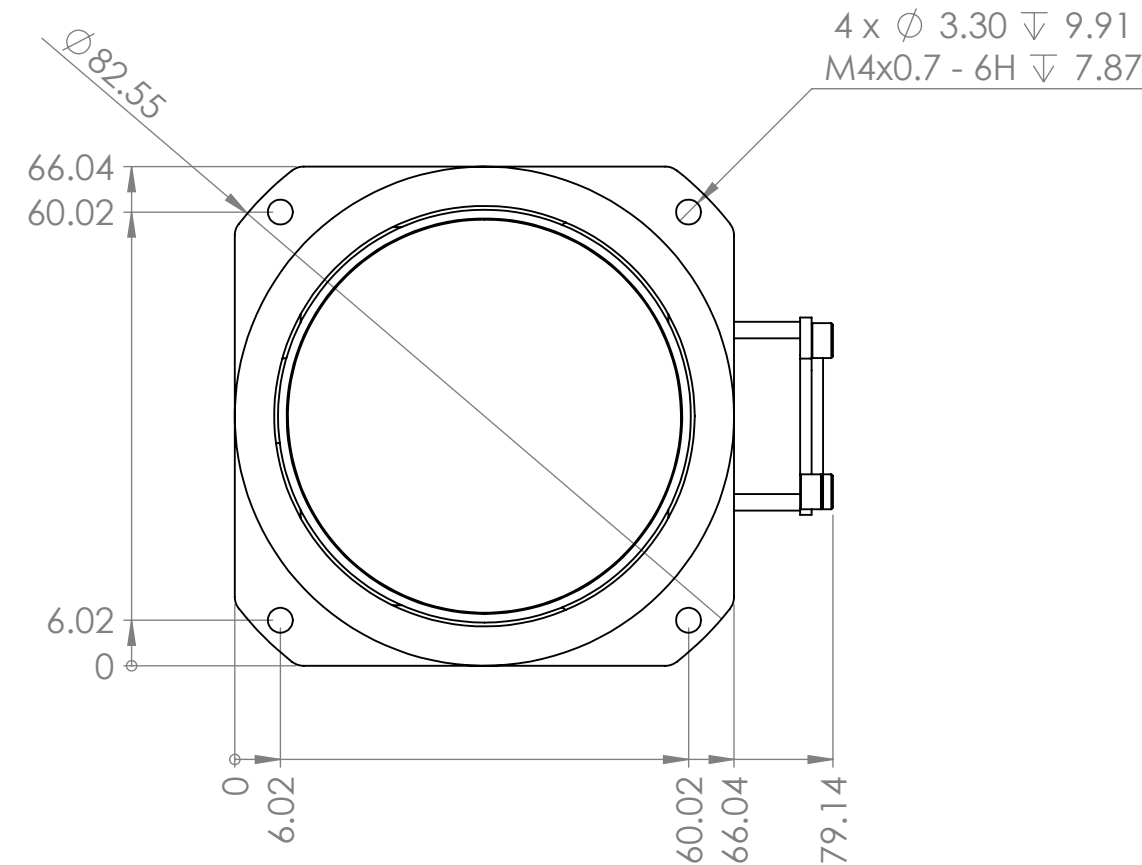
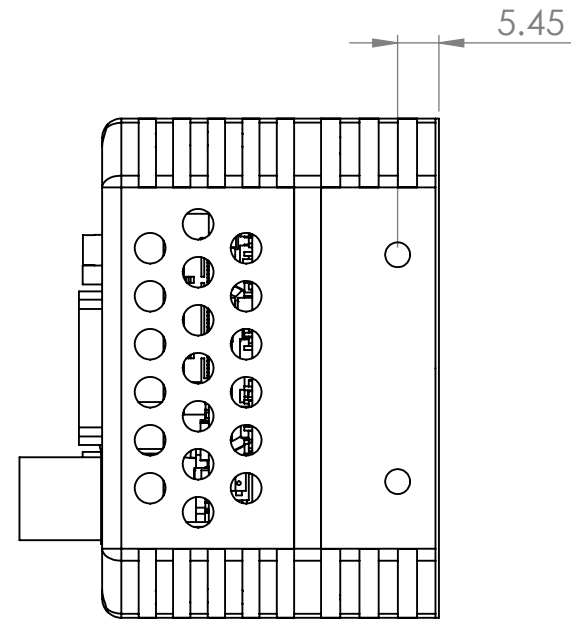
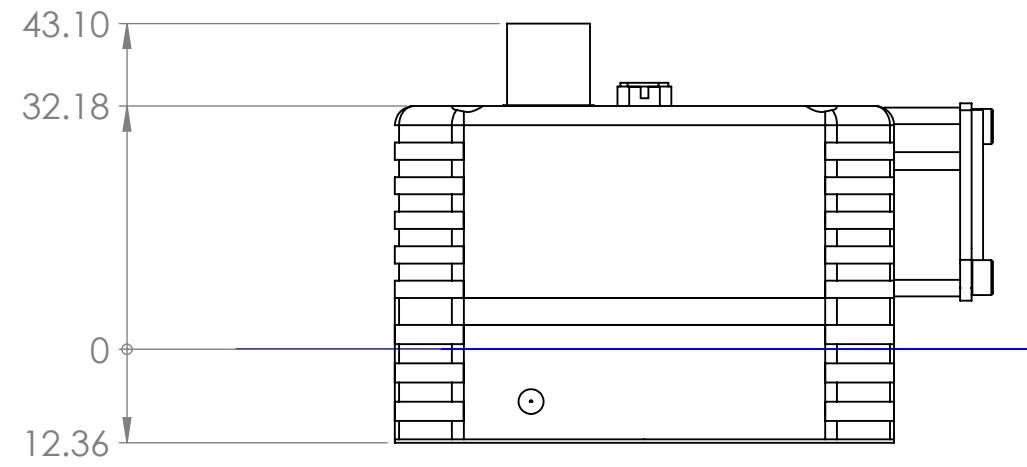



Copyright 2017 illunis LLC
 All rights reserved. This material contains CONFIDENTIAL INFORMATION that is the property of illunis LLC. Any use, duplication or disclosure not specifically authorized in writing by illunis LLC is prohibited.



UNLESS OTHERWISE SPECIFIED DIMENSIONS ARE IN mm [in] TOLERANCES ARE: DIMENSIONED ANGLES $\pm 0.5^\circ$	DECIMAL mm	DECIMALS in	BY	DATE	illunis LLC 14700 Excelsion Blvd Minnetonka, MN 55345 952-975-9203
	0-30 $\pm .1$.X $\pm .020$	DESIGNED		
	31-120 $\pm .2$.XX $\pm .010$	DRAWN	4/27/2010	
	121-350 $\pm .4$.XXX $\pm .005$	CHECKED		
			 www.illunis.com		TITLE: SIZE C
MACHINING REQUIREMENTS: EDGE BREAKS TO BE 0.2mm [0.015in] MAX REMOVE ALL BURRS AND SHARP EDGES	MATERIAL		SCALE: 1:1	WEIGHT:	PART NO. REV A
DO NOT SCALE DRAWING					SHEET 1 OF 1