



RMV-29 CL

Interline CCD

6576 X 4384 - 5.5µm PIXEL



The RMV-29050 is a global electronic shutter CCD digital camera with 29 megapixel resolution. The RMV-29050 is available in color and mono versions and is designed for use in industrial, machine vision, aerial, military, and scientific applications.

The RMV-29050 offers outstanding quality by using the ON Semiconductor KAI-29050 sensor. Additional features include: low smear -100dB, blooming suppression of >300x, full 14 bit sampling, and 12 bit data paths, advanced triggering and CCD readout control, built in detectors that analyze camera performance, and image processing to remove sensor defects.

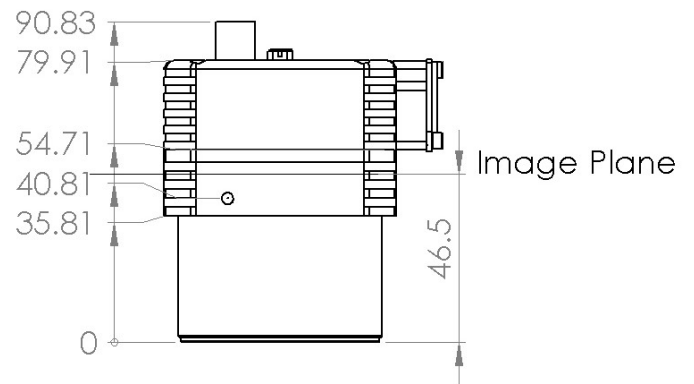
RMV-29050 CL HIGHLIGHTS

- ✓ 6576 x 4384 5.5µm active pixels
- ✓ Global electronic shutter
- ✓ >64dB dynamic range
- ✓ 8, 10, 12 bit selectable data output
- ✓ 1, 2, or 4 tap readout
- ✓ Pixel, column, and flat field defect correction
- ✓ On-Screen text and line plots
- ✓ Power over Camera Link (PoCL)
- ✓ Camera Link Base
- ✓ Nikon F and M58 lens mounts

RMV-29050 CL SPECIFICATIONS

| | |
|-----------------------------------------|---------------------------------------------------------------------------------------------------------------------|
| Sensor | ON Semi KAI-29050 |
| Architecture | Global Electronic CCD |
| Configuration | Mono, RGB Bayer |
| Active Pixels | 6576 (H) x 4384 (V) |
| Pixels Size | 5.5 x 5.5µm |
| Active Image Size | 35mm format (43.47mm diagonal) |
| Outputs | 1, 2, or 4 |
| Frame Rates <i>(Camera Link)</i> | 4 fps (quad) 2 fps (dual) 1 fps (single) |
| Dynamic Range | >64dB |
| Clock Speed | 40 MHz |
| Full Well Charge | 20Ke |
| Electronic Shutter | > 1/5000 sec |
| Smear | -100dB |
| Read Noise | < 8e |
| Binning | 2x2, 4x4 |
| Partial Scan | Any line to any line |
| Readout Modes | Program Exposure, Pulse Width, Double Exposure, Overlap Exposure, Overlap Exposure, Free Run, Free Run Synchronized |
| Lens Mount Options | Nikon F, M58 |
| Power | 6.6W |
| Options | Tripod Adapter |

DIMENSIONS



APPLICATIONS

- ✓ INDUSTRIAL
- ✓ MACHINE VISION
- ✓ AERIAL IMAGING
- ✓ MILITARY SURVEILLANCE
- ✓ SCIENTIFIC APPLICATIONS

All illunis cameras come with our free camera control software, which allows interactive setup of all camera parameters.



Get in Touch

✉ info@illunis.com



CONTACT US

illunis, LLC
14700 Excelsior Boulevard
Minnetonka, MN 55345 USA

☎ +1.952.975.9203
☎ +1.952.294.8308 (fax)
✉ info@illunis.com
🌐 www.illunis.com