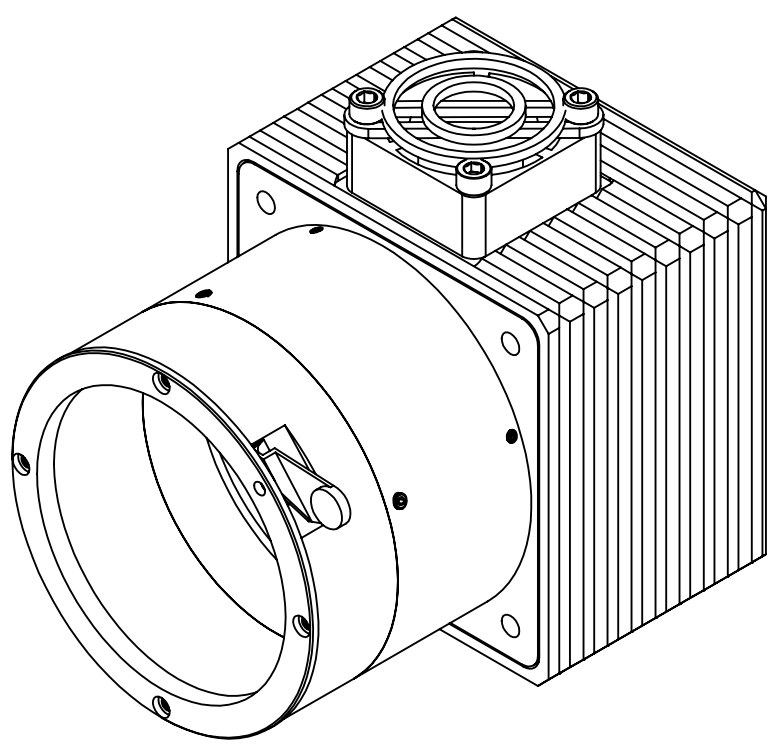
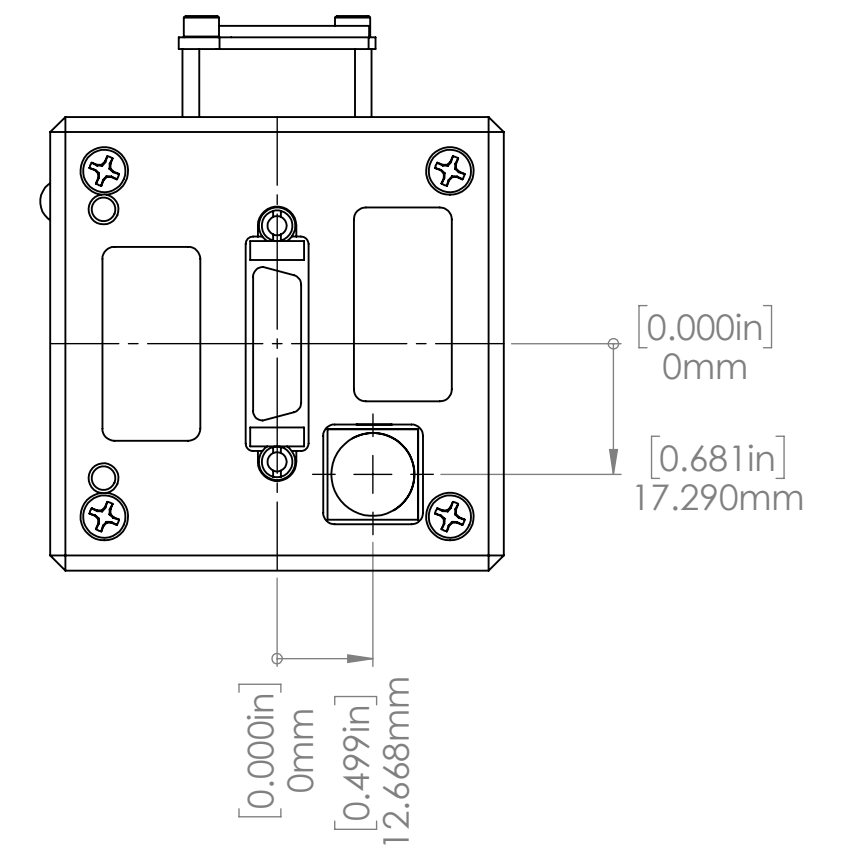
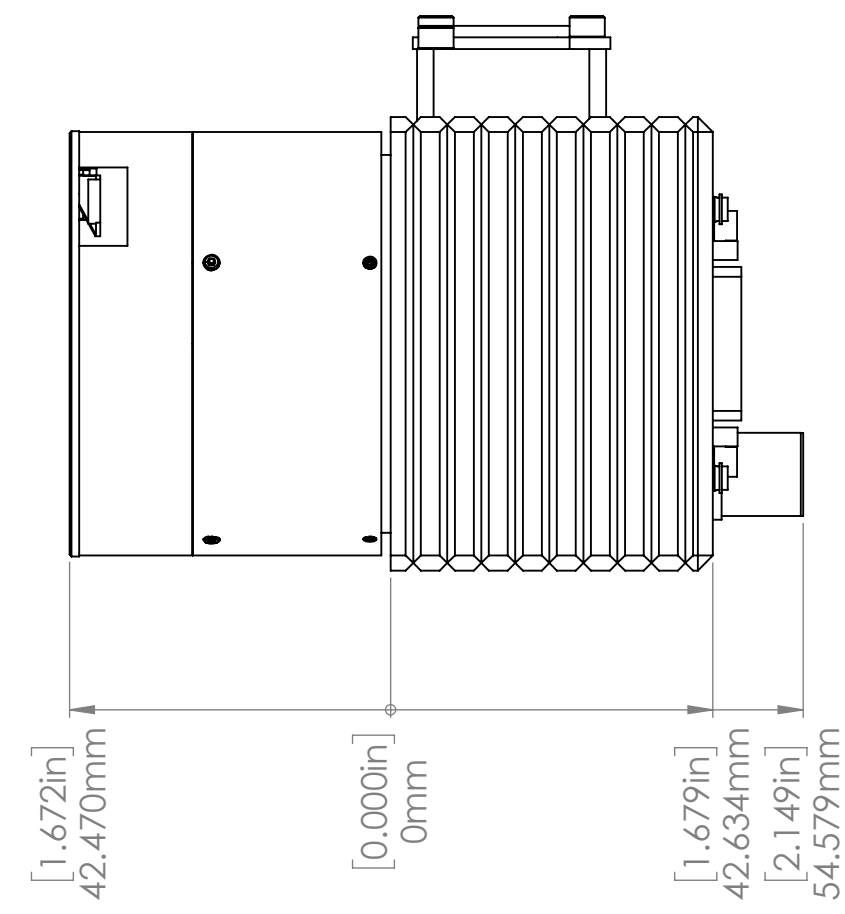
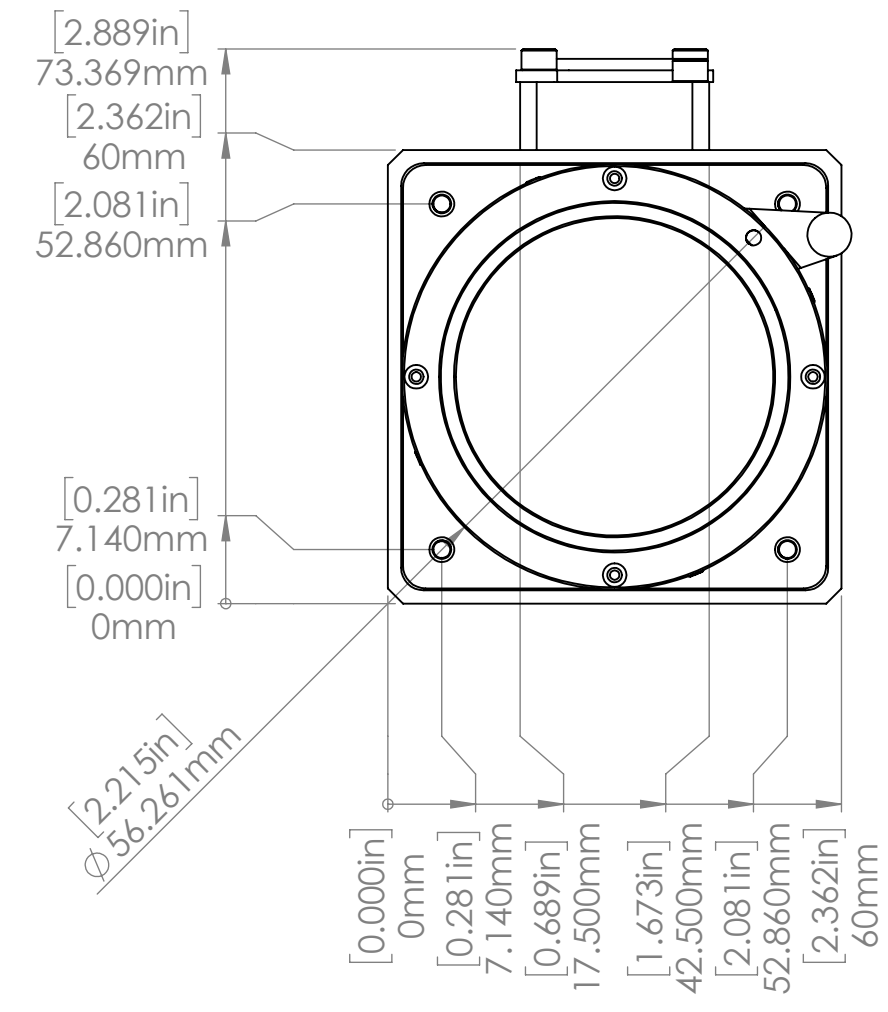
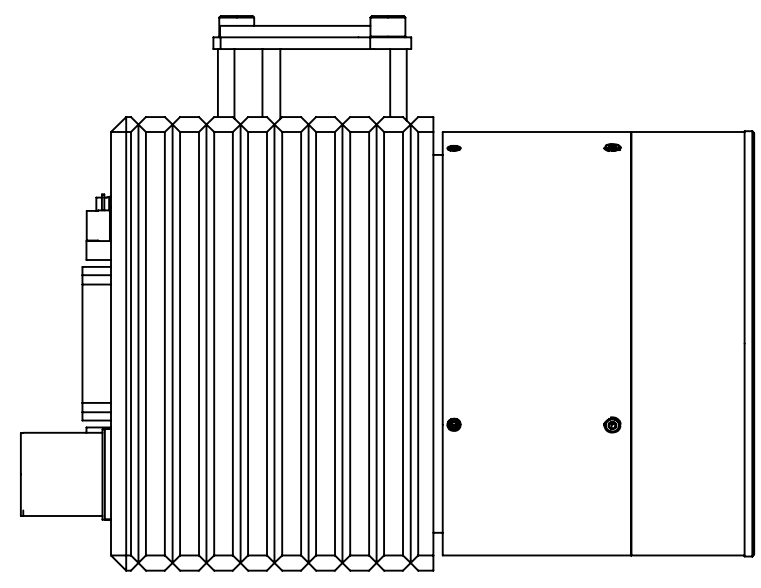
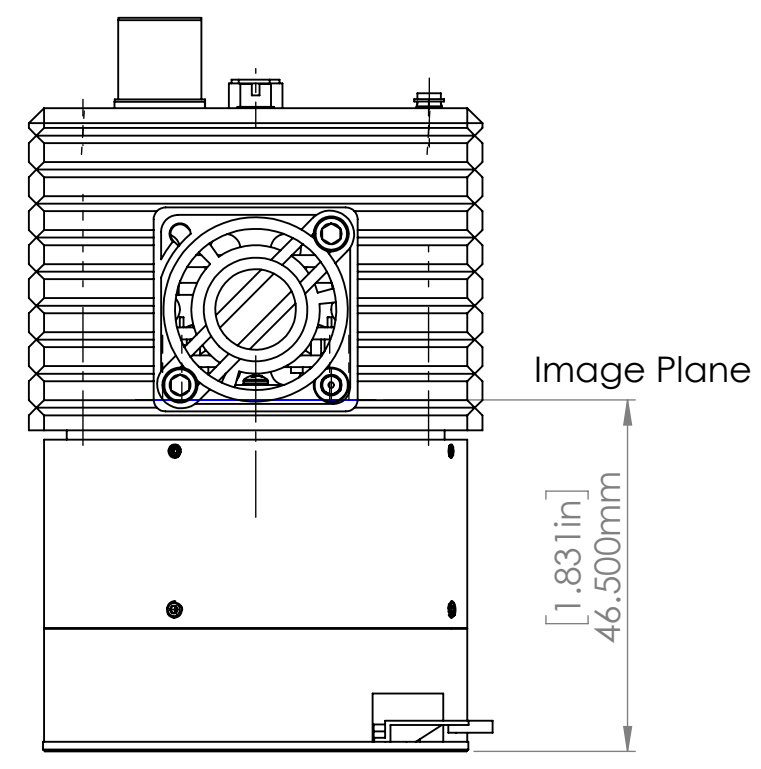


Copyright 2016 Illunis LLC
 All rights reserved. This material contains CONFIDENTIAL INFORMATION that is the property of Illunis LLC. Any use, duplication or disclosure not specifically authorized in writing by Illunis LLC is prohibited.

REVISIONS				
ZONE	REV.	DESCRIPTION	DATE	APPROVED
	A	Release	2/10/2016	STE



UNLESS OTHERWISE SPECIFIED
 DIMENSIONS ARE IN mm [in]
 TOLERANCES ARE:
 DIMENSIONED ANGLES ± 0.5°

DECIMAL mm
 0-30 ± .1
 31-120 ± .2
 121-350 ± .4
 351-1000 ± .8

DECIMALS in
 .X ± .020
 .XX ± .010
 .XXX ± .005

BY	DATE
DESIGNED S. Elhardt	12/2/13
DRAWN S. Elhardt	6/3/2009
CHECKED S. Elhardt	12/2/13

illunis LLC
 14700 Excelsion Blvd
 Minnetonka, MN 55345
 952-975-9203

TITLE:
RMV F Mount CL

MACHINING REQUIREMENTS:
 EDGE BREAKS TO BE 0.2mm [0.015in] MAX
 REMOVE ALL BURRS AND SHARP EDGES

MATERIAL
 DO NOT SCALE DRAWING



SIZE	PART NO.	REV
C		A
SCALE: 1:1	WEIGHT:	SHEET 1 OF 1