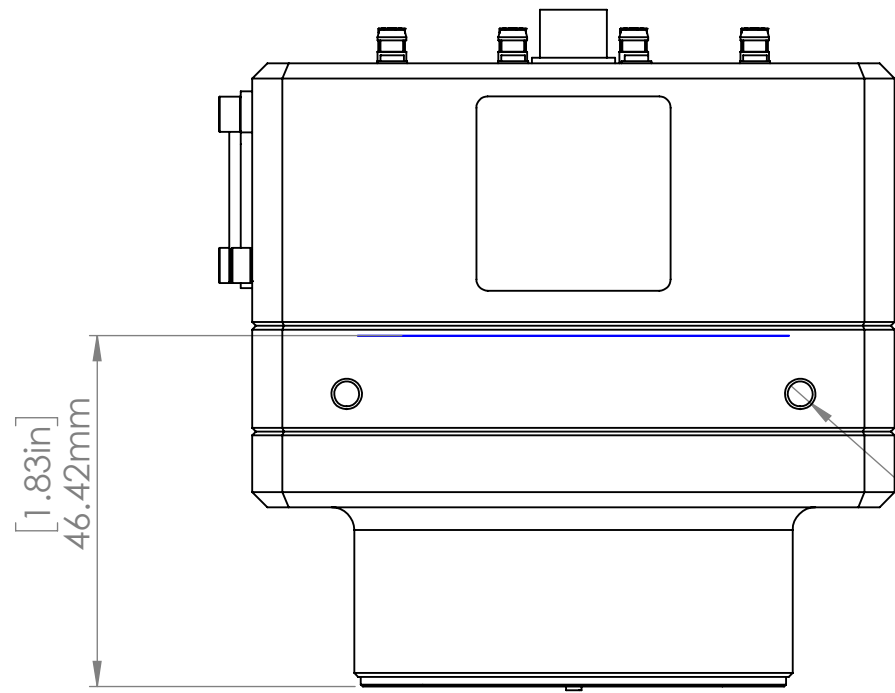


Copyright 2015 illunis LLC
 All rights reserved. This material contains CONFIDENTIAL INFORMATION that is the property of illunis LLC. Any use, duplication or disclosure not specifically authorized in writing by illunis LLC is prohibited.

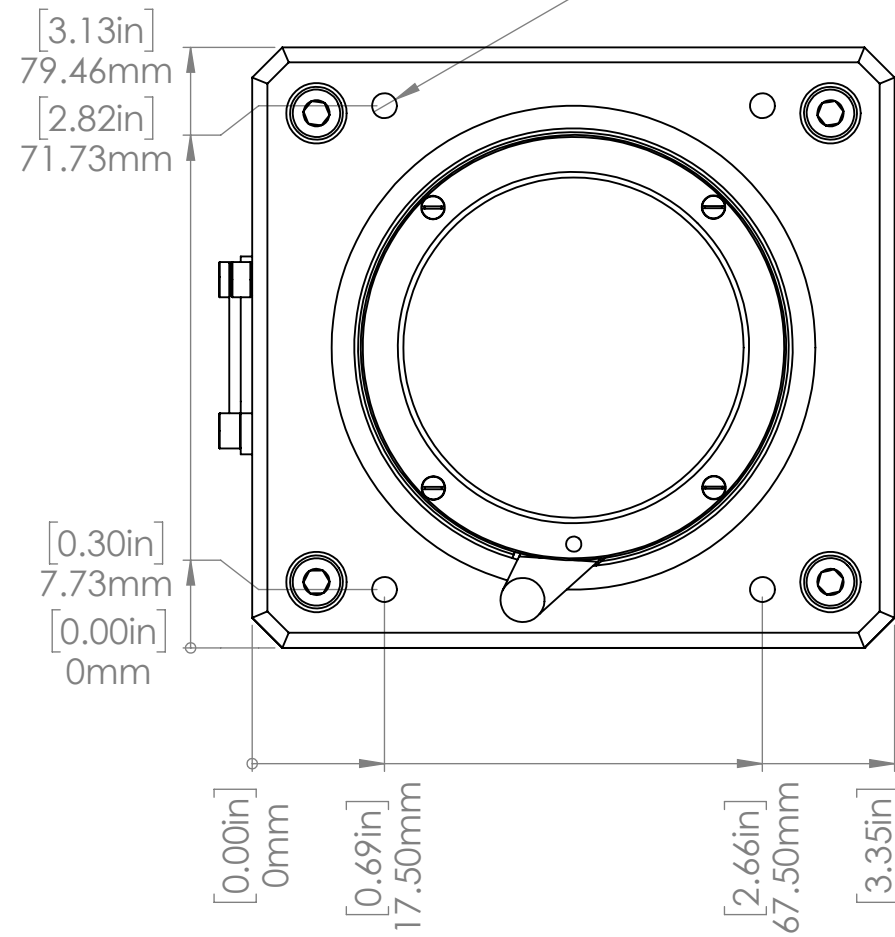


[1.83in]
46.42mm

Image Plane

8 x ϕ 3.30mm [0.13in] ∇ 7.10mm [0.28in]
 M4x0.7 - 6H ∇ 5mm [0.20in]
 \sphericalangle ϕ 4.05mm [0.16in] X 90°, Near Side

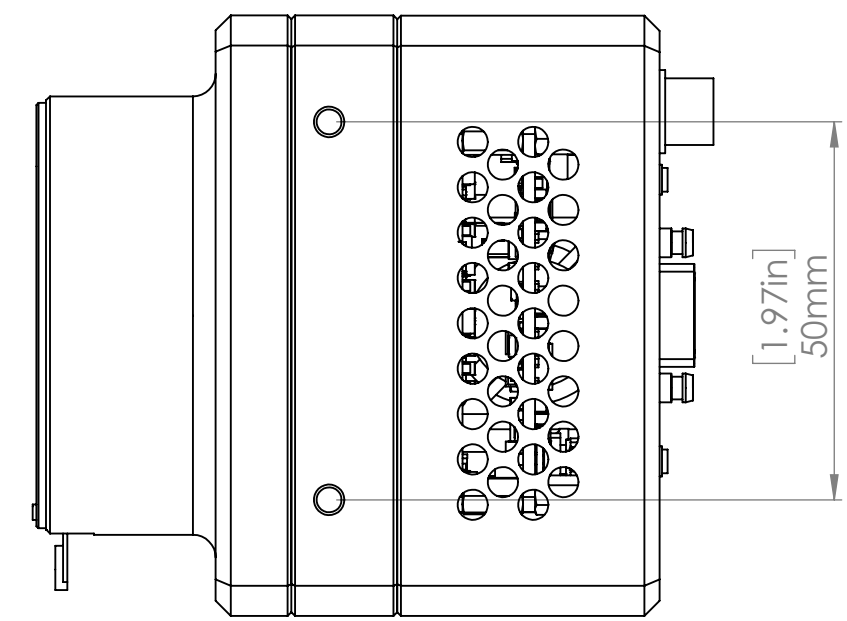
4 x ϕ 3.30mm [0.13in] ∇ 6mm [0.24in]
 M4x0.7 - 6H ∇ 8mm [0.31in]



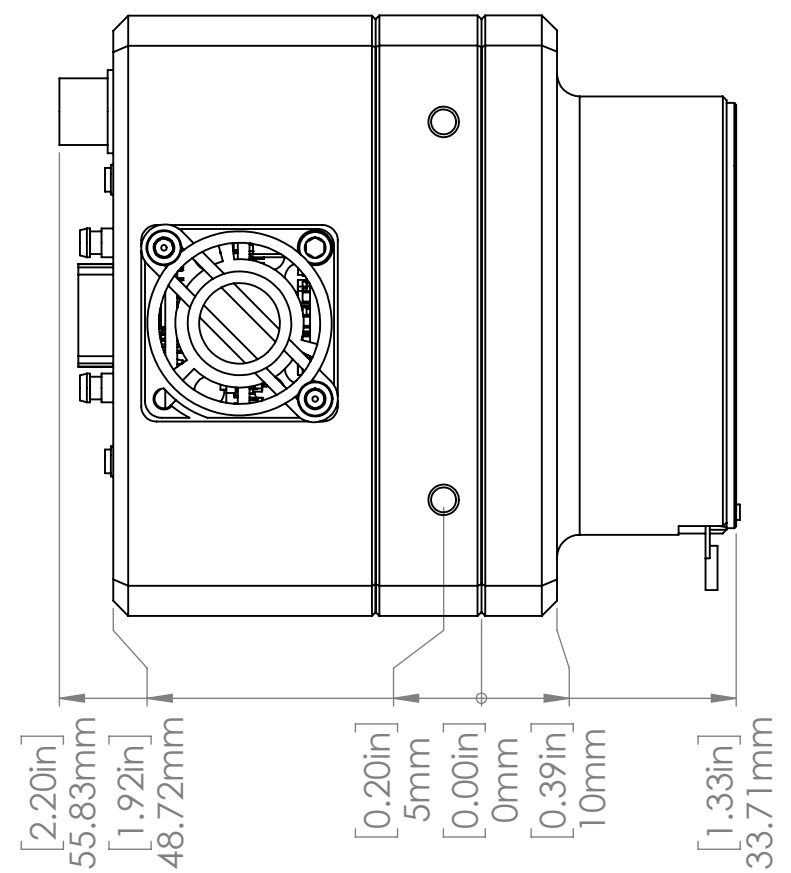
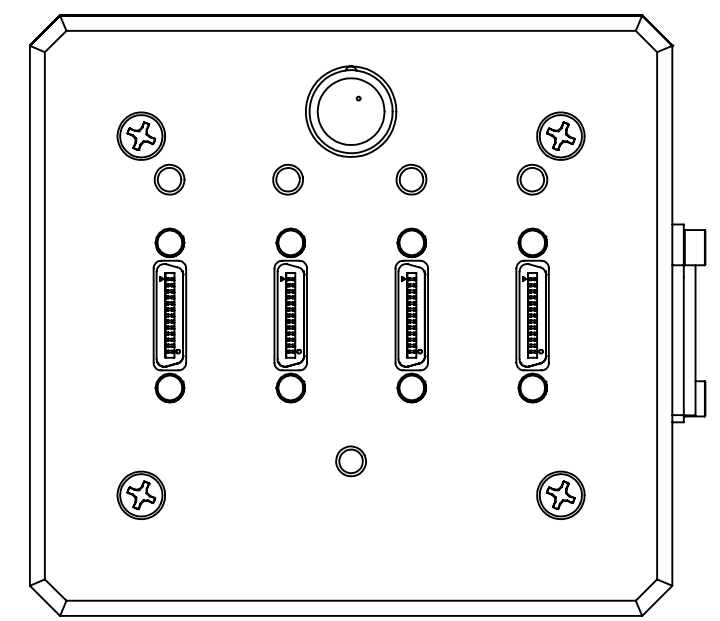
[3.13in]
79.46mm
[2.82in]
71.73mm

[0.30in]
7.73mm
[0.00in]
0mm

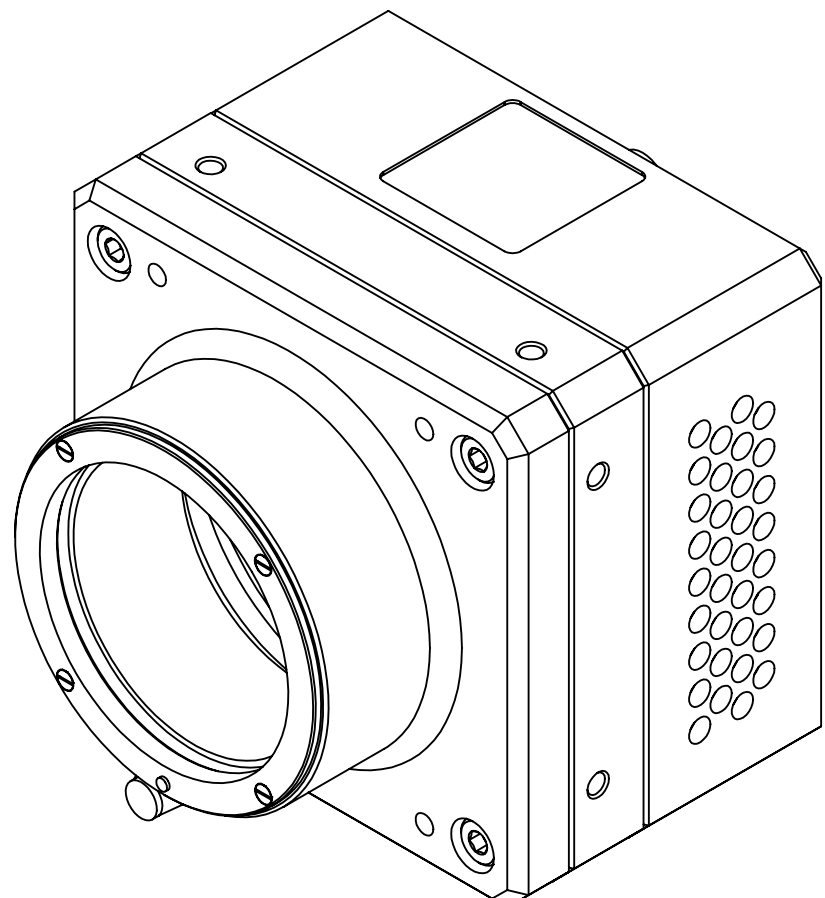
[0.00in]
0mm
[0.69in]
17.50mm
[2.66in]
67.50mm
[3.35in]
85mm



[1.97in]
50mm



[2.20in]
55.83mm
[1.92in]
48.72mm
[0.20in]
5mm
[0.00in]
0mm
[0.39in]
10mm
[1.33in]
33.71mm



UNLESS OTHERWISE SPECIFIED
 DIMENSIONS ARE IN mm [in]
 TOLERANCES ARE:
 DIMENSIONED ANGLES \pm 0.5°

DECIMAL mm	DECIMALS in
0-30 \pm .1	.X \pm .020
31-120 \pm .2	.XX \pm .010
121-350 \pm .4	.XXX \pm .005
351-1000 \pm .8	

BY	DATE
DESIGNED	
DRAWN	4/25/2016
CHECKED	

illunis LLC
 14700 Excelsion Blvd
 Minnetonka, MN 55345
 952-975-9203

MACHINING REQUIREMENTS:
 EDGE BREAKS TO BE 0.2mm [0.015in] MAX
 REMOVE ALL BURRS AND SHARP EDGES

MATERIAL
 DO NOT SCALE DRAWING



TITLE:	SIZE	PART NO.	REV
	C		
SCALE: 1:1	WEIGHT:	SHEET 4 OF 4	