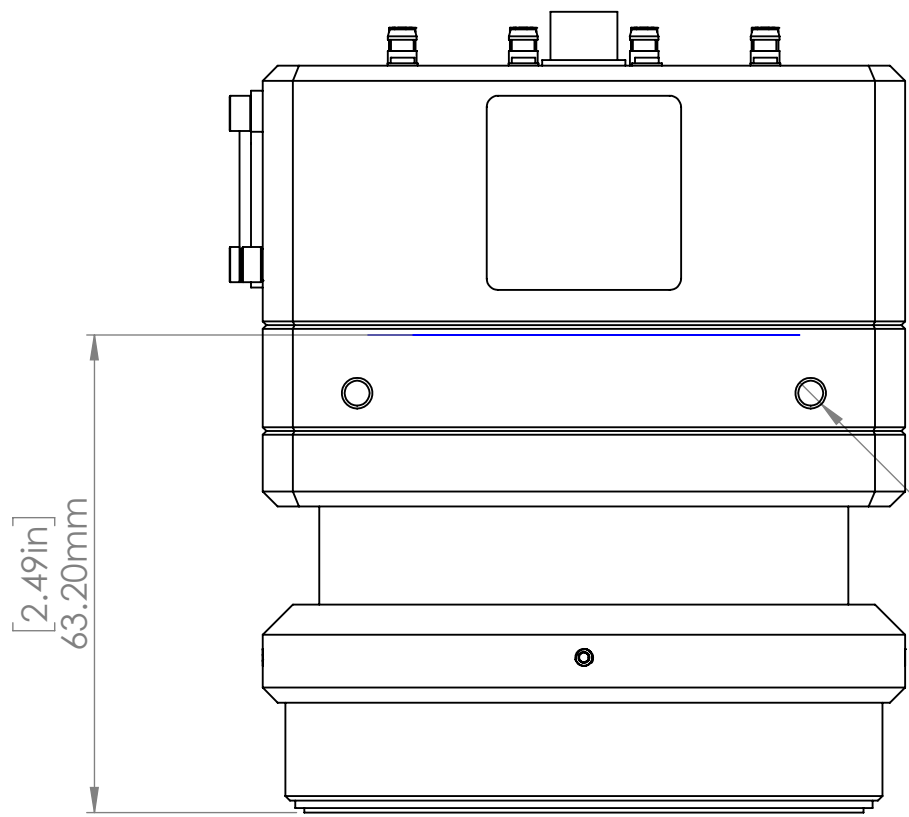
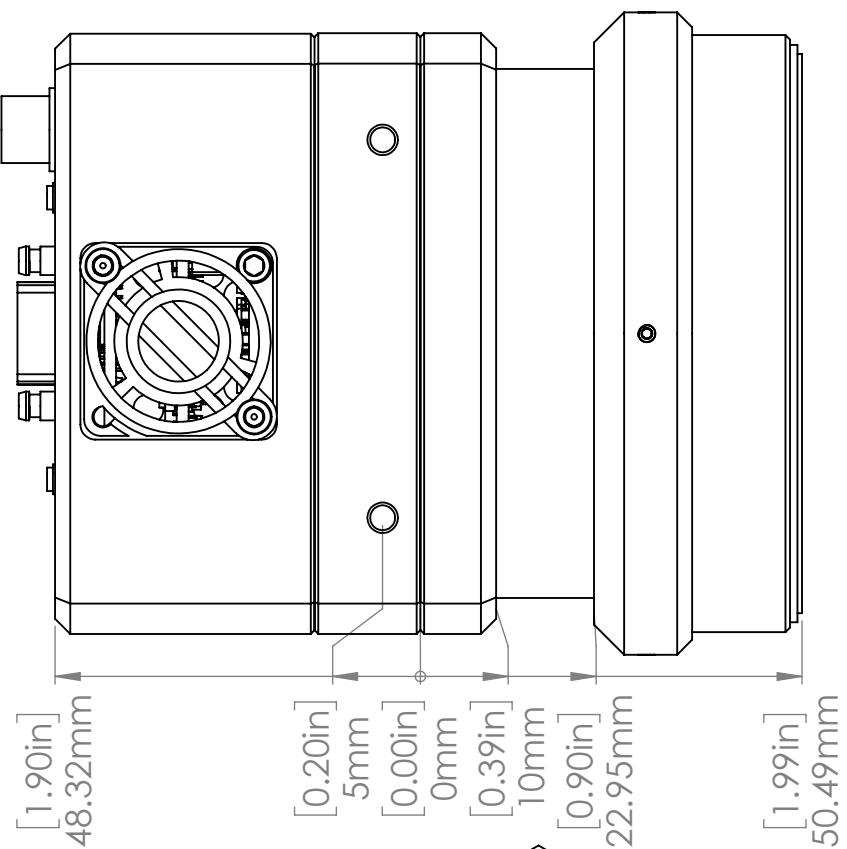


Copyright 2015 illunis LLC  
 All rights reserved. This material contains CONFIDENTIAL INFORMATION that is the property of illunis LLC. Any use, duplication or disclosure not specifically authorized in writing by illunis LLC is prohibited.



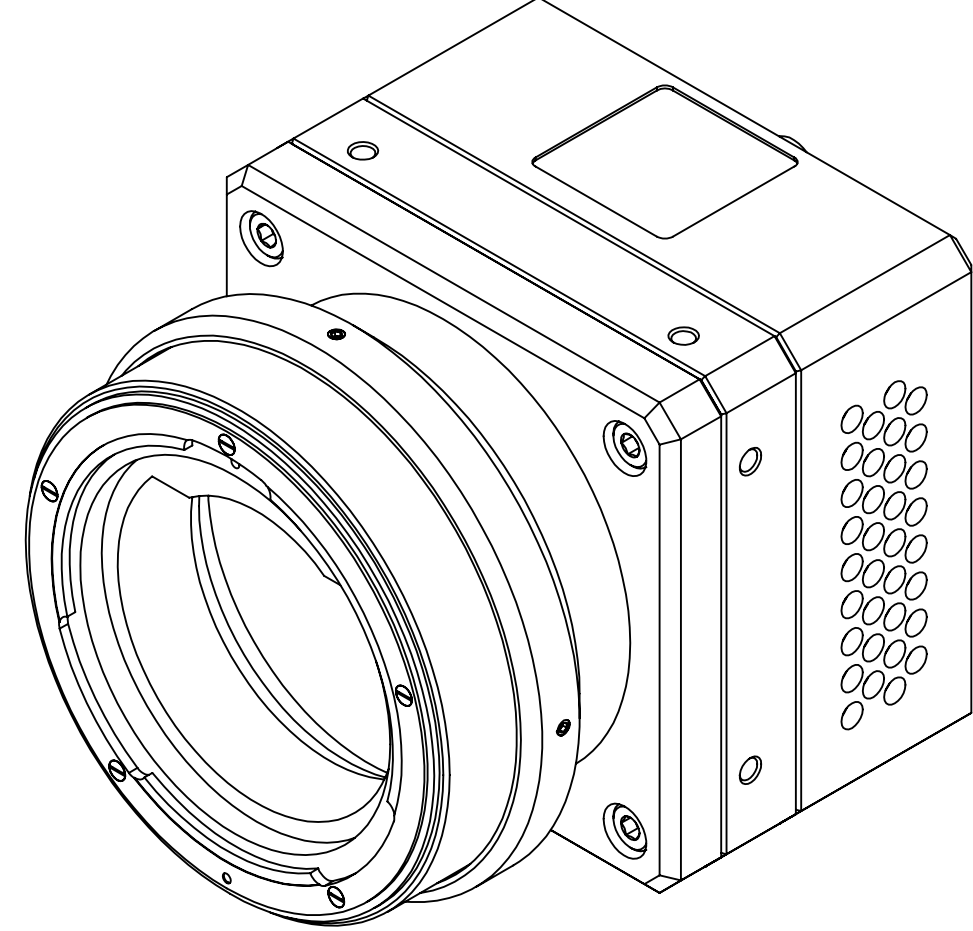
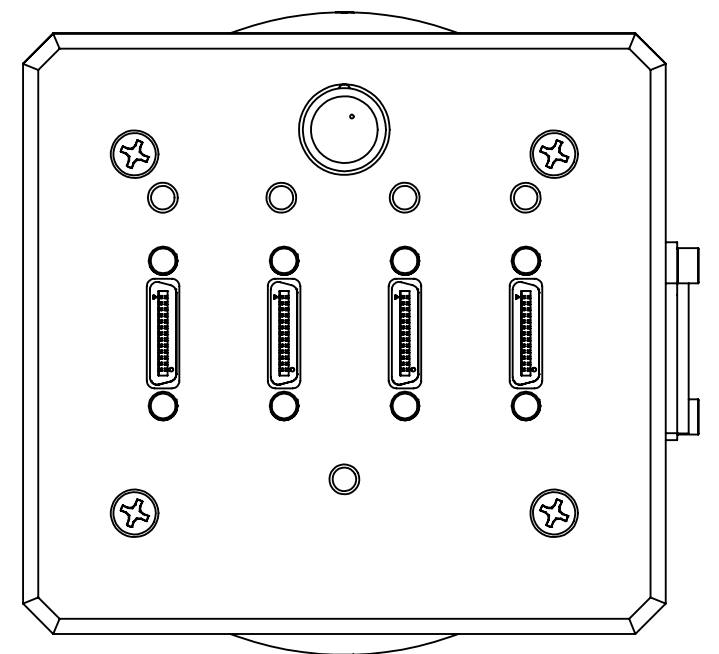
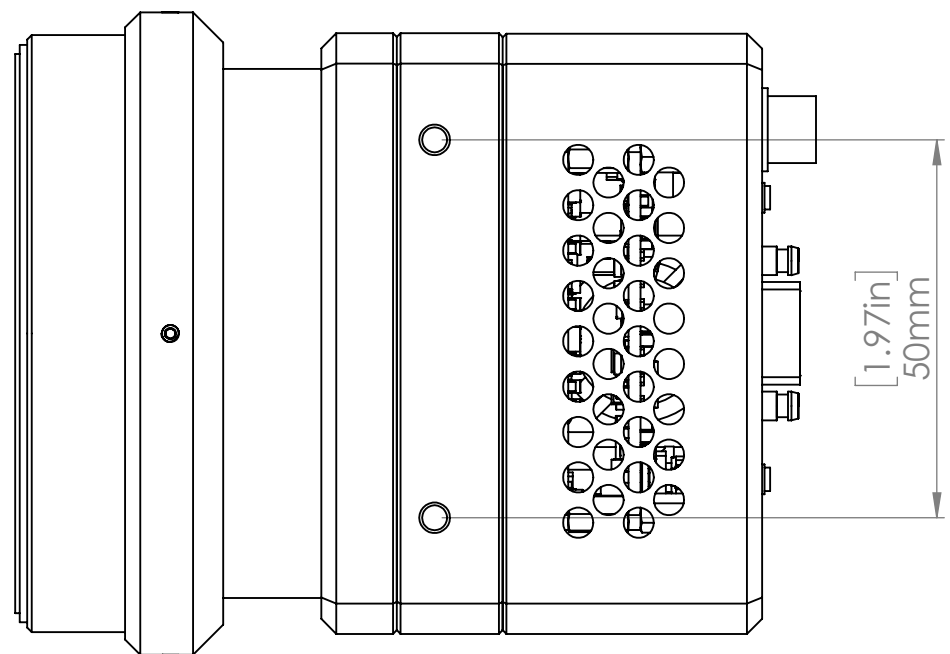
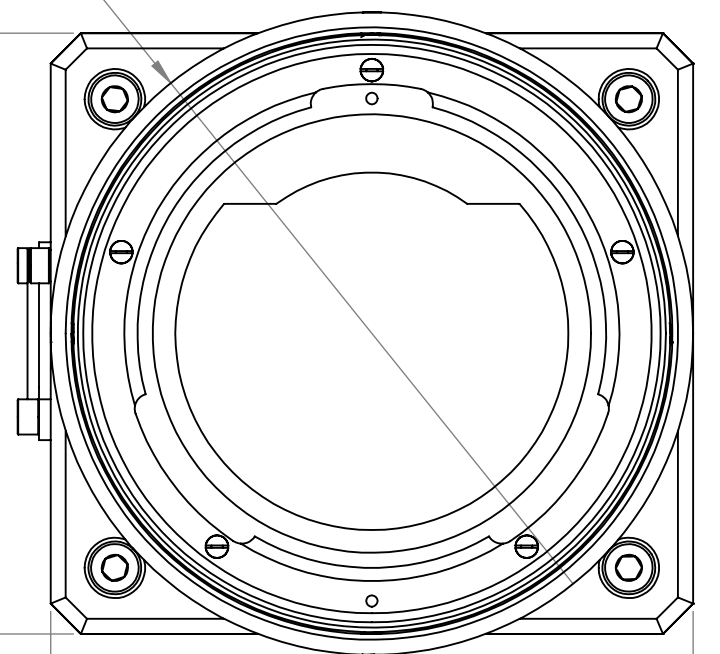
8 x  $\varnothing$  3.30mm [0.13in]  $\nabla$  7.10mm [0.28in]  
 M4x0.7 - 6H  $\nabla$  5mm [0.20in]  
 $\surd$   $\varnothing$  4.05mm [0.16in] X 90°, Near Side

[2.49in]  
 63.20mm



[3.13in]  
 79.46mm

[3.35in]  
 $\varnothing$  85mm



UNLESS OTHERWISE SPECIFIED  
 DIMENSIONS ARE IN mm [in]  
 TOLERANCES ARE:  
 DIMENSIONED ANGLES  $\pm$  0.5°

| DECIMAL mm        | DECIMALS in     |
|-------------------|-----------------|
| 0-30 $\pm$ .1     | .X $\pm$ .020   |
| 31-120 $\pm$ .2   | .XX $\pm$ .010  |
| 121-350 $\pm$ .4  | .XXX $\pm$ .005 |
| 351-1000 $\pm$ .8 |                 |

MACHINING REQUIREMENTS:  
 EDGE BREAKS TO BE 0.2mm [0.015in] MAX  
 REMOVE ALL BURRS AND SHARP EDGES

MATERIAL

DO NOT SCALE DRAWING

| BY       | DATE      |
|----------|-----------|
| DESIGNED |           |
| DRAWN    | 4/25/2016 |
| CHECKED  |           |

illunis  
 www.illunis.com

14700 Excelsion Blvd  
 Minnetonka, MN 55345  
 952-975-9203

**illunis LLC**

TITLE:  
 CMV-50M Mamiya Camera Link

| SIZE     | PART NO. | REV |
|----------|----------|-----|
| <b>C</b> |          |     |

SCALE: 1:1 WEIGHT: SHEET 3 OF 3