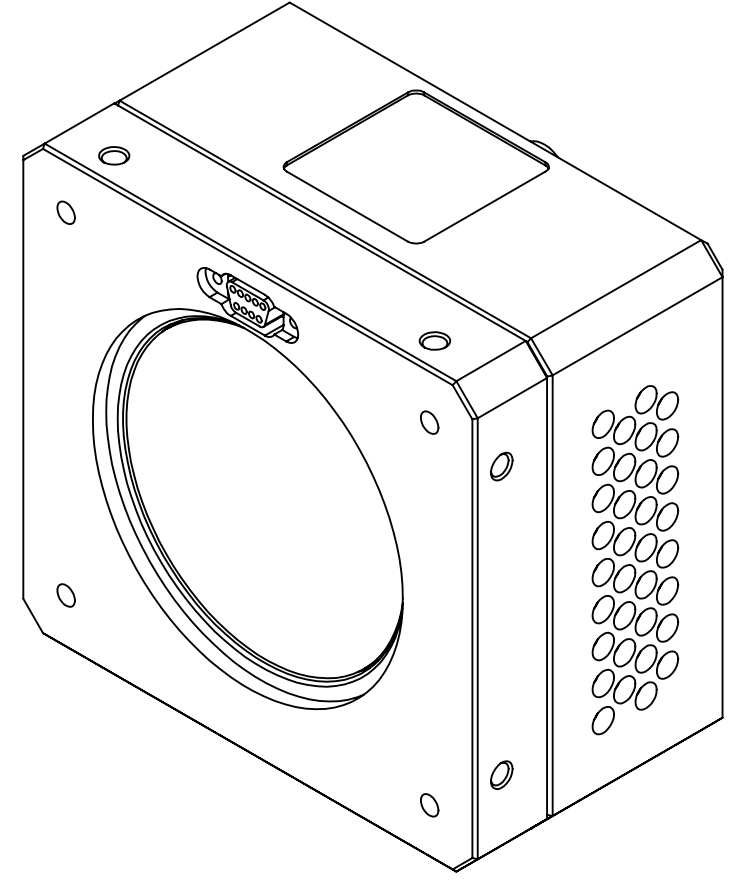
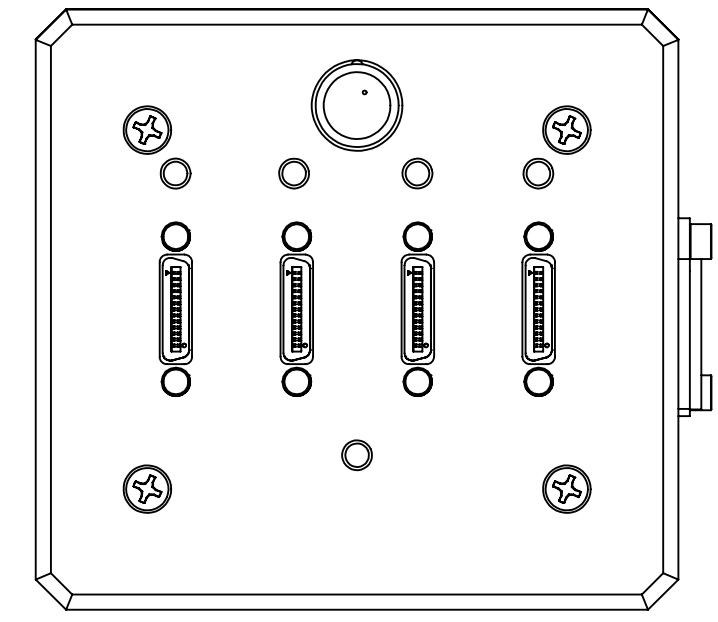
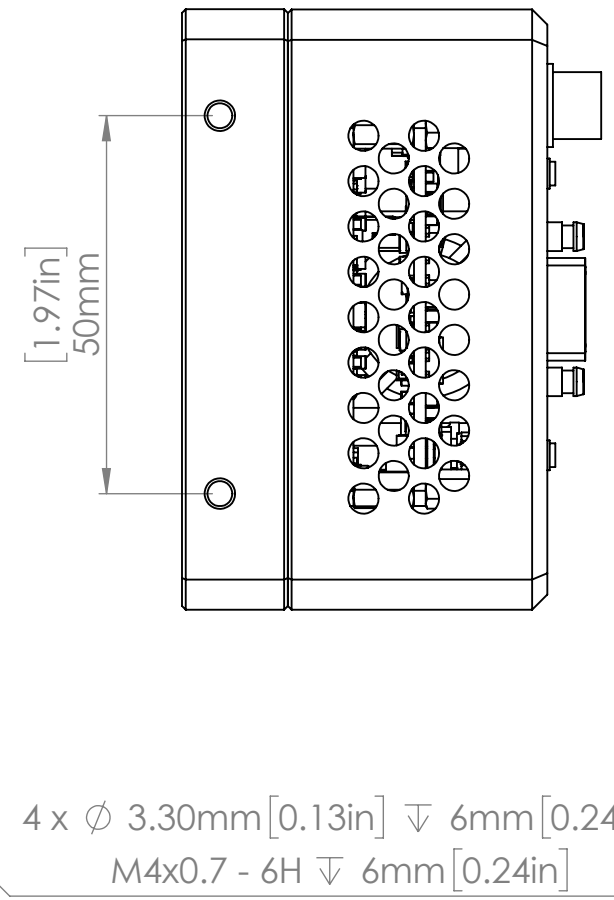
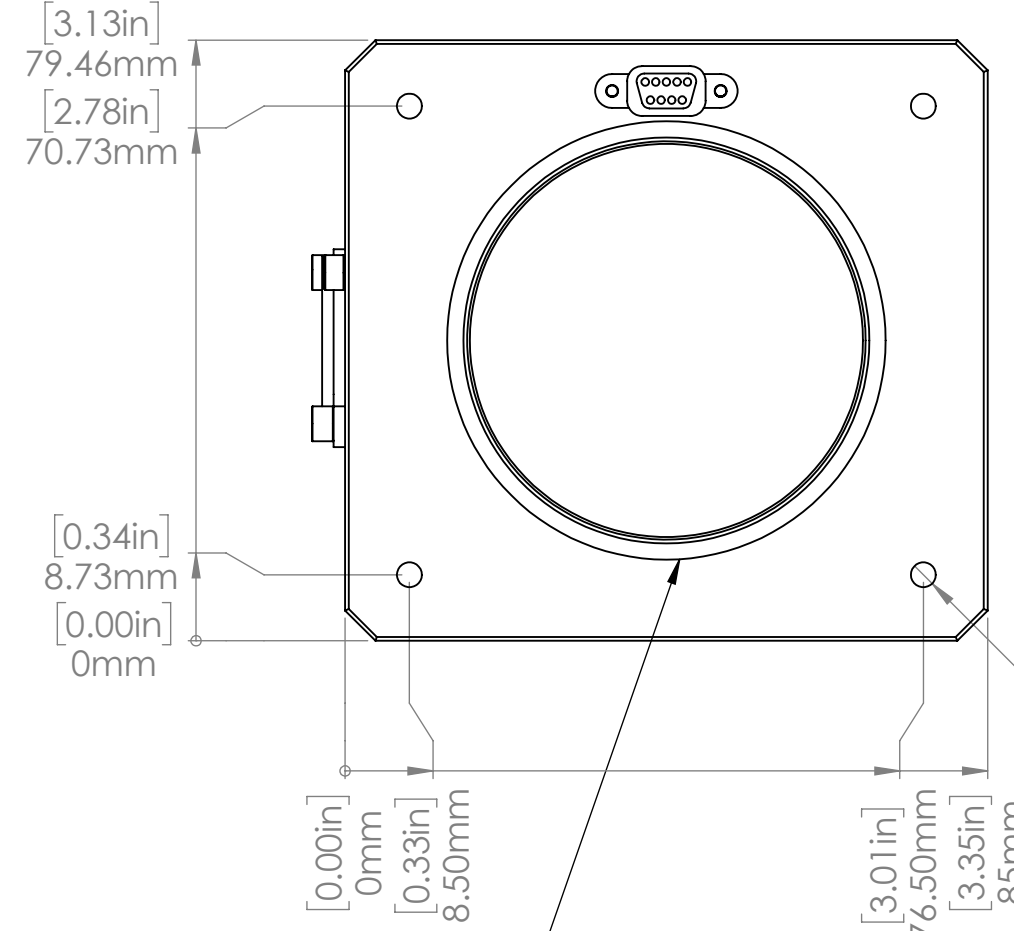
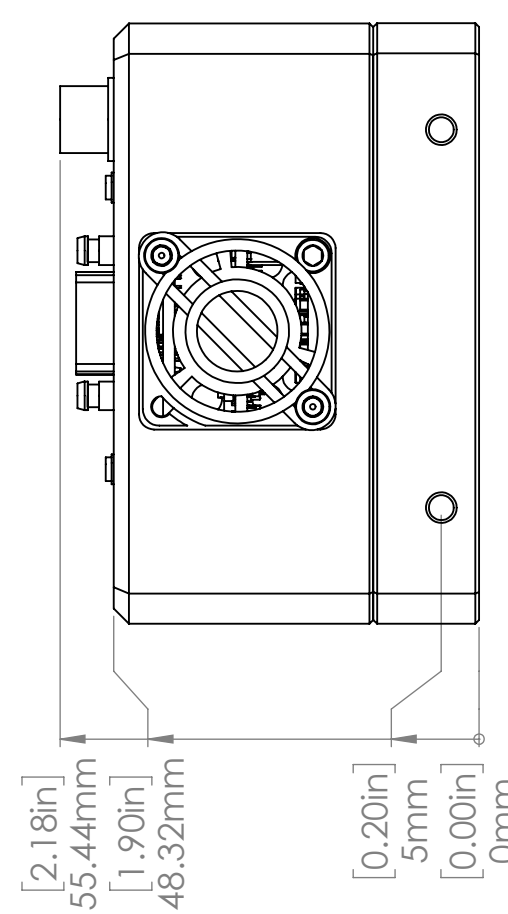
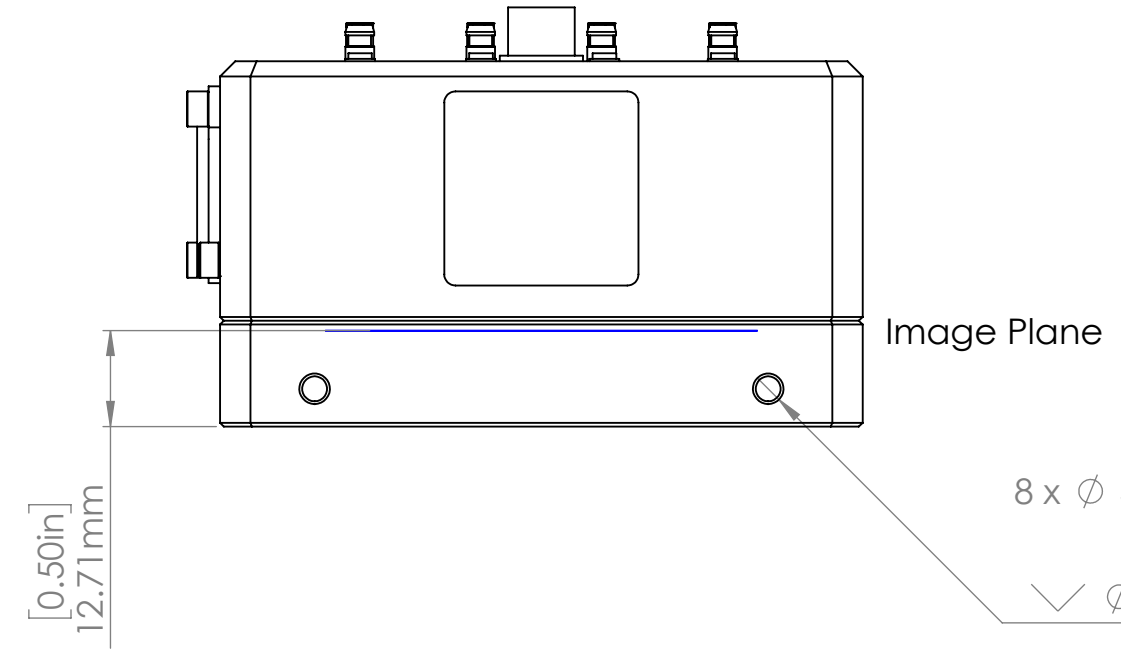


Copyright 2015 illunis LLC
 All rights reserved. This material contains CONFIDENTIAL INFORMATION that is the property of illunis LLC. Any use, duplication or disclosure not specifically authorized in writing by illunis LLC is prohibited.

REVISIONS				
ZONE	REV.	DESCRIPTION	DATE	APPROVED
	A	Release	10/31/2016	STE



M58 x .75

UNLESS OTHERWISE SPECIFIED
 DIMENSIONS ARE IN mm [in]
 TOLERANCES ARE:
 DIMENSIONED ANGLES \pm 0.5°

DECIMAL mm	DECIMALS in
0-30 \pm .1	.X \pm .020
31-120 \pm .2	.XX \pm .010
121-350 \pm .4	.XXX \pm .005
351-1000 \pm .8	

MACHINING REQUIREMENTS:
 EDGE BREAKS TO BE 0.2mm [0.015in] MAX
 REMOVE ALL BURRS AND SHARP EDGES

MATERIAL
 DO NOT SCALE DRAWING

BY	DATE
DESIGNED	
DRAWN	4/25/2016
CHECKED	



illunis LLC		14700 Excelsion Blvd Minnetonka, MN 55345 952-975-9203
TITLE: CMV-50M Camera Link OEM		
SIZE C	PART NO.	REV
SCALE: 1:1	WEIGHT:	SHEET 1 OF 1