

Copyright 2015 illunis LLC  
 All rights reserved. This material contains CONFIDENTIAL INFORMATION that is the property of illunis LLC. Any use, duplication or disclosure not specifically authorized in writing by illunis LLC is prohibited.

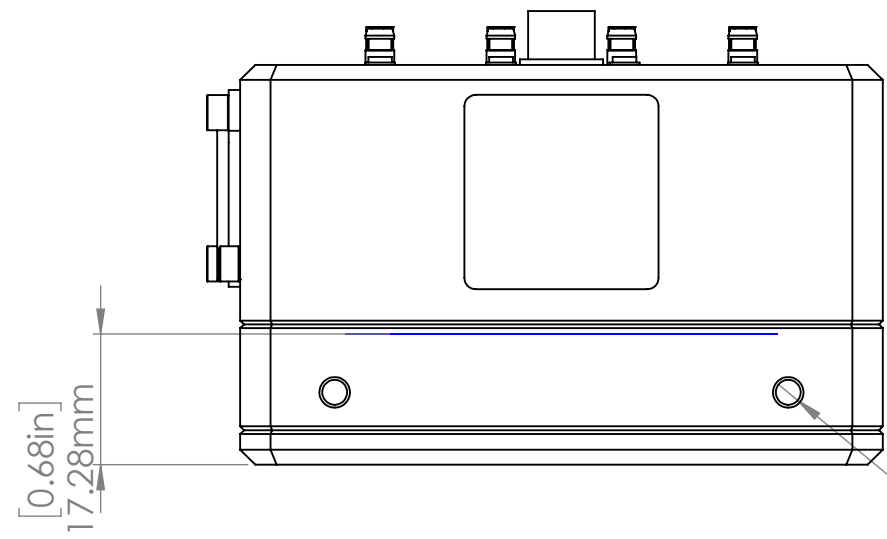
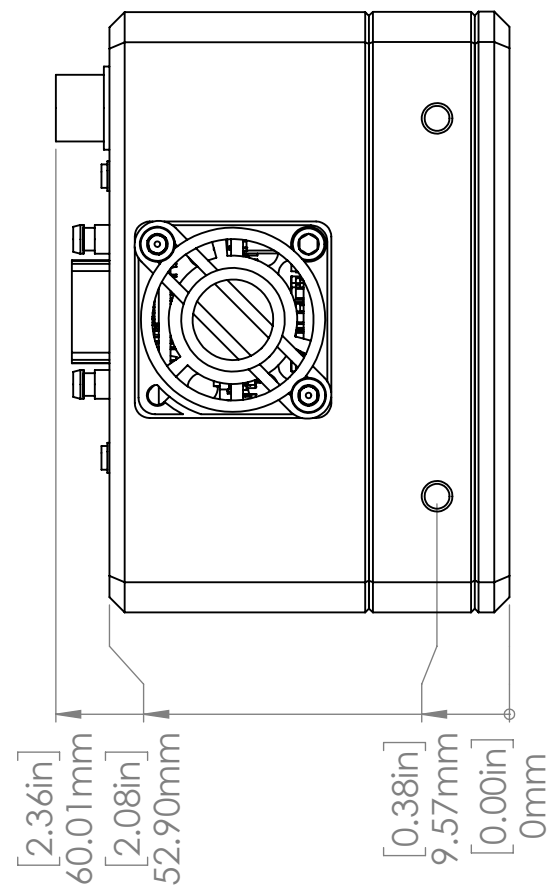


Image Plane

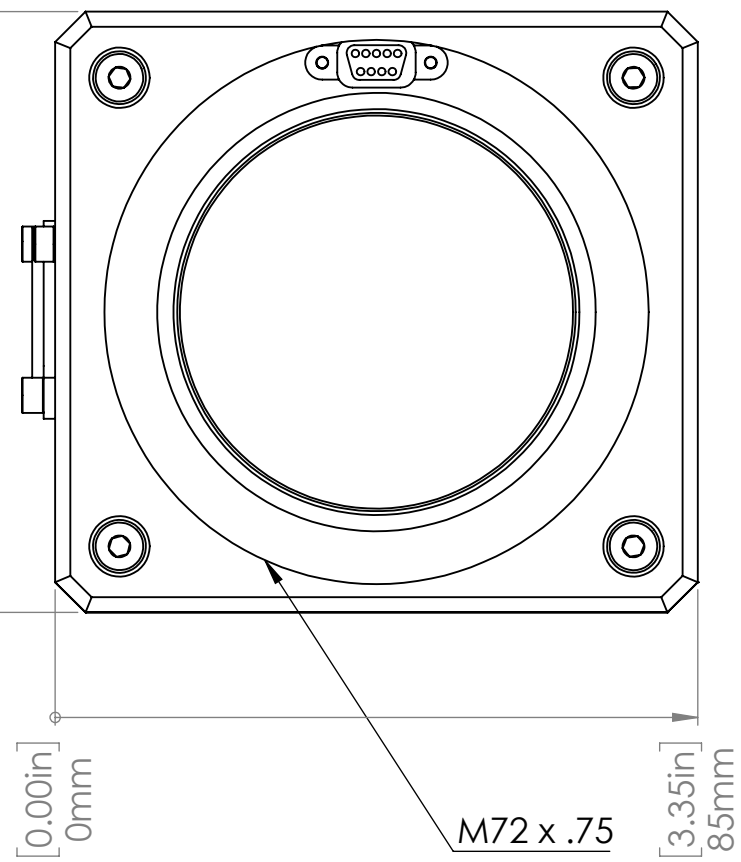
8 x  $\varnothing$  3.30mm [0.13in]  $\nabla$  7.10mm [0.28in]  
 M4x0.7 - 6H  $\nabla$  5mm [0.20in]  
 $\sphericalangle$   $\varnothing$  4.05mm [0.16in] X 90°, Near Side

[0.68in]  
 17.28mm



[2.36in] 60.01mm  
 [2.08in] 52.90mm  
 [0.38in] 9.57mm  
 [0.00in] 0mm

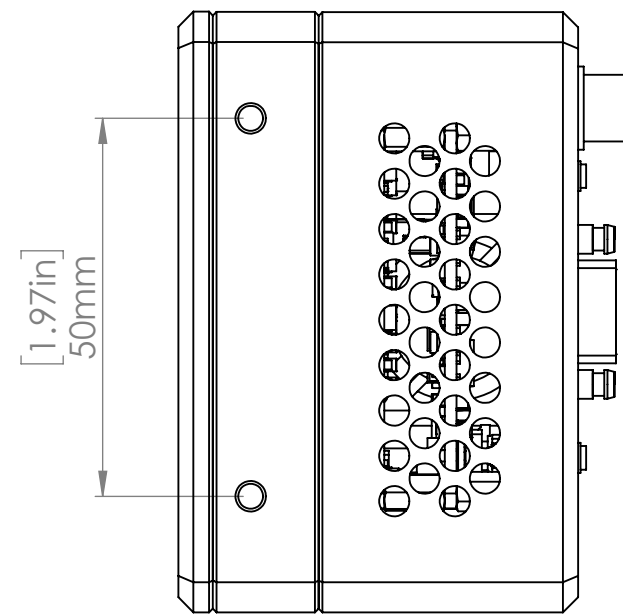
[3.13in] 79.46mm



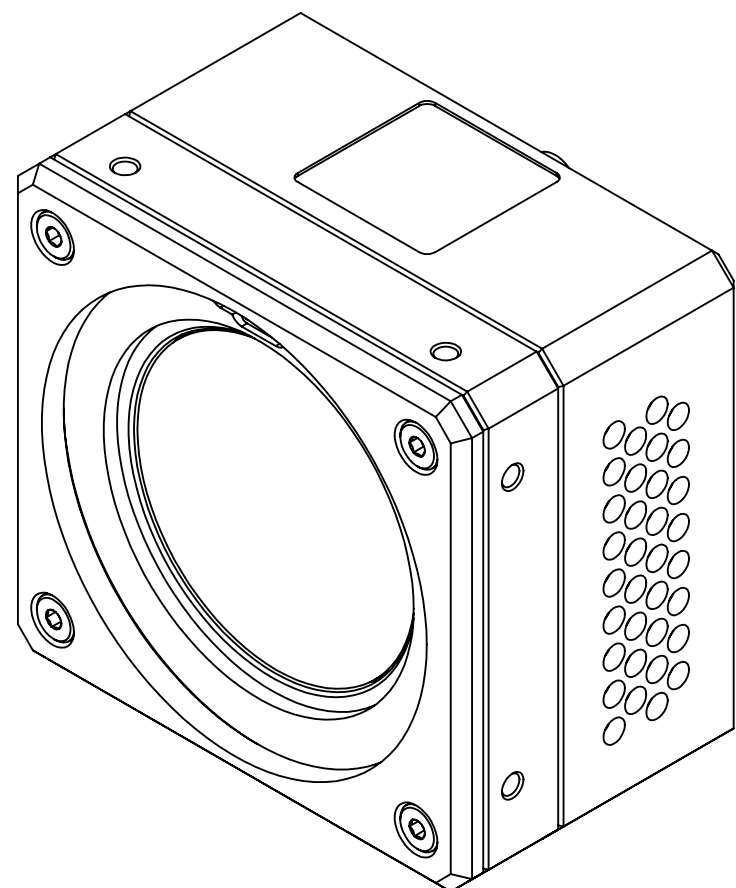
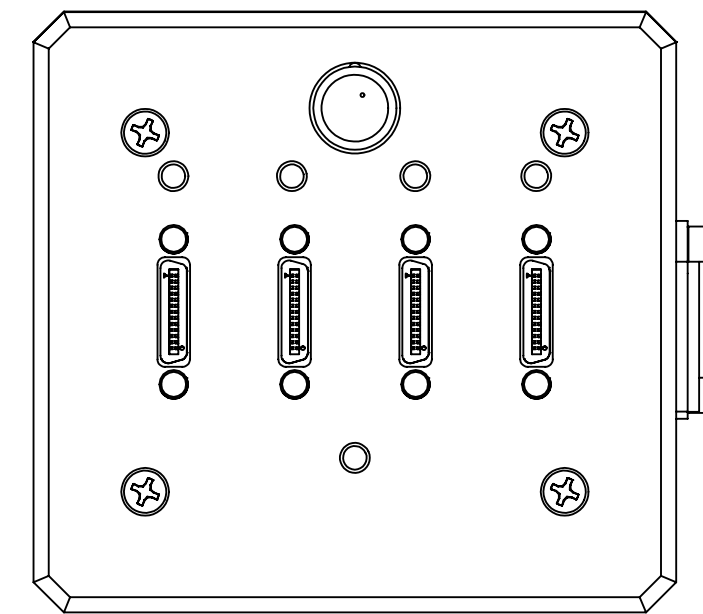
[0.00in] 0mm

M72 x .75

[3.35in] 85mm



[1.97in] 50mm



UNLESS OTHERWISE SPECIFIED  
 DIMENSIONS ARE IN mm [in]  
 TOLERANCES ARE:  
 DIMENSIONED ANGLES  $\pm$  0.5°

DECIMAL mm	DECIMALS in
0-30 $\pm$ .1	.X $\pm$ .020
31-120 $\pm$ .2	.XX $\pm$ .010
121-350 $\pm$ .4	.XXX $\pm$ .005
351-1000 $\pm$ .8	

BY DATE

DESIGNED	
DRAWN	4/25/2016
CHECKED	

**illunis LLC**

14700 Excelsion Blvd  
 Minnetonka, MN 55345  
 952-975-9203

TITLE:  
**CMV-50M M72 Camera Link**

MACHINING REQUIREMENTS:  
 EDGE BREAKS TO BE 0.2mm [0.015in] MAX  
 REMOVE ALL BURRS AND SHARP EDGES

MATERIAL  
 DO NOT SCALE DRAWING



SIZE <b>C</b>	PART NO.	REV
SCALE: 1:1	WEIGHT:	SHEET 2 OF 2