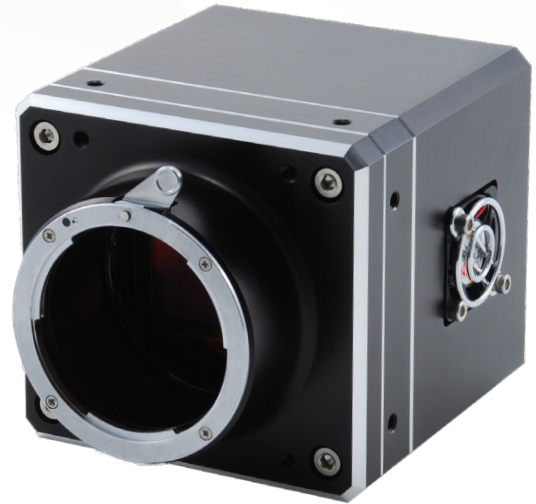




CMV-50 USB3

Global Shutter CMOS

7920 x 6004 - 4.6µm PIXEL at 6.8 fps



The CMV-50 is a 24 tap 50 megapixel global shutter CMOS digital camera! The CMV-50 is available in color and monochrome versions and is designed for use in industrial, machine vision, aerial imaging, military surveillance, and scientific applications.

The CMV-50 Global Shutter CMOS offers outstanding quality by using the ams/CMOSIS CMV50000ES-1E3M1PA or CMV50000ES-1E3C1PA sensors. The image sensor has 24 digital outputs resulting in 6.8 fps at full resolution using USB3. Higher frame rates can be achieved in ROI/windowing mode.

CMV-50 USB3 CMOS HIGHLIGHTS

- ✓ 7920 X 6004 4.6µm active pixels
- ✓ Dimensions 36.4x27.6mm ~ Approximately 35mm Full Frame
- ✓ Global Shutter CMOS
- ✓ Dynamic Range 64dB
- ✓ 8/10/12 bits up to 6.8 fps, faster with ROI
- ✓ 8/10/12 bit selectable data output
- ✓ Field Updatable Firmware
- ✓ Windowing ROI capability
- ✓ Pleora USB3
- ✓ M58/OEM, M72, Nikon F, and Canon EF lens mounts

CMV-50 USB3 CMOS SPECIFICATIONS

Sensor	ams/CMOSIS CMV50000
Architecture	Global Shutter CMOS
Configuration	Mono, Bayer Color
Active Pixels	7920 (H) x 6004 (V), 47.5 Mpix
Pixel Size	4.6 x 4.6µm
Active Image Size	36.4 x 27.6mm (35mm Full Frame)
Sensor Outputs	24 lvds outputs from sensor. Digitized 12 bits, Output 8/10/12 bits
Frame Rate (USB-3)	See Table
Dynamic Range	64dB
Well Depth (e)	16000e
Minimum Exposure	110 µsec
Read Noise	2.4 DN
Trigger Modes	Free Run, Trigger
Power	7-12VDC at 6W
Operating Temp (USB-3)	0°C to 40°C
Defect Correction	Row, Column, Pixel, Hot Pixel
Lens Mount Options	M58/OEM, M72, Nikon F, Canon EF
Options	Tripod Adapter

Data Interface	bits / pixel	Frame Rate
USB3	8	6.8
USB3	10	3.3
USB3	12	3.3

All illunis cameras come with our free camera control software, which allows interactive setup of all camera parameters.



Get in Touch

✉ info@illunis.com

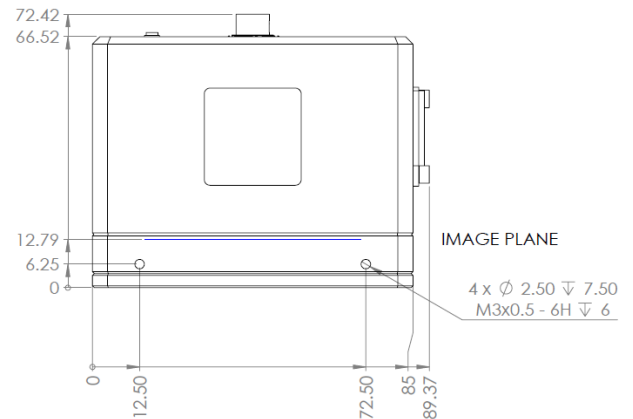


CONTACT US

illunis, LLC
14700 Excelsior Boulevard
Minnetonka, MN 55345 USA

☎ +1.952.975.9203
☎ +1.952.294.8308 (fax)
✉ info@illunis.com
🌐 www.illunis.com

M58 DIMENSIONS



APPLICATIONS

- ✓ LCD/FPD INSPECTION
- ✓ AERIAL IMAGING
- ✓ SCIENTIFIC IMAGING
- ✓ DNA SEQUENCING
- ✓ TRAFFIC MANAGEMENT
- ✓ MILITARY APPLICATIONS
- ✓ PERSISTANT SURVEILLANCE
- ✓ PCB INSPECTION

The Pleora EBUS SDK can be found at:
<http://pleora.com/our-products/ebus-sdk>