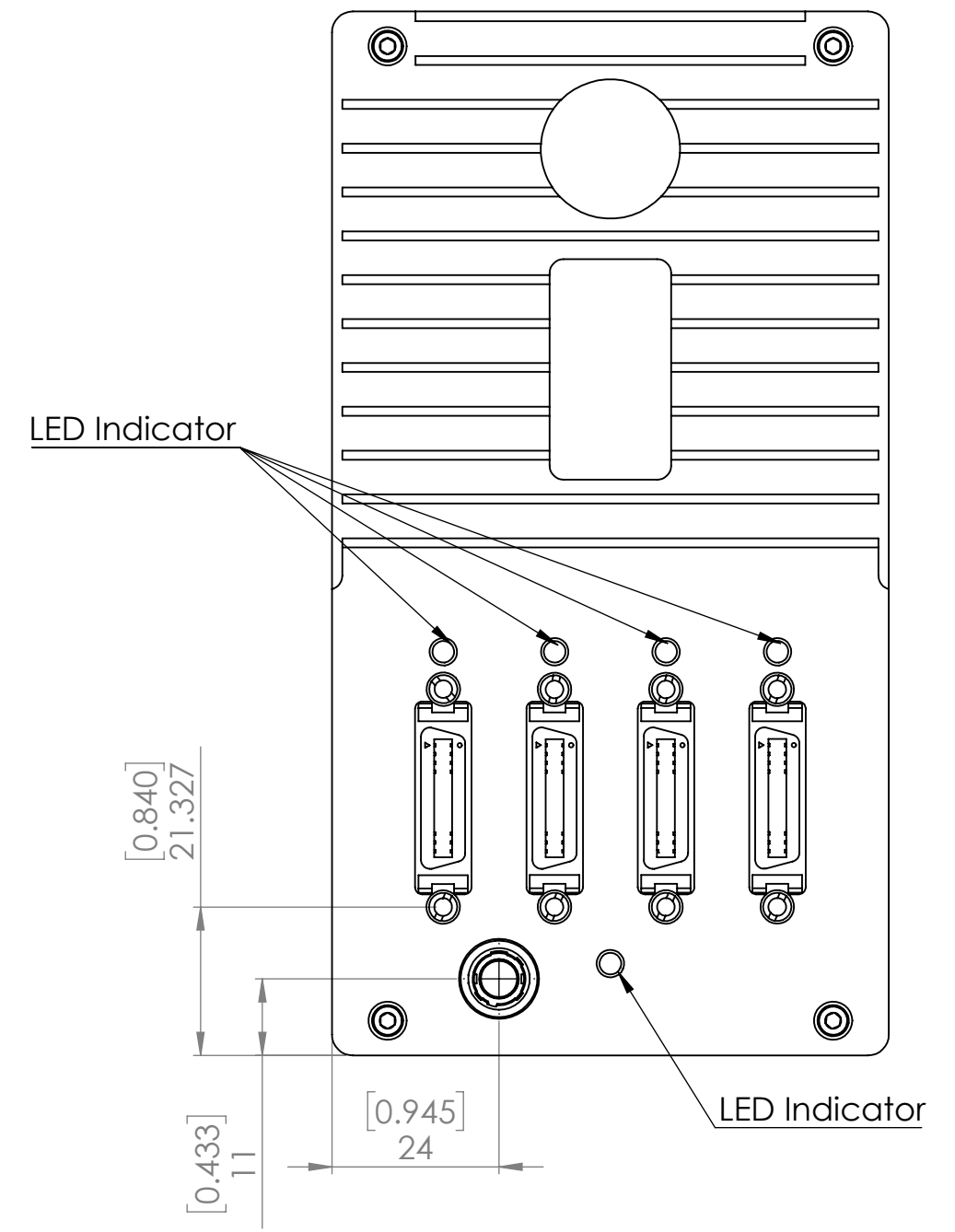
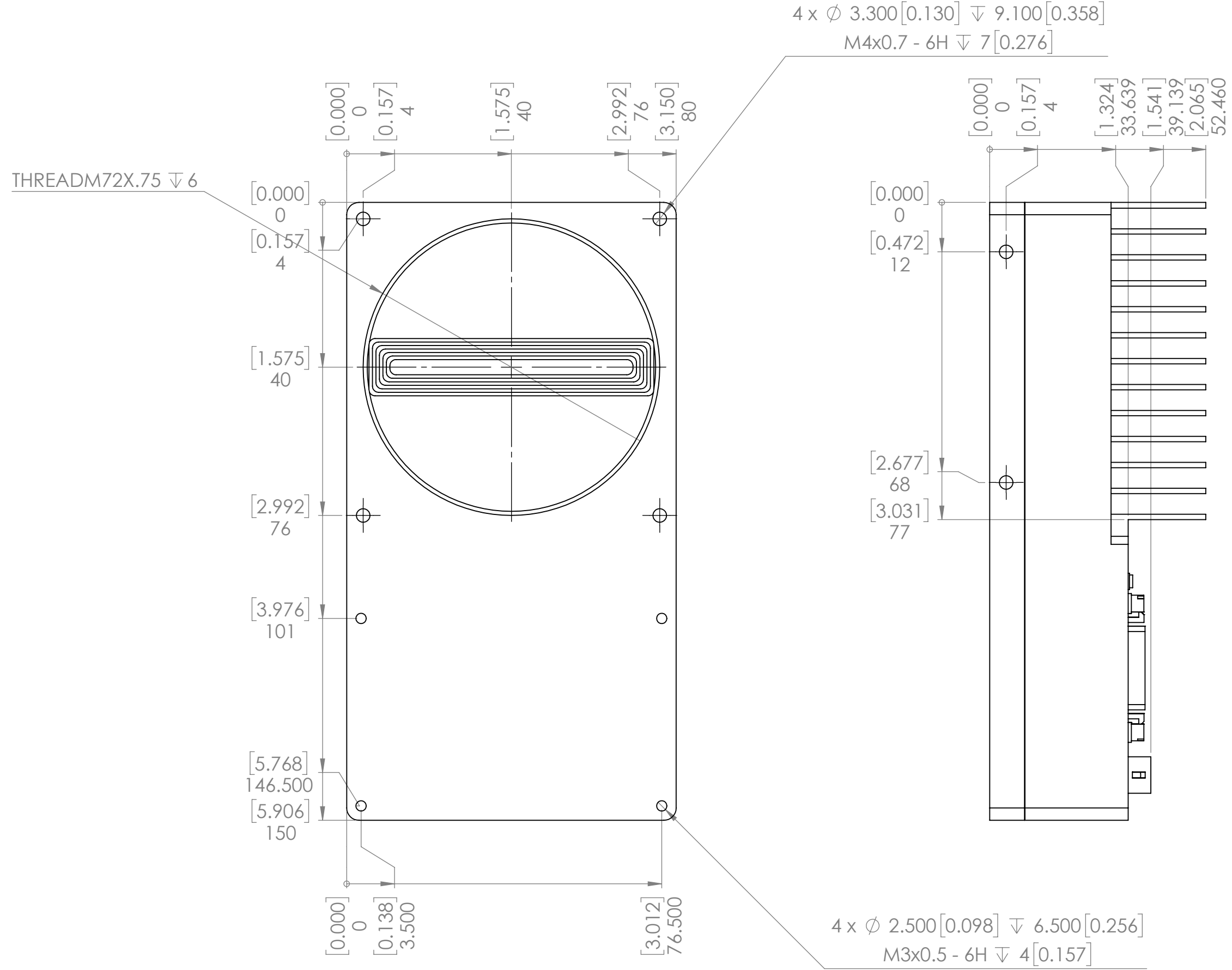
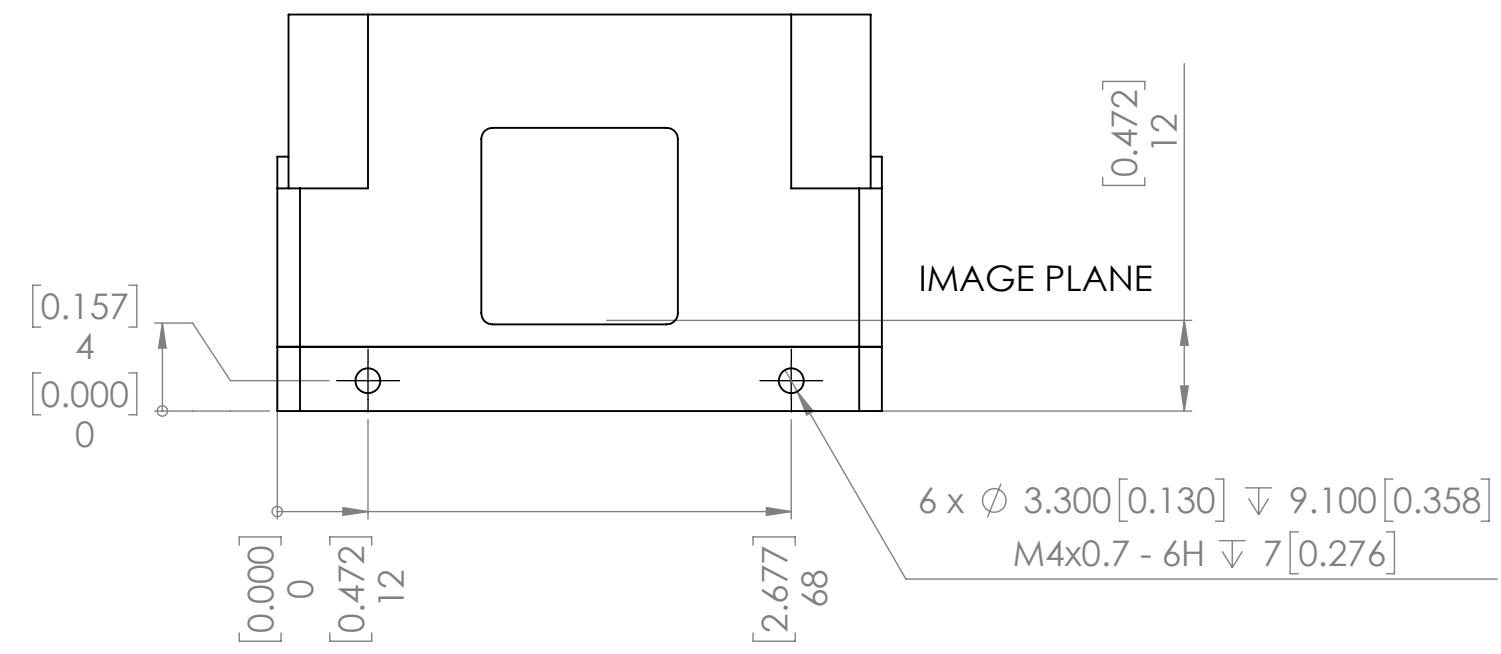



Copyright 2014 illunis LLC
 All rights reserved. This material contains CONFIDENTIAL INFORMATION that is the property of illunis LLC. Any use, duplication or disclosure not specifically authorized in writing by illunis LLC is prohibited.

REVISIONS				
ZONE	REV.	DESCRIPTION	DATE	APPROVED
	A	Release	2/12/2016	STE



UNLESS OTHERWISE SPECIFIED DIMENSIONS ARE IN mm [in] TOLERANCES ARE: DIMENSIONED ANGLES \pm 0.5°	DECIMAL mm	DECIMALS in	BY	DATE	illunis LLC 14700 Excelsion Blvd Minnetonka, MN 55345 952-975-9203		
	0-30 \pm .1	.X \pm .020	DESIGNED				
	31-120 \pm .2	.XX \pm .010	DRAWN	3/20/2015			
	121-350 \pm .4	.XXX \pm .005	CHECKED				
351-1000 \pm .8					16K Linescan Assembly TITLE:		
MACHINING REQUIREMENTS: EDGE BREAKS TO BE 0.2mm [0.015in] MAX REMOVE ALL BURRS AND SHARP EDGES	MATERIAL		 www.illunis.com		SIZE C	PART NO. 26-02352	REV A
DO NOT SCALE DRAWING			SCALE: 1:1	WEIGHT:	SHEET 1 OF 4		