

Copyright 2019 illunis LLC  
 All rights reserved. This material contains CONFIDENTIAL INFORMATION that is the property of illunis LLC. Any use, duplication or disclosure not specifically authorized in writing by illunis LLC is prohibited.

REVISIONS				
ZONE	REV.	DESCRIPTION	DATE	APPROVED
	A	Release	9/30/2019	STE

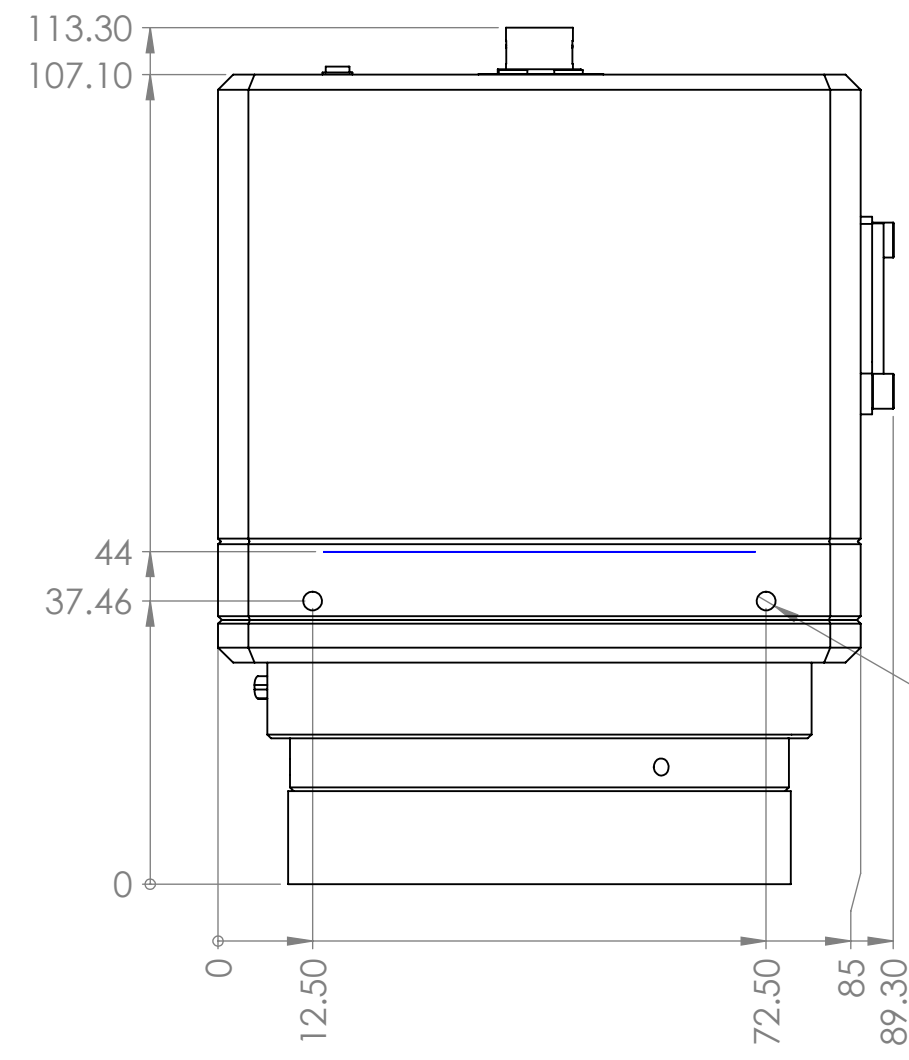
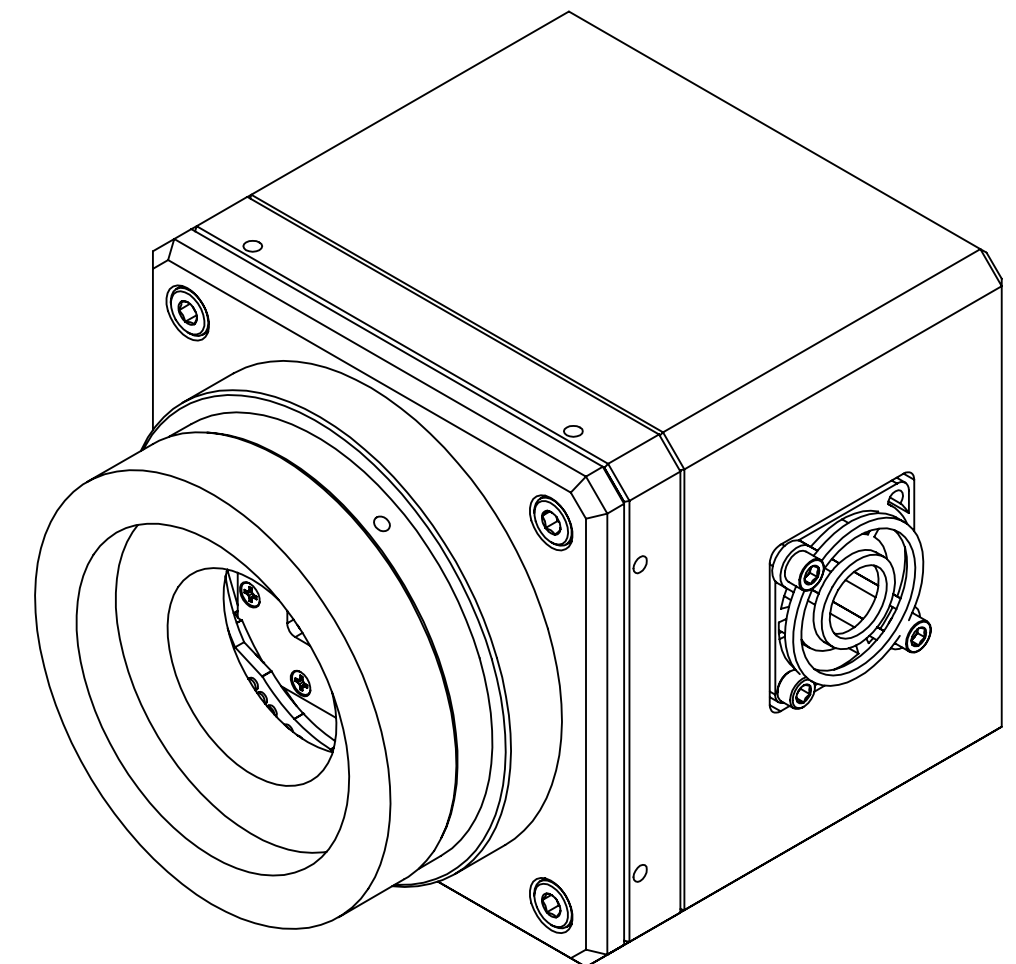
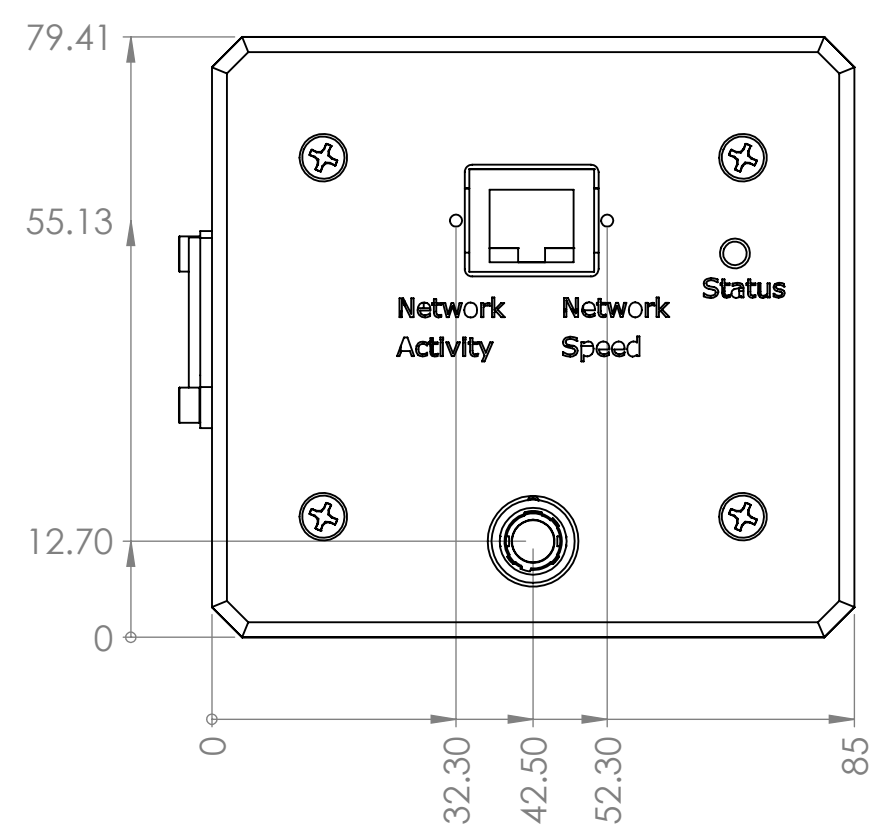
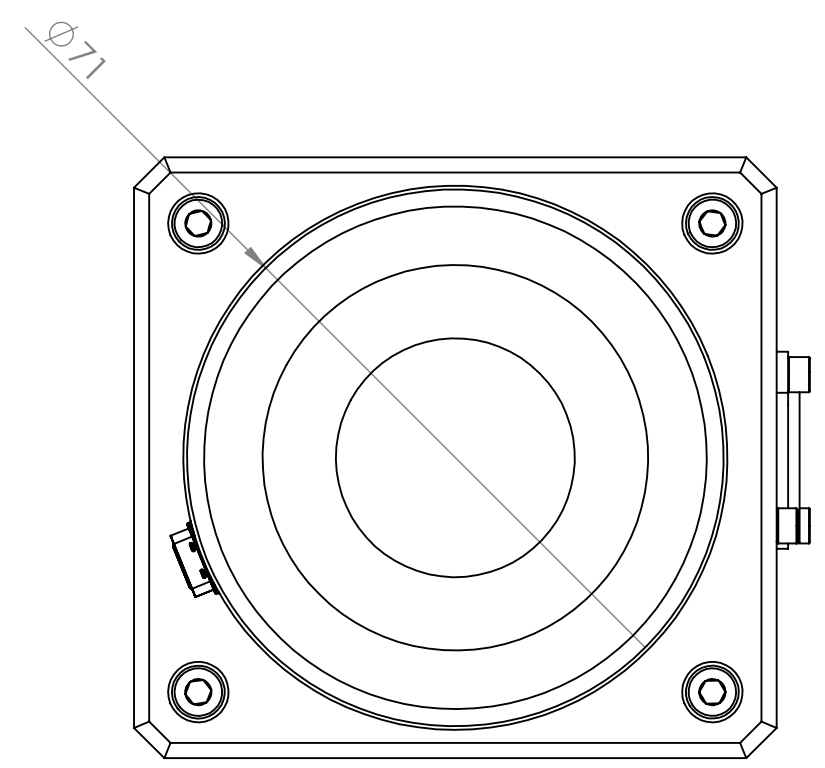
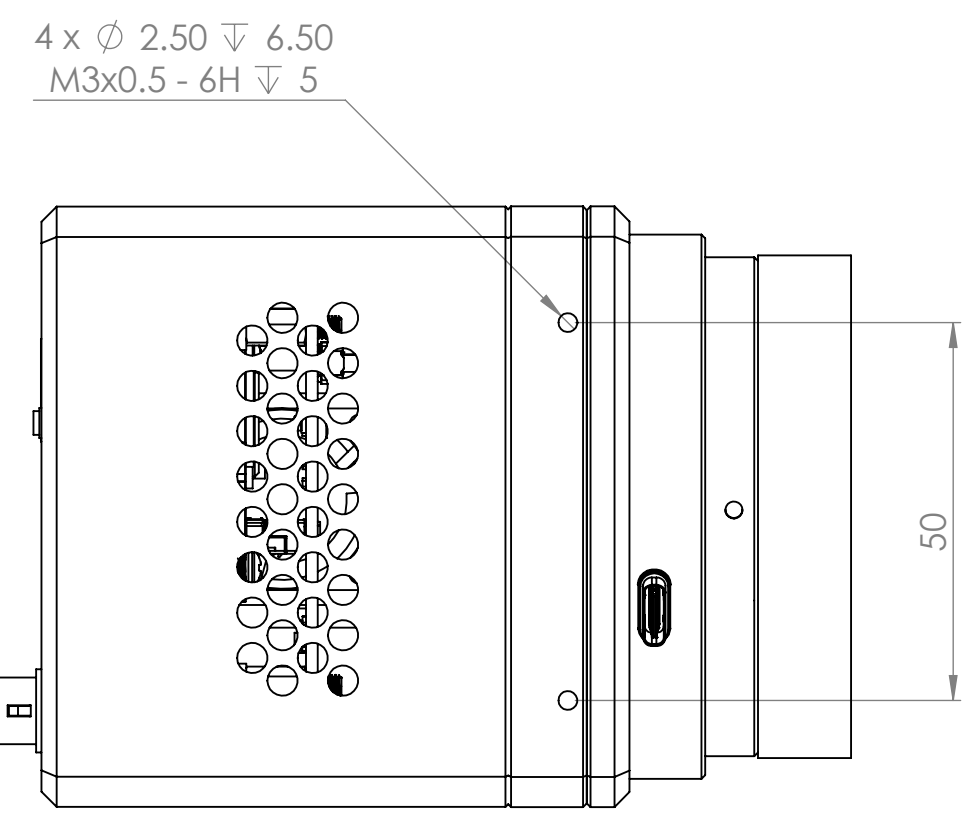


IMAGE PLANE  
 4 x  $\varnothing$  2.50  $\nabla$  7.50  
 M3x0.5 - 6H  $\nabla$  6



UNLESS OTHERWISE SPECIFIED  
 DIMENSIONS ARE IN mm [in]  
 TOLERANCES ARE:  
 DIMENSIONED ANGLES  $\pm$  0.5°

DECIMAL mm	DECIMALS in
0-30 $\pm$ .1	.X $\pm$ .020
31-120 $\pm$ .2	.XX $\pm$ .010
121-350 $\pm$ .4	.XXX $\pm$ .005
351-1000 $\pm$ .8	

MACHINING REQUIREMENTS:  
 EDGE BREAKS TO BE 0.2mm [0.015in] MAX  
 REMOVE ALL BURRS AND SHARP EDGES

MATERIAL  
 DO NOT SCALE DRAWING

BY	DATE
DESIGNED	9/30/2019
DRAWN	9/30/2019
CHECKED	Admin



**illunis LLC**  
 14700 Excelsion Blvd  
 Minnetonka, MN 55345  
 952-975-9203

TITLE:  
**CMV 50M GigE Canon EF**

SIZE <b>C</b>	PART NO.	REV <b>A</b>
SCALE: 1:1	WEIGHT:	SHEET 1 OF 1