

Copyright 2019 illunis LLC
 All rights reserved. This material contains CONFIDENTIAL INFORMATION that is the property of illunis LLC. Any use, duplication or disclosure not specifically authorized in writing by illunis LLC is prohibited.

| REVISIONS | | | | |
|-----------|------|-------------|-----------|----------|
| ZONE | REV. | DESCRIPTION | DATE | APPROVED |
| | A | Release | 9/30/2019 | STE |

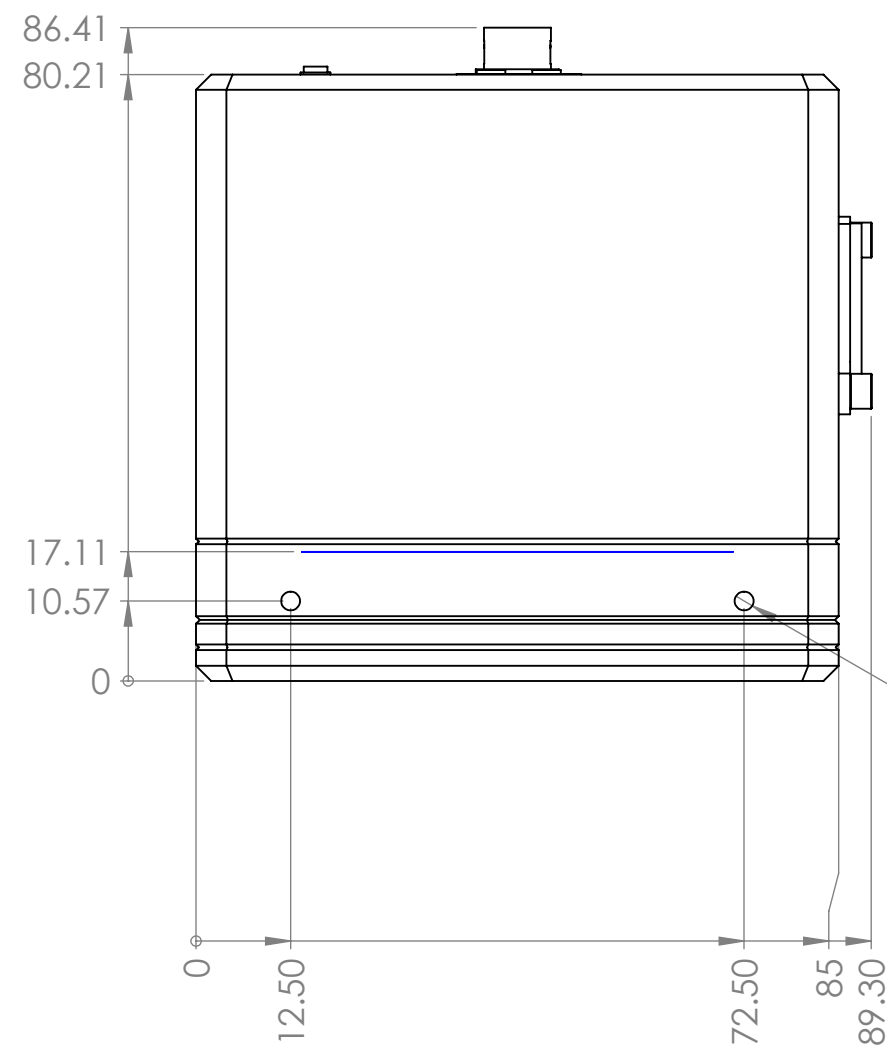
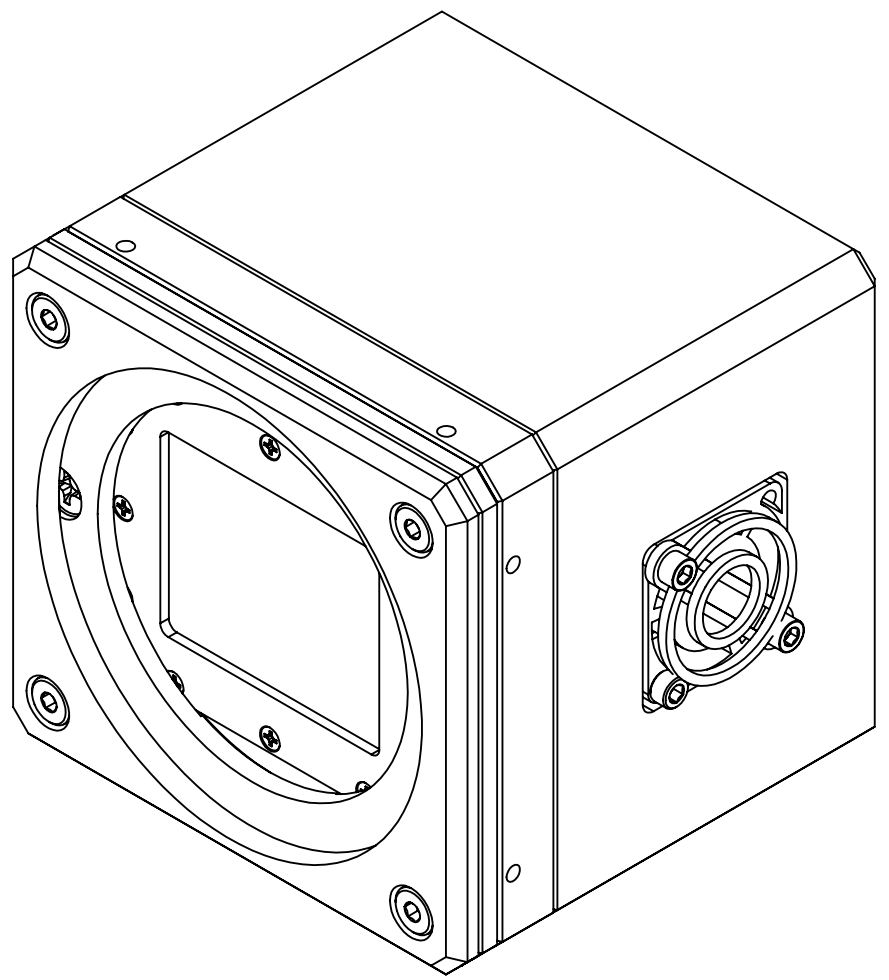
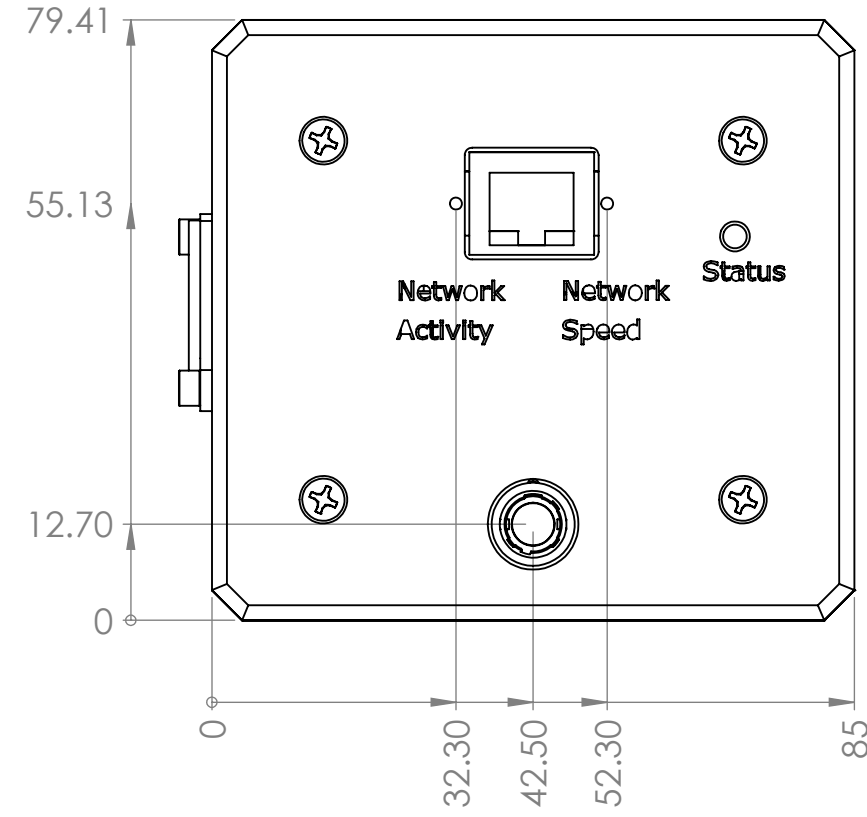
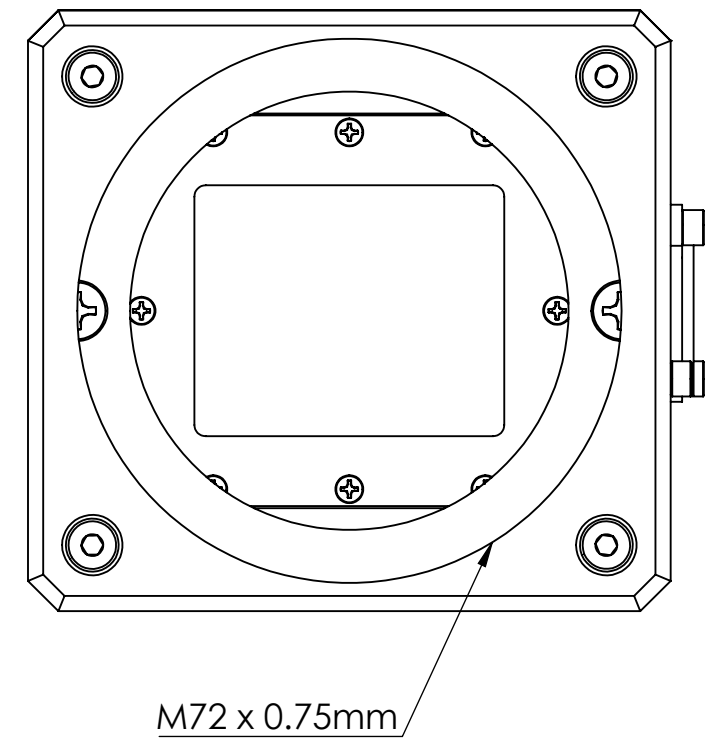
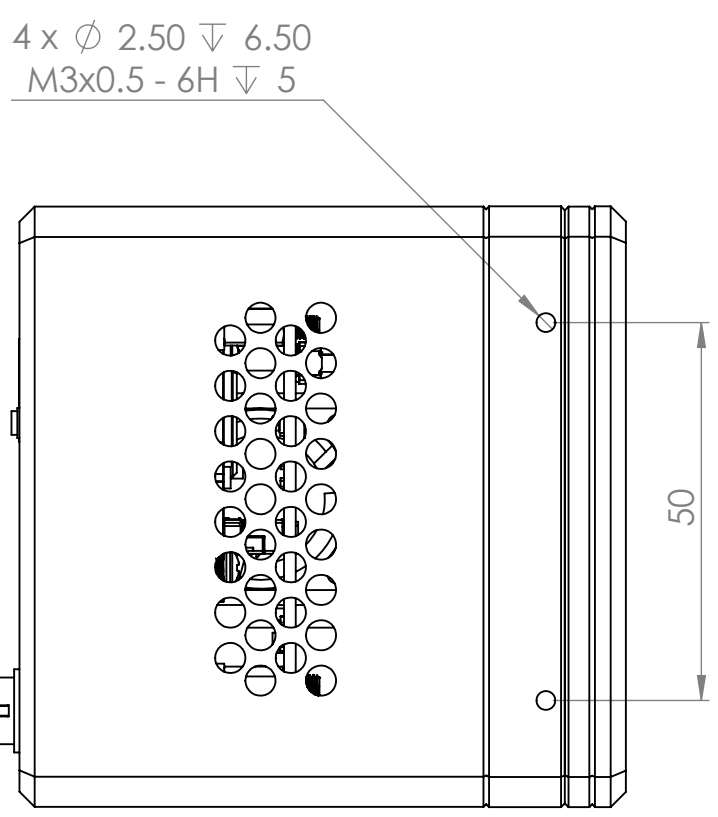


IMAGE PLANE
 4 x \varnothing 2.50 ∇ 7.50
 M3x0.5 - 6H ∇ 6



| UNLESS OTHERWISE SPECIFIED | DECIMAL mm | DECIMALS in |
|----------------------------|---------------|-------------|
| DIMENSIONS ARE IN mm [in] | 0-30 ± .1 | .X ± .020 |
| TOLERANCES ARE: | 31-120 ± .2 | .XX ± .010 |
| | 121-350 ± .4 | .XXX ± .005 |
| DIMENSIONED ANGLES ± 0.5° | 351-1000 ± .8 | |

MACHINING REQUIREMENTS:
 EDGE BREAKS TO BE 0.2mm [0.015in] MAX
 REMOVE ALL BURRS AND SHARP EDGES

MATERIAL
 DO NOT SCALE DRAWING

| BY | DATE |
|----------|-----------|
| DESIGNED | 9/30/2019 |
| DRAWN | 9/30/2019 |
| CHECKED | Admin |



| | | |
|-----------------------------------|----------|--|
| illunis LLC | | 14700 Excelsion Blvd Minnetonka, MN 55345 952-975-9203 |
| TITLE: CMV 50M GigE M72 | | |
| SIZE C | PART NO. | REV A |
| SCALE: 1:1 | WEIGHT: | SHEET 1 OF 1 |