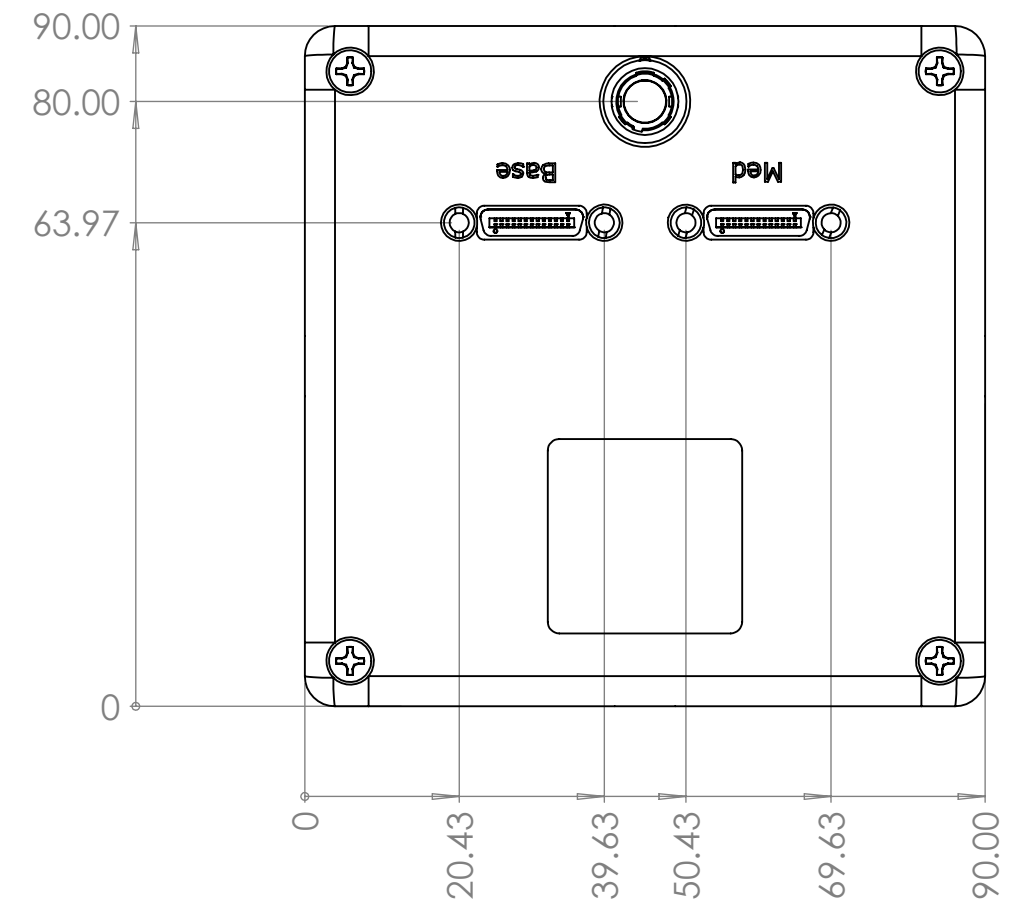
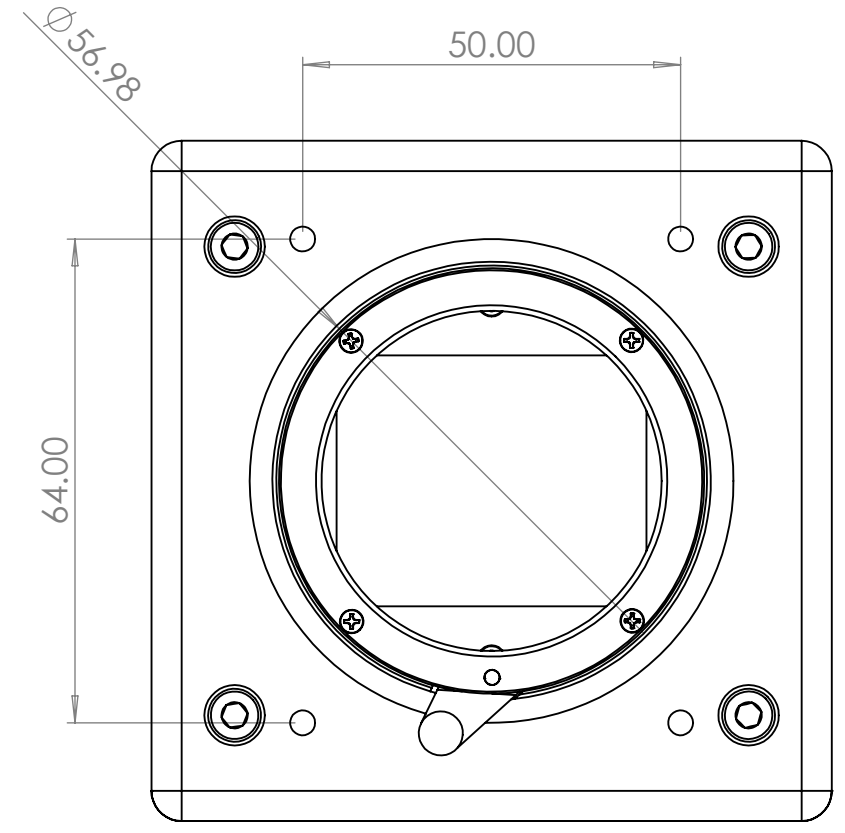
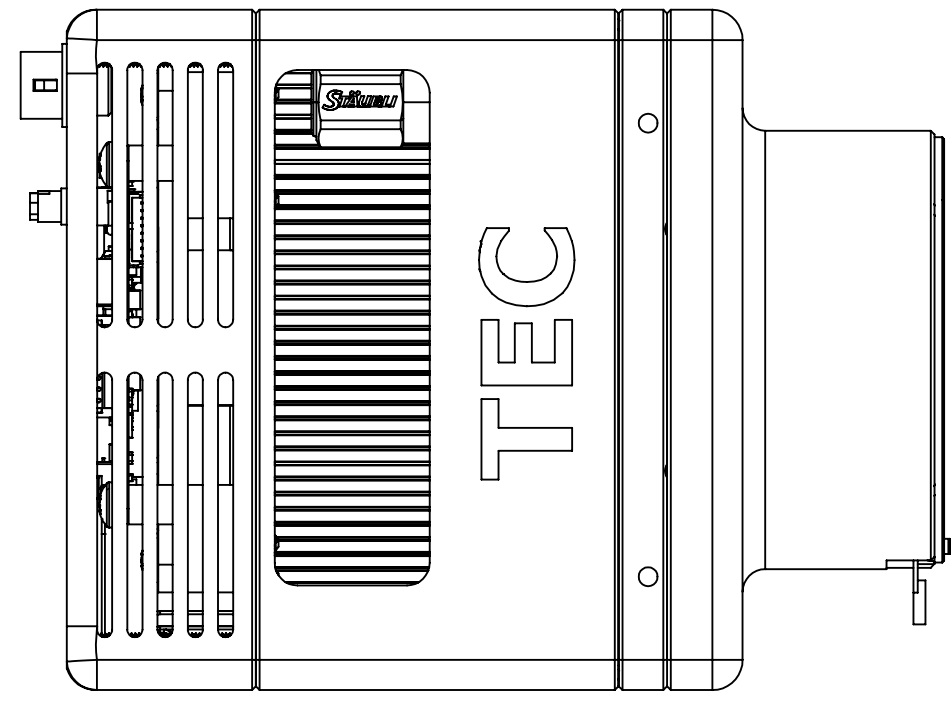
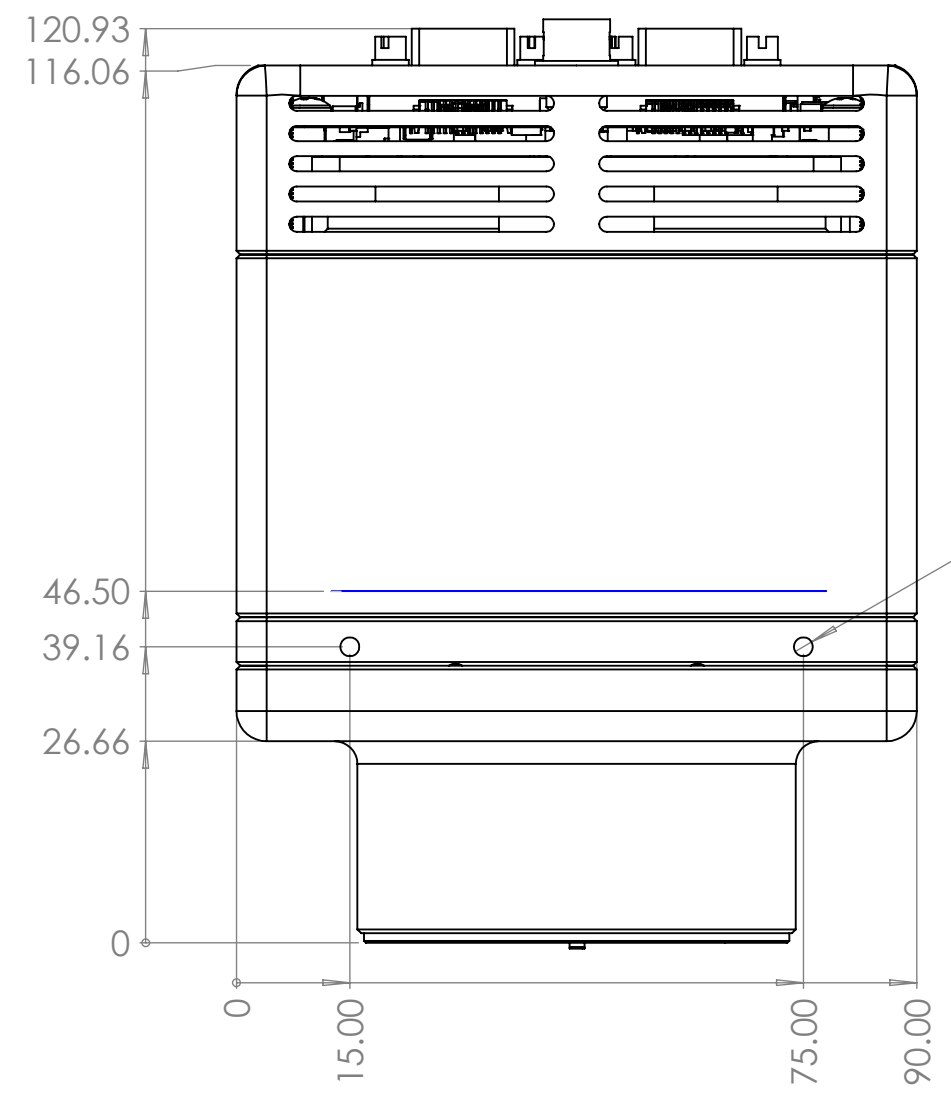



Copyright 2020 illunis LLC
 All rights reserved. This material contains CONFIDENTIAL INFORMATION that is the property of illunis LLC. Any use, duplication or disclosure not specifically authorized in writing by illunis LLC is prohibited.



UNLESS OTHERWISE SPECIFIED DIMENSIONS ARE IN mm [in] TOLERANCES ARE: DIMENSIONED ANGLES ± 0.5°	DECIMAL mm	DECIMALS in	BY	DATE	illunis LLC 14700 Excelsion Blvd Minnetonka, MN 55345 952-975-9203
	0-30 ± .1	.X ± .020	DESIGNED: STE	5/1/20	
	31-120 ± .2	.XX ± .010	DRAWN: STE	5/1/20	TITLE: CMV-51M TEC F CL
	121-350 ± .4	.XXX ± .005	CHECKED: STE	5/1/20	SIZE C
	351-1000 ± .8				PART NO. 52-03189
MACHINING REQUIREMENTS: EDGE BREAKS TO BE 0.2mm [0.015in] MAX REMOVE ALL BURRS AND SHARP EDGES			 www.illunis.com		REV
MATERIAL					SCALE: 1:1
DO NOT SCALE DRAWING					