



CMV-65 CL

Global Shutter CMOS

9344 x 7000 - 3.2µm PIXEL - APS Format



The CMV-65 features the latest generation Gpixel GMAX3265 3.2µm charge-domain global shutter sensor. With 65MP and a 37.4mm diagonal, the CMV-65 is ideal for high resolution machine vision and industrial inspection applications.

The CMV-65 offers outstanding quality by using the GPixel GMAX3265 CMOS sensor. The image sensor has 14 digital outputs each running up to 50Mhz. This results in 9.1 fps at full resolution in CameraLink full mode. Higher frame rates can be achieved in ROI/windowing mode. The cooling fan ensures minimum dark current and excellent image quality by maintaining the temperature of the sensor close to the ambient temperature.

CMV-65 CL CMOS HIGHLIGHTS

- ✓ 9344 X 7000 = 65M 3.2µm x 3.2µm pixels
- ✓ 29.9 x 22.4mm imaging area ~APS
- ✓ Monochrome and RGB Bayer versions
- ✓ No row or column defects
- ✓ Dynamic range 66dB
- ✓ Well depth 10.9Ke
- ✓ Windowing ROI capability
- ✓ Field Updatable Firmware and Extensive Built In Test (BIT)
- ✓ CameraLink output: Base, Medium, Full and Deca
- ✓ Drone sized OEM Module available
- ✓ M58, Nikon F, Canon EF and OEM lens mounts

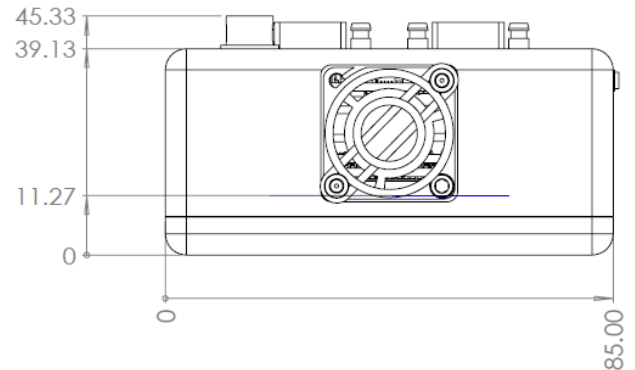
CMV-65 CL CMOS SPECIFICATIONS

Sensor	Cpixel GMAX3265 Monochrome, Bayer Color
Active Pixels	9344 (H) x 7000 (V), 65Mpix
Pixel Size	3.2 x 3.2µm with CDS
Active Image Size	29.9 x 22.4mm (~APS)
Sensor Outputs	14 lvsds outputs from sensor. Digitized 12 bits, Output 8/10 /12 bits
Frame Rate	See Table
Dynamic Range	66dB @ gain x 1.25
Pixel Clock Speed	Up to 50Mhz, 14 channels
Full Well Charge	10900e @ gain 0.75
Global Shutter Charge Domain Pixel	PLS < -83.5dB (1/15000)
Dark Noise	5.3e/s
Peak QE	65.3%
Min / Max Exposure	31µsec / 65sec
Sensor Defects	See Table
Defect Correction	Pixel, Hot Pixel, Shading, Black Clamp
Exposure Modes	Free Run, Triggered Program, Triggered Pulse Width
Power	7-12VDC at 8W - Reverse power protected
Lens Mount Options	M58, Nikon F, Canon EF, OEM
Options	OEM Module, TEC Cooled Version, USB3
Operating Temperature	0°C to 70°C (TBD)
Import Category	Digital Still Image Camera

All illunis cameras come with our free camera control software, which allows interactive setup of all camera parameters.



M58 DIMENSIONS



APPLICATIONS

- ✓ LCD/FPD INSPECTION > 8K FPD RESOLUTION
- ✓ AERIAL IMAGING
- ✓ BIOMETRIC
- ✓ AUTOMOTIVE INSPECTION
- ✓ AGRICULTURAL INSPECTION
- ✓ MILITARY
- ✓ SURVEILLANCE
- ✓ PCB INSPECTION

Data Interface	pixel / bits	Frame Rate
Camera Link Base	8 / 10 / 12	2.4
Camera Link Medium	8 / 10 / 12	4.9
Camera Link Full	8 x 8	9.4
Camera Link Deca	8 x 10	9.4

Defect	Grade 1	Grade 2	Grade 3
Max # of Defect Pixels	200	400	600
Acceptable Cluster Size	-	2-4	2-9
Max # of Clusters	-	12	20
Max # of Defect Row and Columns	0	0	0

Get in Touch

✉ info@illunis.com



CONTACT US

illunis, LLC
14700 Excelsior Boulevard
Minnetonka, MN 55345 USA

☎ +1.952.975.9203
☎ +1.952.294.8308 (fax)
✉ info@illunis.com
🌐 www.illunis.com