

Copyright 2019 illunis LLC
 All rights reserved. This material contains CONFIDENTIAL INFORMATION that is the property of illunis LLC. Any use, duplication or disclosure not specifically authorized in writing by illunis LLC is prohibited.

REVISIONS				
ZONE	REV.	DESCRIPTION	DATE	APPROVED
	A	Release	9/30/2019	STE

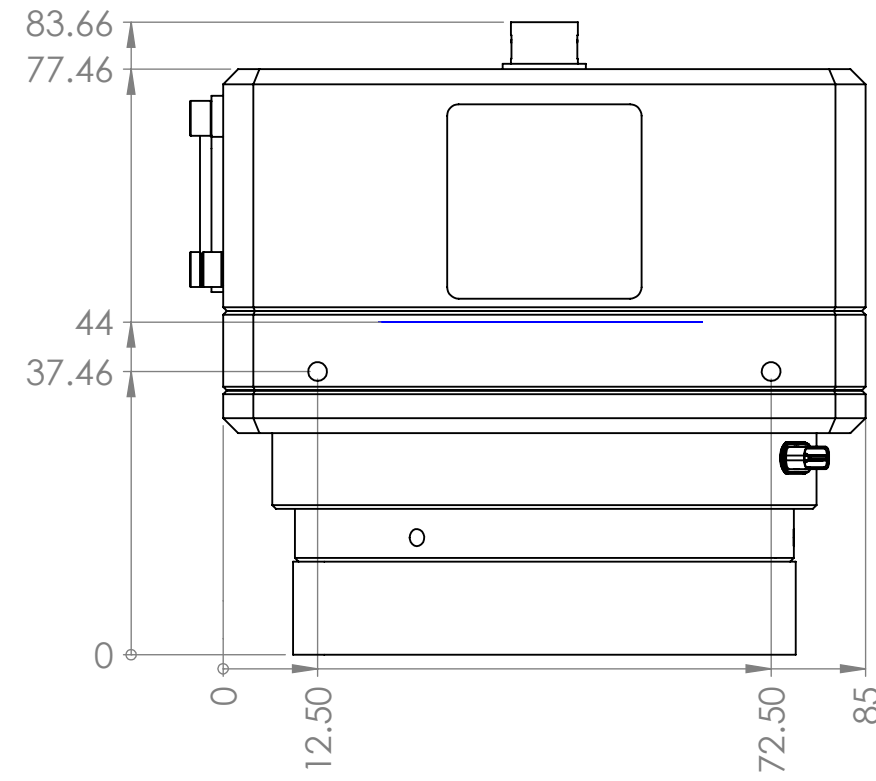
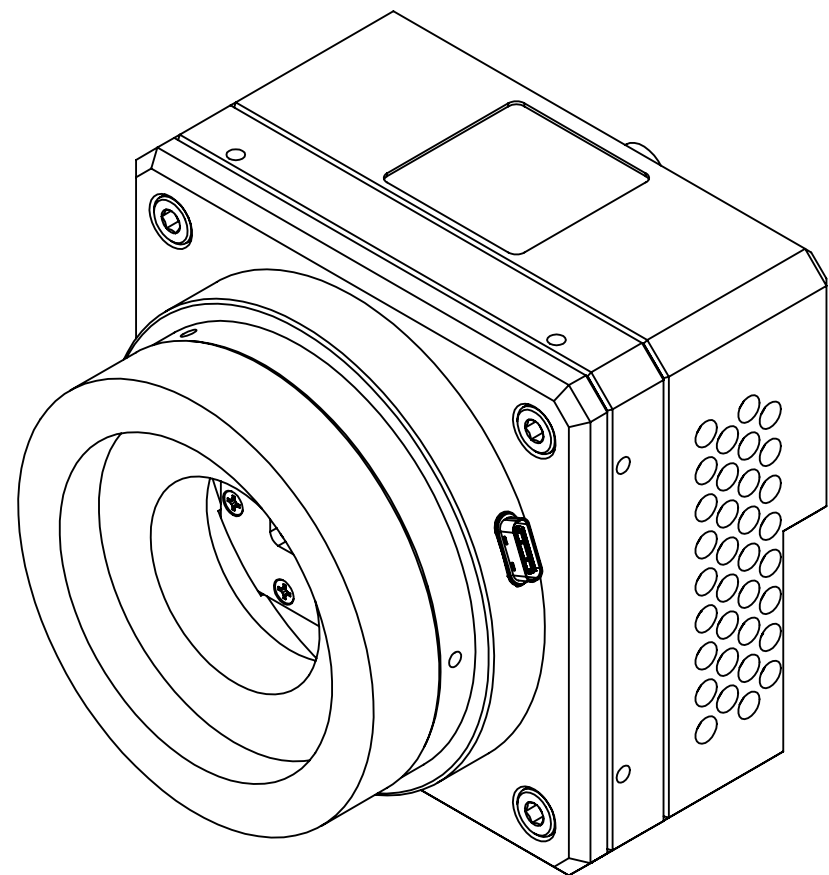
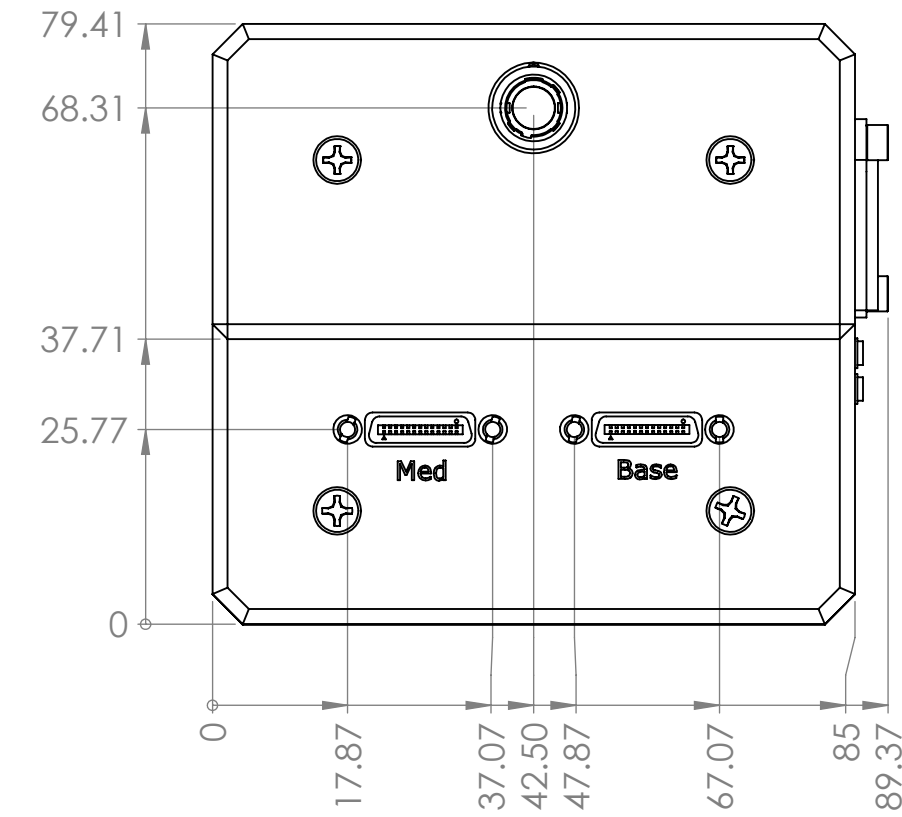
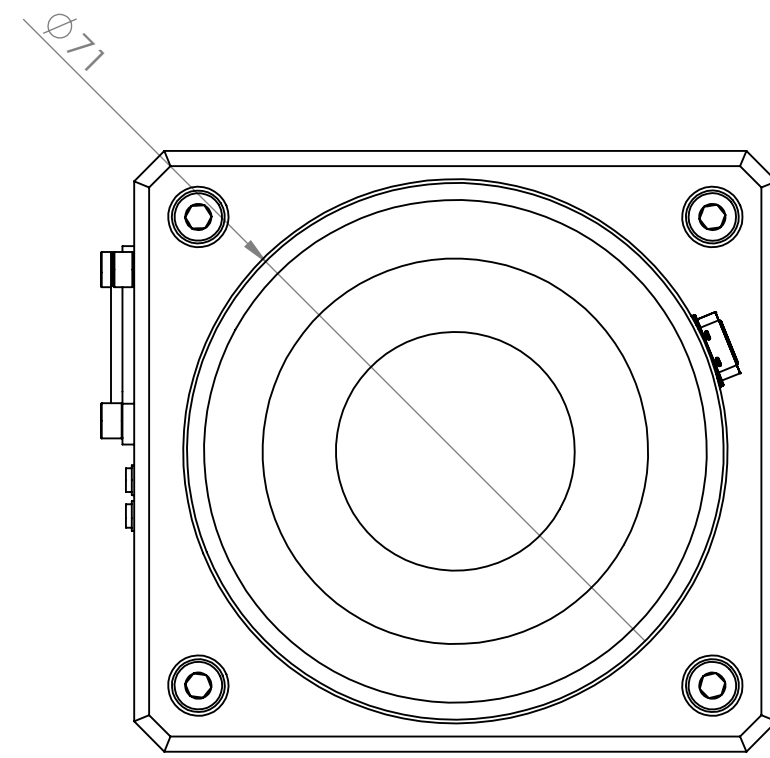
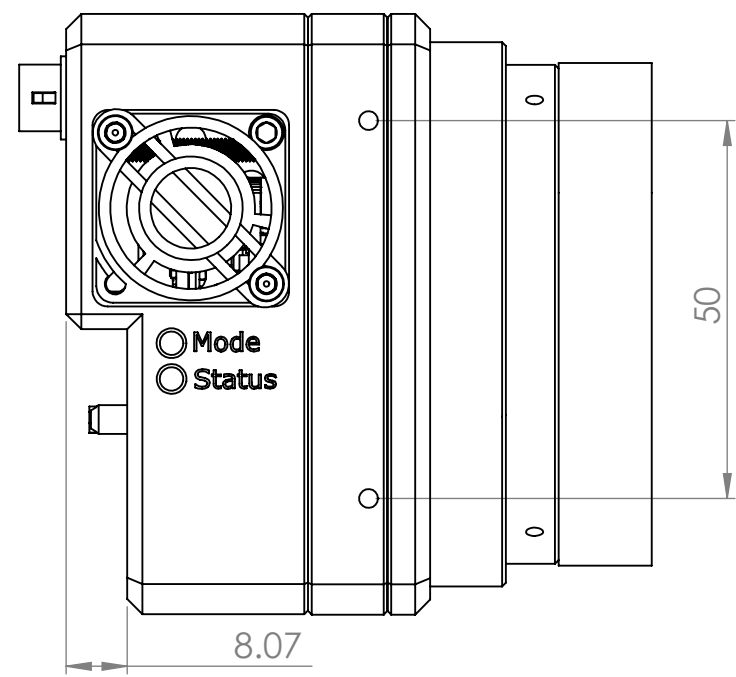


IMAGE PLANE



UNLESS OTHERWISE SPECIFIED
 DIMENSIONS ARE IN mm [in]
 TOLERANCES ARE:
 DIMENSIONED ANGLES ± 0.5°

DECIMAL mm	DECIMALS in
0-30 ± .1	.X ± .020
31-120 ± .2	.XX ± .010
121-350 ± .4	.XXX ± .005
351-1000 ± .8	

BY	DATE
DESIGNED	9/30/2019
DRAWN	9/30/2019
CHECKED	Admin

illunis LLC
 14700 Excelsion Blvd
 Minnetonka, MN 55345
 952-975-9203

TITLE:
CMV 71M CL Canon EF

MACHINING REQUIREMENTS:
 EDGE BREAKS TO BE 0.2mm [0.015in] MAX
 REMOVE ALL BURRS AND SHARP EDGES

MATERIAL
 DO NOT SCALE DRAWING



SIZE	PART NO.	REV
C		A
SCALE: 1:1	WEIGHT:	SHEET 1 OF 1