

Copyright 2019 illunis LLC
 All rights reserved. This material contains CONFIDENTIAL INFORMATION that is the property of illunis LLC. Any use, duplication or disclosure not specifically authorized in writing by illunis LLC is prohibited.

REVISIONS				
ZONE	REV.	DESCRIPTION	DATE	APPROVED
	A	Release	9/30/2019	STE

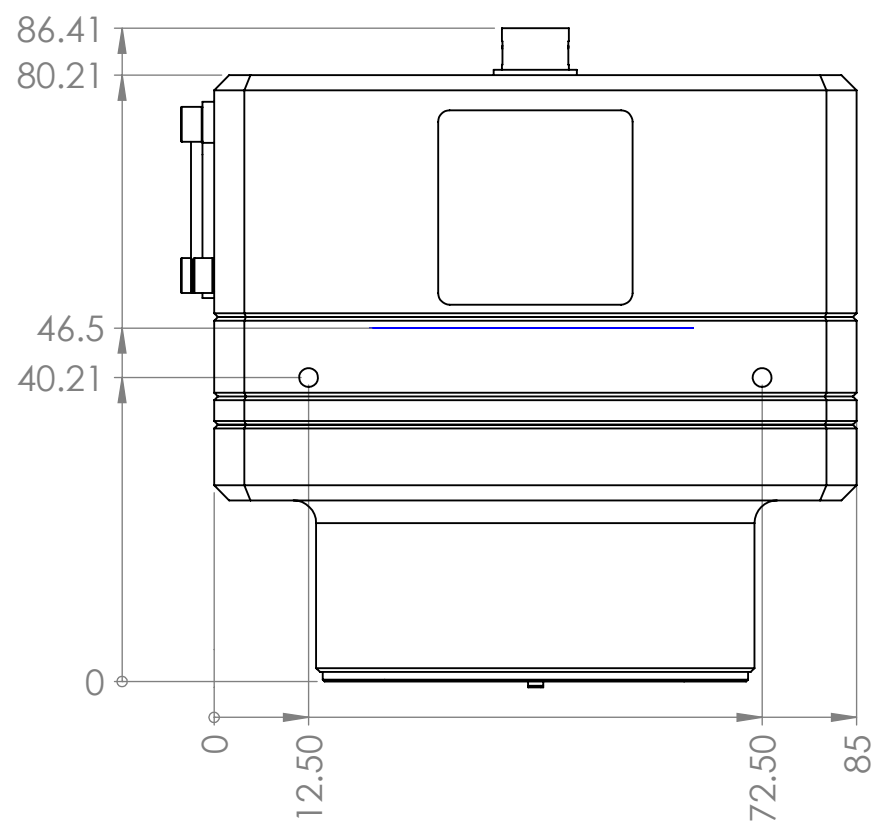
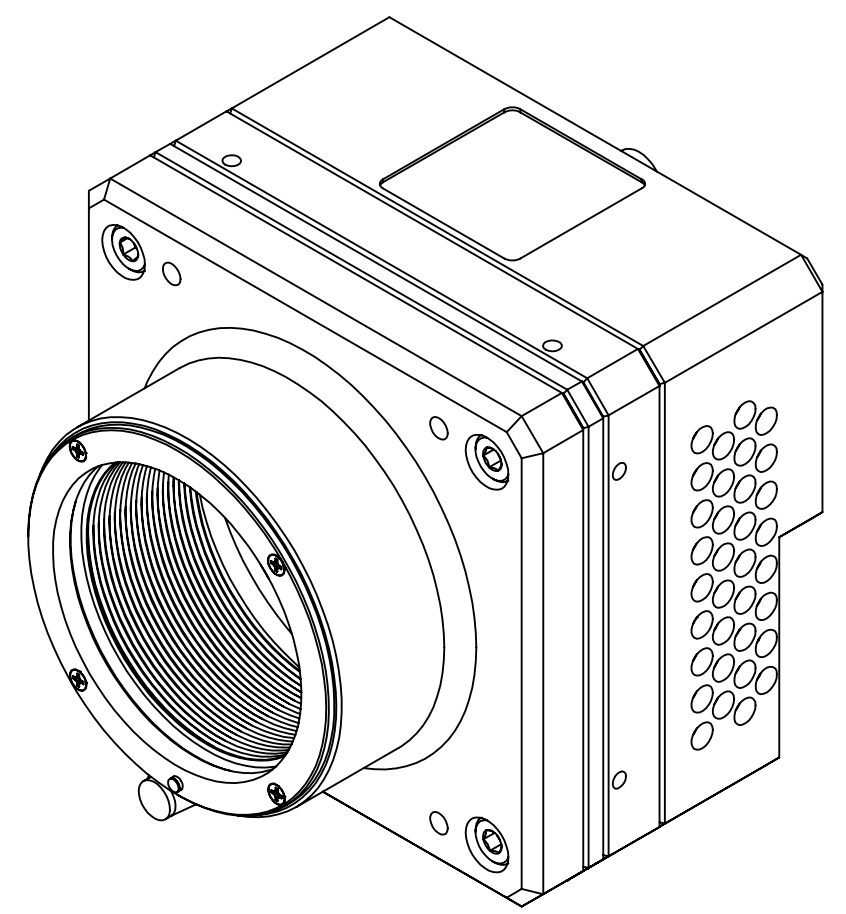
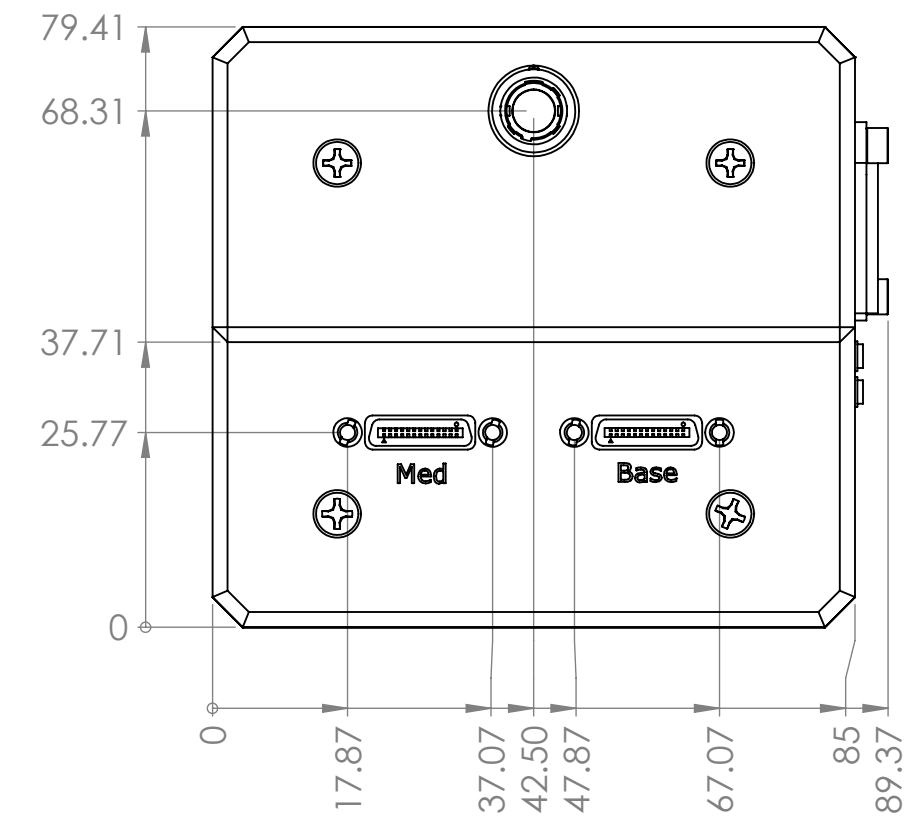
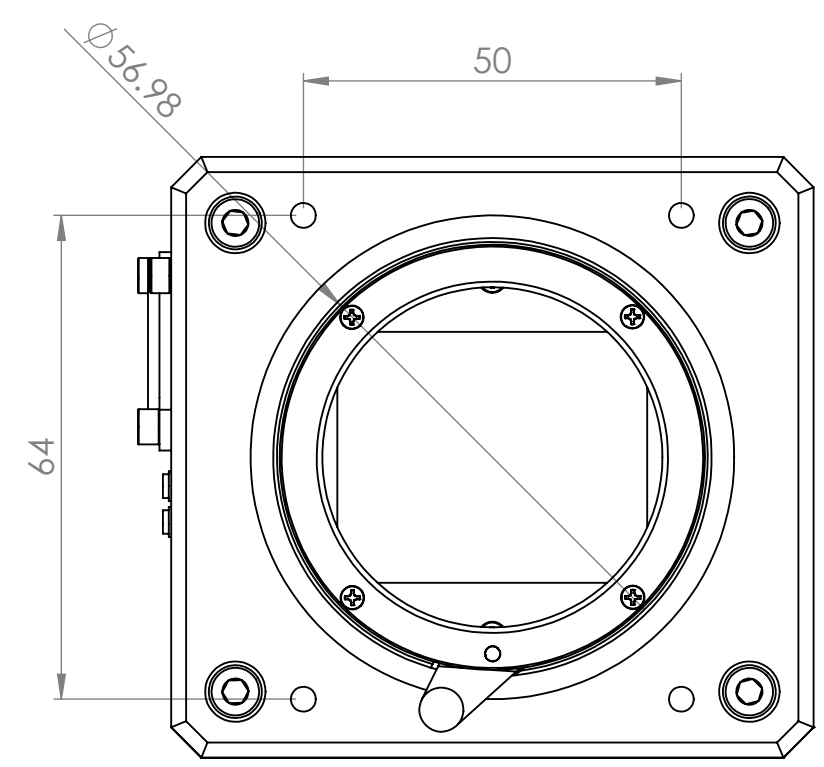
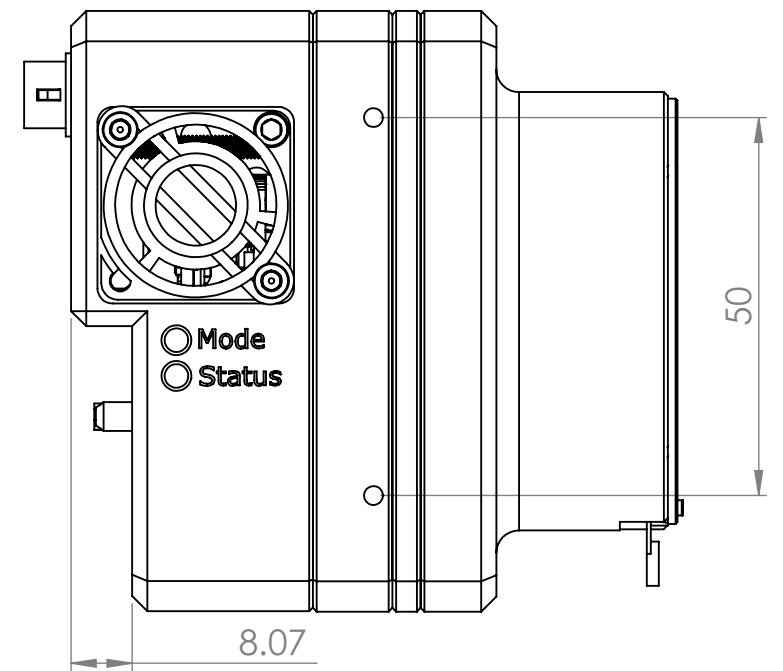



IMAGE PLANE



UNLESS OTHERWISE SPECIFIED DIMENSIONS ARE IN mm [in] TOLERANCES ARE: DIMENSIONED ANGLES ± 0.5°	DECIMAL mm	DECIMALS in	BY	DATE	illunis LLC 14700 Excelsion Blvd Minnetonka, MN 55345 952-975-9203	
	0-30 ± .1	.X ± .020	DESIGNED	9/30/2019		
	31-120 ± .2	.XX ± .010	DRAWN	9/30/2019		
	121-350 ± .4	.XXX ± .005	CHECKED	Admin		
351-1000 ± .8						
MACHINING REQUIREMENTS: EDGE BREAKS TO BE 0.2mm [0.015in] MAX REMOVE ALL BURRS AND SHARP EDGES			 www.illunis.com		TITLE:	
MATERIAL					CMV 71M CL F	
DO NOT SCALE DRAWING					SIZE	PART NO.
			C		A	
			SCALE: 1:1	WEIGHT:	SHEET 1 OF 1	