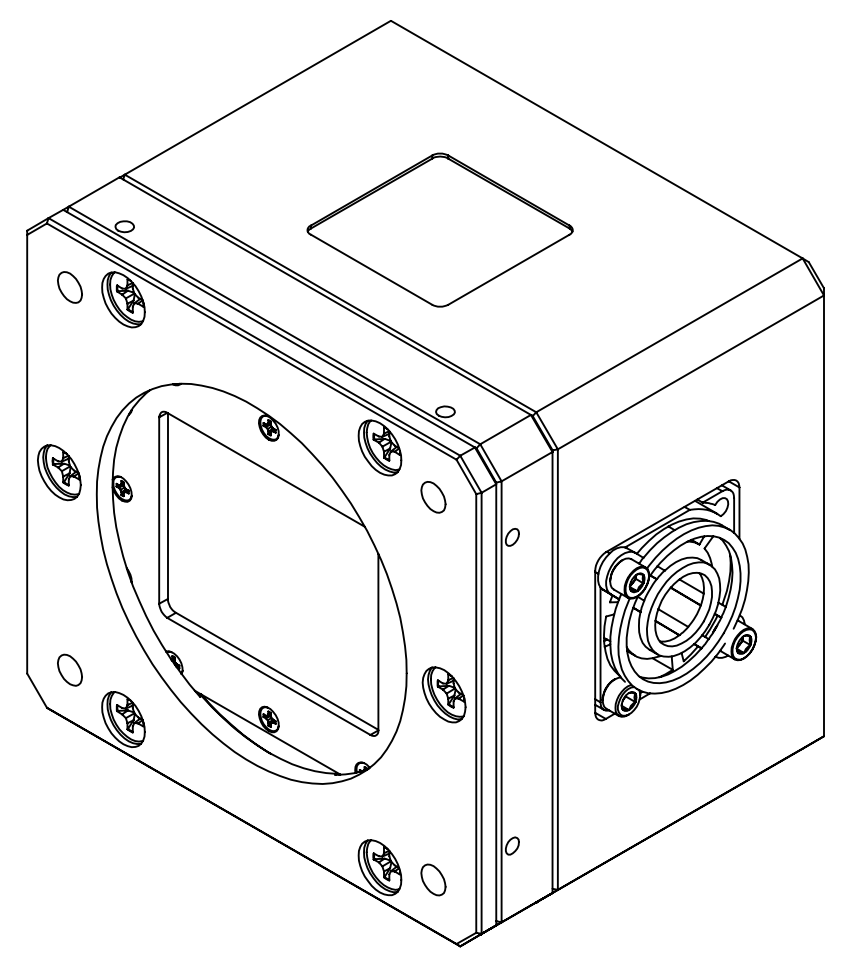
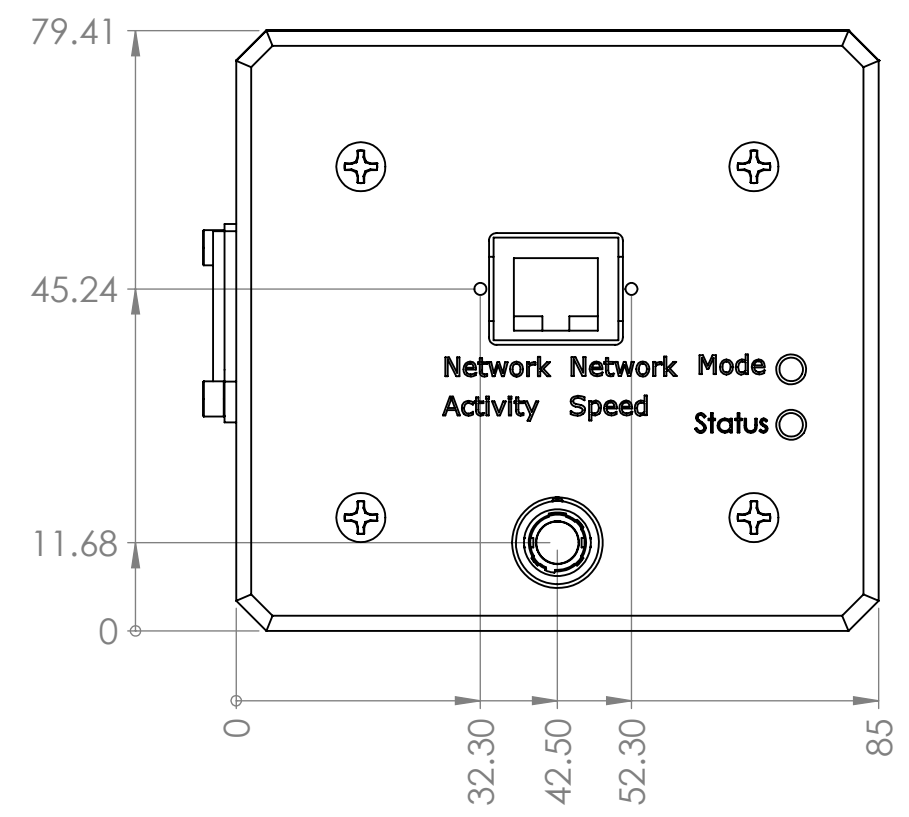
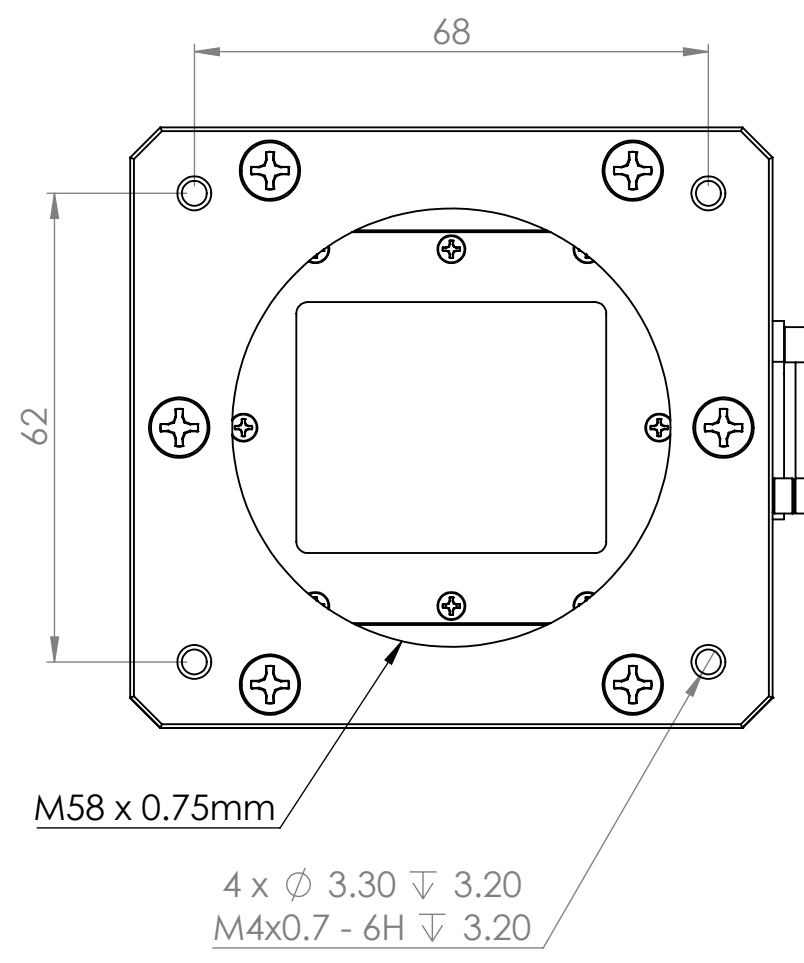
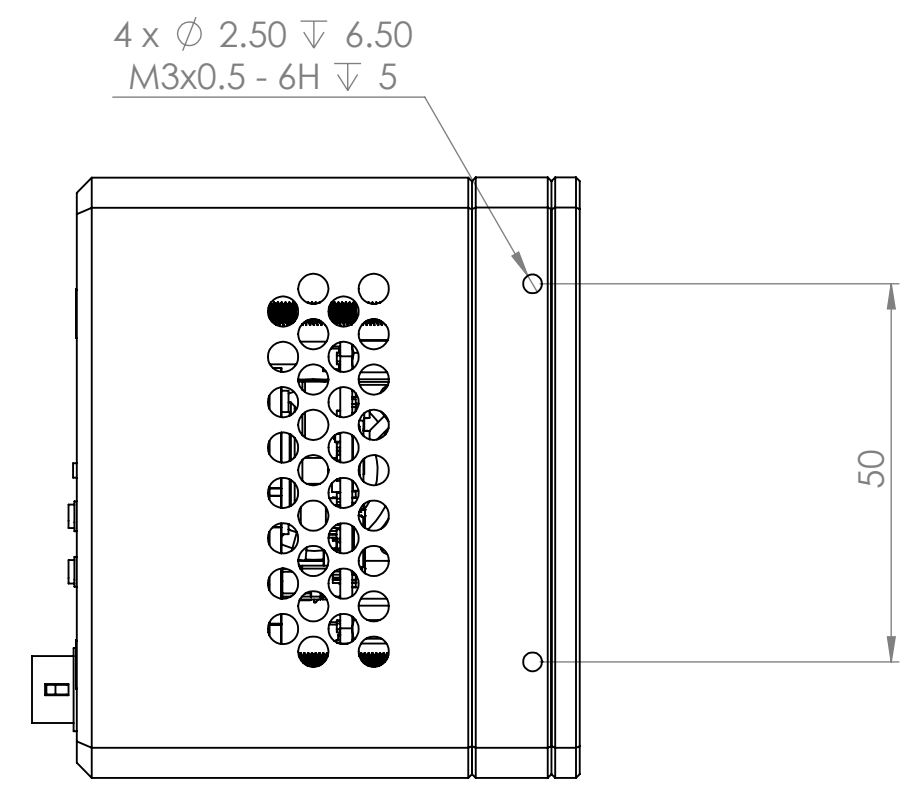
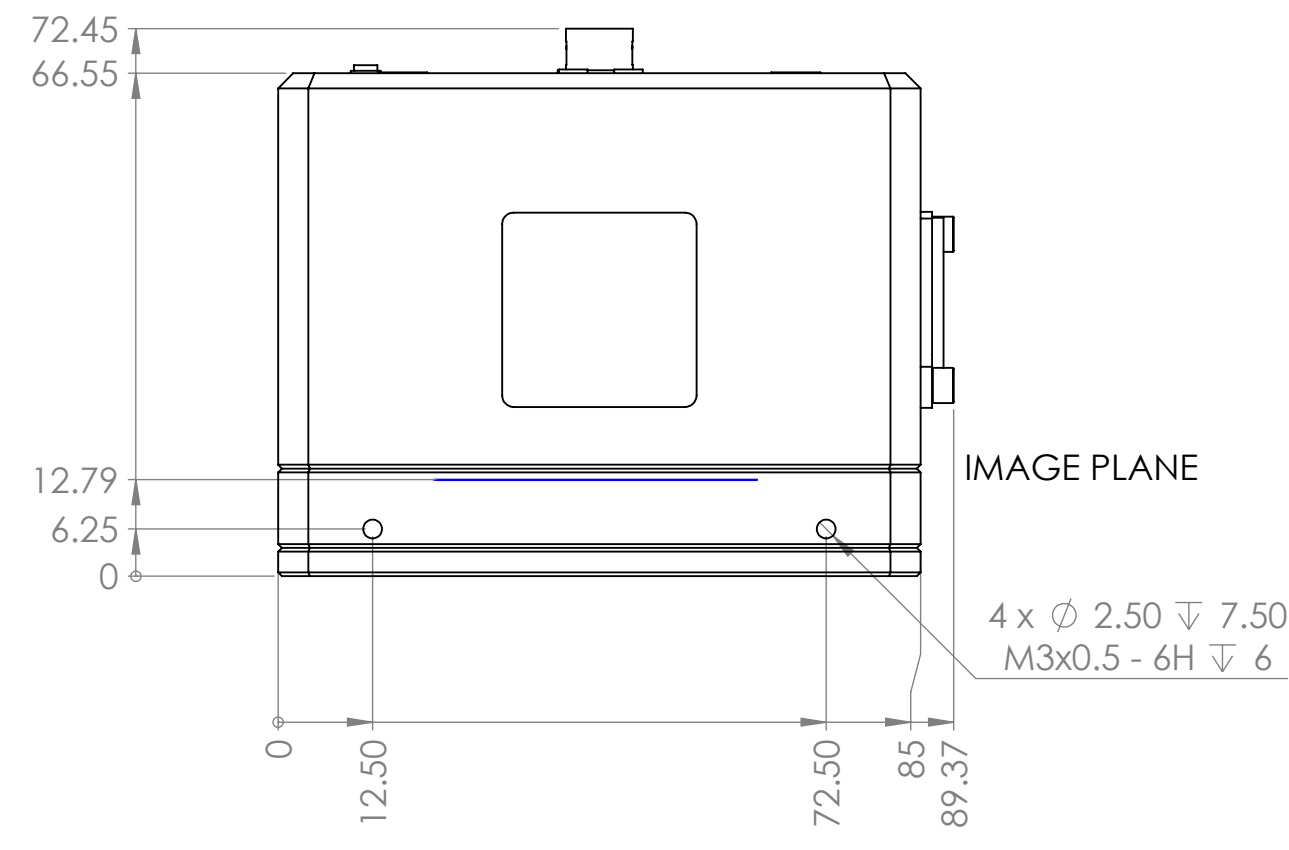



Copyright 2019 illunis LLC
 All rights reserved. This material contains CONFIDENTIAL INFORMATION that is the property of illunis LLC. Any use, duplication or disclosure not specifically authorized in writing by illunis LLC is prohibited.

REVISIONS				
ZONE	REV.	DESCRIPTION	DATE	APPROVED
	A	Release	9/30/2019	STE



UNLESS OTHERWISE SPECIFIED DIMENSIONS ARE IN mm [in] TOLERANCES ARE:		DECIMAL mm 0-30 ± .1 31-120 ± .2 121-350 ± .4 351-1000 ± .8	DECIMALS in .X ± .020 .XX ± .010 .XXX ± .005	BY	DATE	illunis LLC 14700 Excelsion Blvd Minnetonka, MN 55345 952-975-9203 TITLE: CMV 71M GigE M58		
DIMENSIONED ANGLES ± 0.5°				DESIGNED	9/30/2019			
MACHINING REQUIREMENTS: EDGE BREAKS TO BE 0.2mm [0.015in] MAX REMOVE ALL BURRS AND SHARP EDGES				DRAWN	9/30/2019			
MATERIAL				CHECKED	Admin			
DO NOT SCALE DRAWING				 www.illunis.com		SIZE C	PART NO.	REV A
				SCALE: 1:1		WEIGHT:	SHEET 1 OF 1	