

Copyright 2019 illunis LLC
 All rights reserved. This material contains CONFIDENTIAL INFORMATION that is the property of illunis LLC. Any use, duplication or disclosure not specifically authorized in writing by illunis LLC is prohibited.

| REVISIONS | | | | |
|-----------|------|-------------|-----------|----------|
| ZONE | REV. | DESCRIPTION | DATE | APPROVED |
| | A | Release | 10/1/2019 | STE |

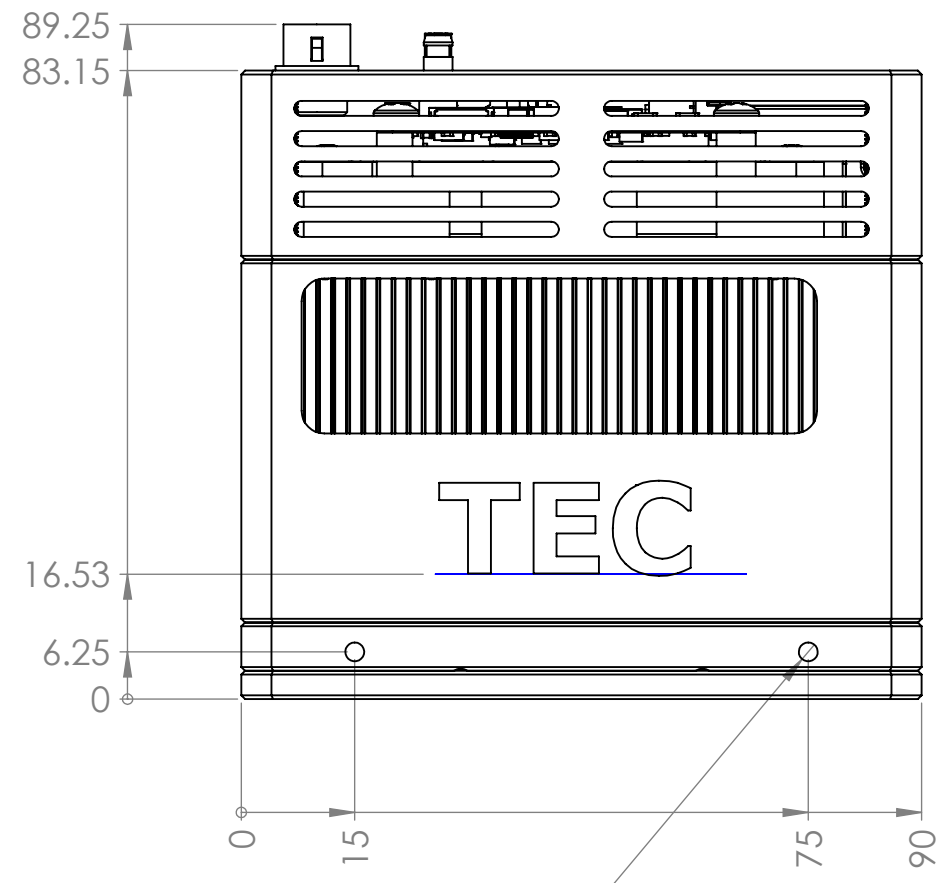
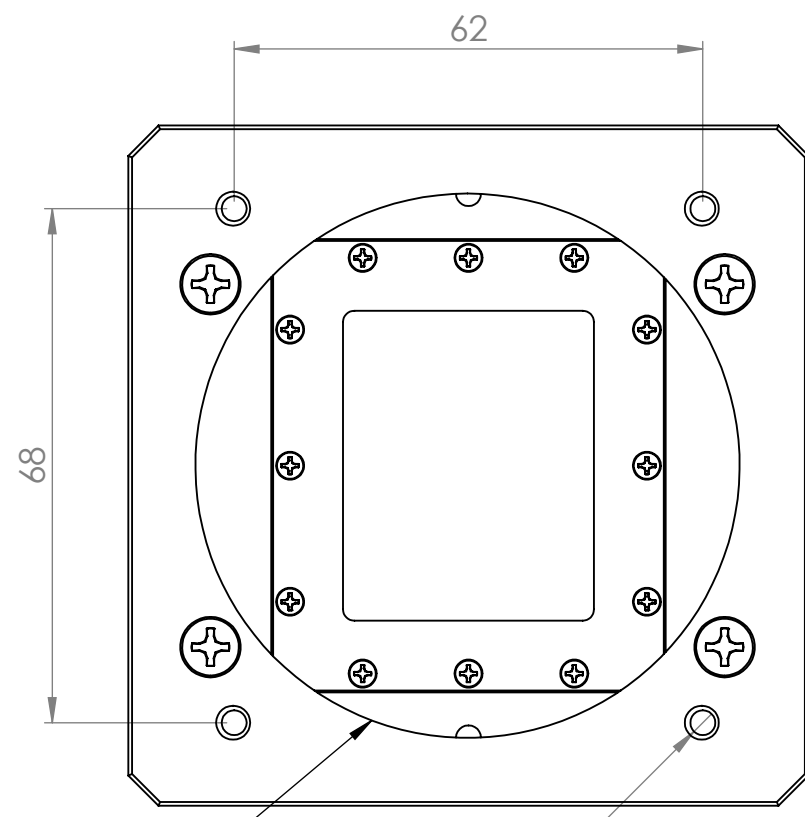
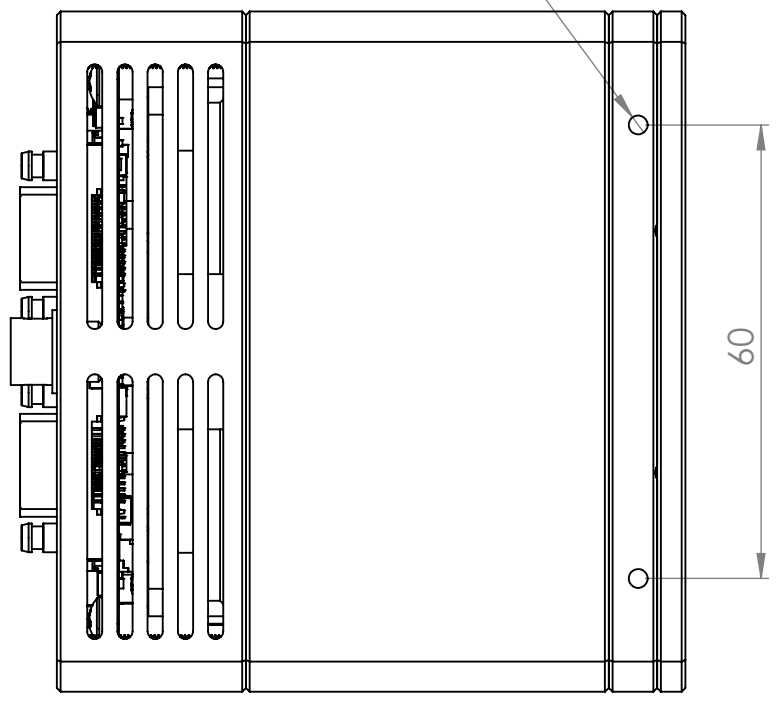


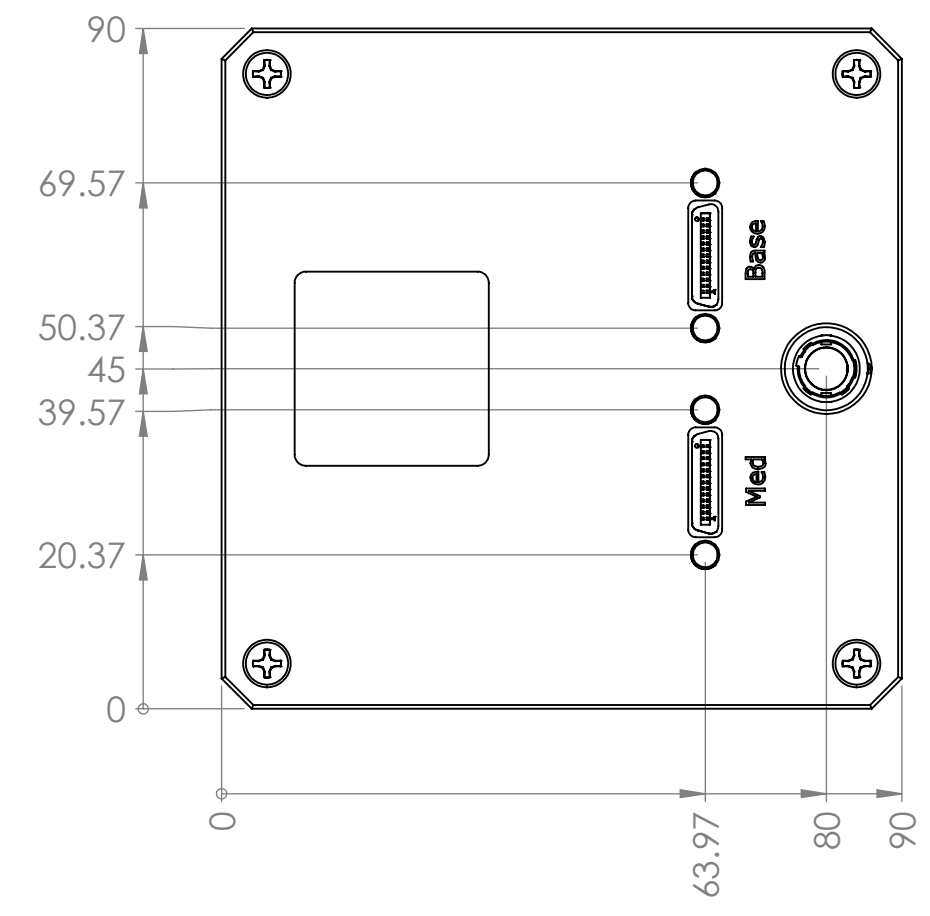
IMAGE PLANE

4 x ϕ 2.50 ∇ 6.50
 M3x0.5 - 6H ∇ 5

4 x ϕ 2.50 ∇ 7.50
 M3x0.5 - 6H ∇ 6



M72 x 0.75mm
 4 x ϕ 3.30 ∇ 3.20
 M4x0.7 - 6H ∇ 3.20



UNLESS OTHERWISE SPECIFIED
 DIMENSIONS ARE IN mm [in]
 TOLERANCES ARE:
 DIMENSIONED ANGLES \pm 0.5°

| DECIMAL mm | DECIMALS in |
|-------------------|-----------------|
| 0-30 \pm .1 | .X \pm .020 |
| 31-120 \pm .2 | .XX \pm .010 |
| 121-350 \pm .4 | .XXX \pm .005 |
| 351-1000 \pm .8 | |

| BY | DATE |
|----------|-----------|
| DESIGNED | 10/1/2019 |
| DRAWN | 10/1/2019 |
| CHECKED | |

illunis LLC
 14700 Excelsion Blvd
 Minnetonka, MN 55345
 952-975-9203

TITLE:
CMV 71TEC CL M72

MACHINING REQUIREMENTS:
 EDGE BREAKS TO BE 0.2mm [0.015in] MAX
 REMOVE ALL BURRS AND SHARP EDGES

MATERIAL
 DO NOT SCALE DRAWING



| | | |
|------------------|----------|-----------------|
| SIZE C | PART NO. | REV A |
| SCALE: 1:1 | WEIGHT: | SHEET 1 OF 1 |