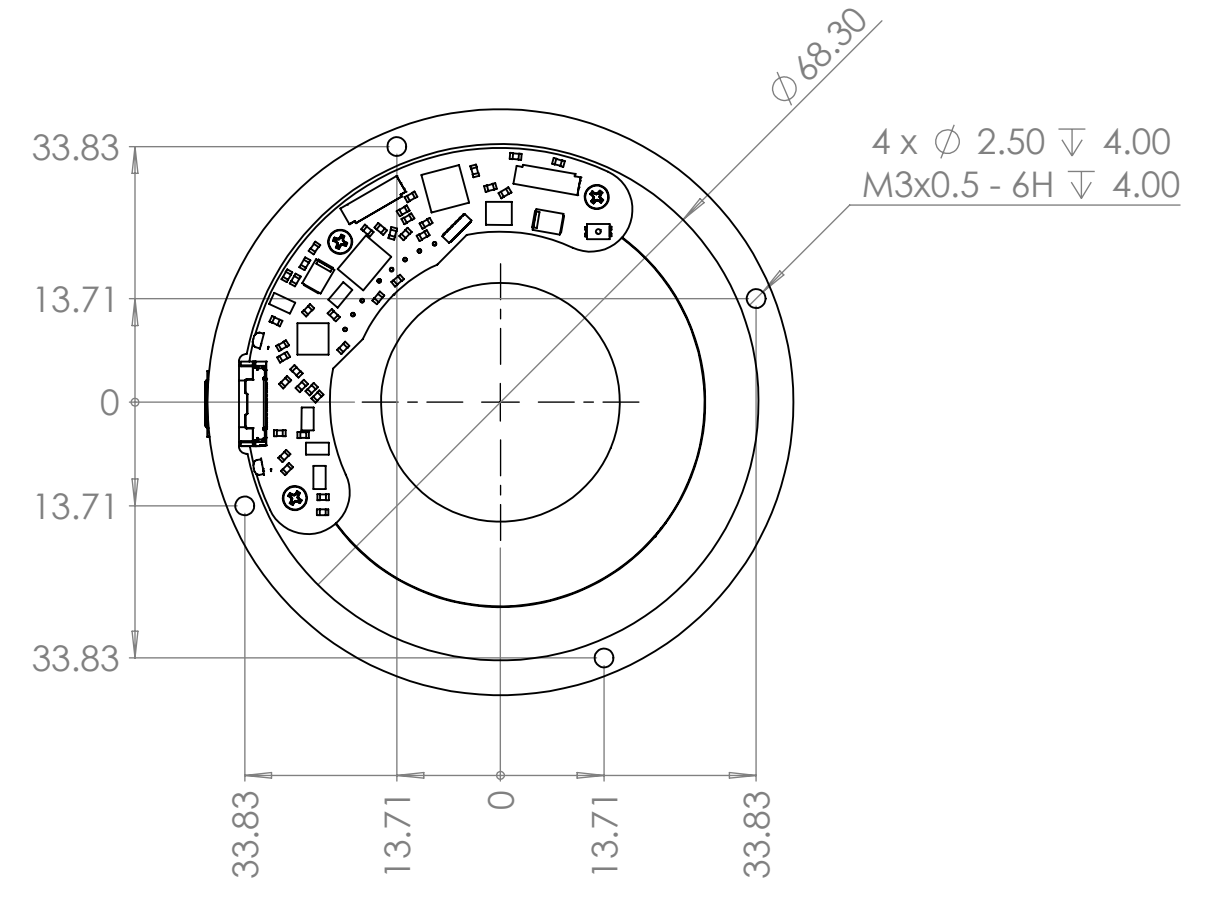
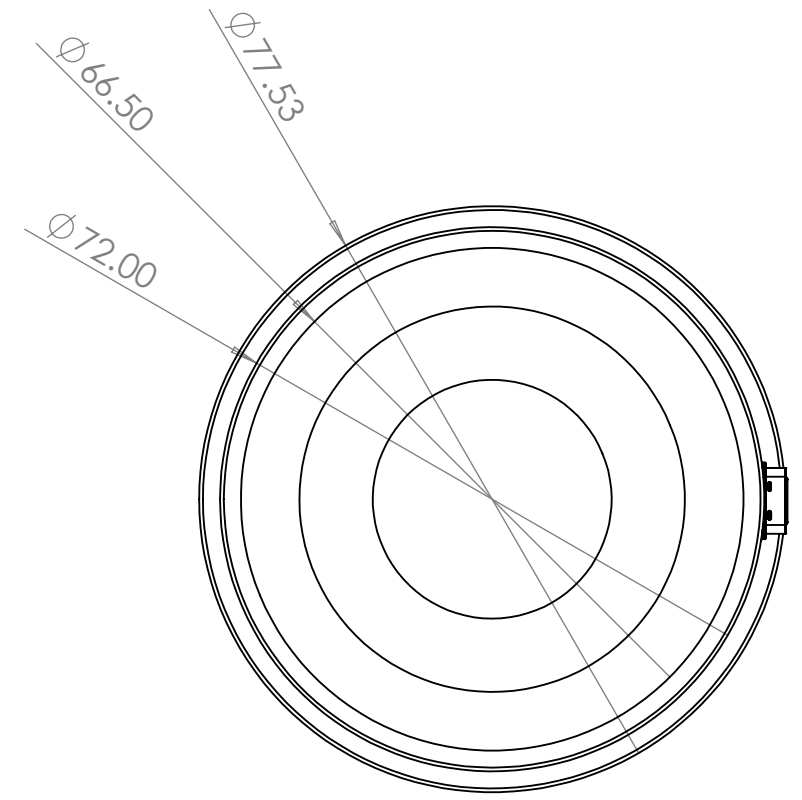
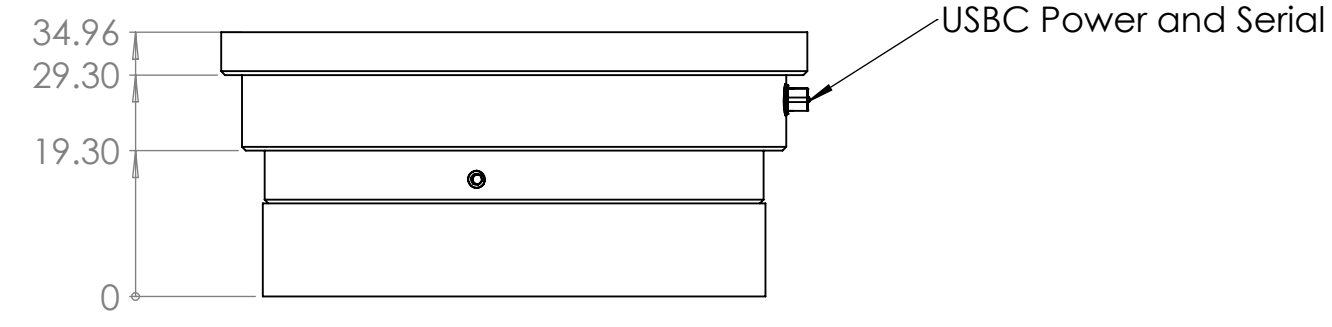


Copyright 2020 illunis LLC
 All rights reserved. This material contains CONFIDENTIAL INFORMATION that is the property of illunis LLC. Any use, duplication or disclosure not specifically authorized in writing by illunis LLC is prohibited.

REVISIONS				
ZONE	REV.	DESCRIPTION	DATE	APPROVED
	A	Release	5/11/2020	STE



UNLESS OTHERWISE SPECIFIED	DECIMAL mm	DECIMALS in
DIMENSIONS ARE IN mm [in]	0-30 ± .1	.X ± .020
TOLERANCES ARE:	31-120 ± .2	.XX ± .010
	121-350 ± .4	.XXX ± .005
DIMENSIONED ANGLES ± 0.5°	351-1000 ± .8	

MACHINING REQUIREMENTS:
 EDGE BREAKS TO BE 0.2mm [0.015in] MAX
 REMOVE ALL BURRS AND SHARP EDGES

MATERIAL
 DO NOT SCALE DRAWING

	BY	DATE
DESIGNED:	STE	5/11/20
DRAWN:	STE	5/11/20
CHECKED:	STE	5/11/20



illunis LLC 14700 Excelsion Blvd
 Minnetonka, MN 55345
 952-975-9203

TITLE:
Canon EF OEM Puck Assembly

SIZE C	PART NO. 26-03188	REV A
SCALE: 1:1	MASS: (gm)	SHEET 1 OF 1