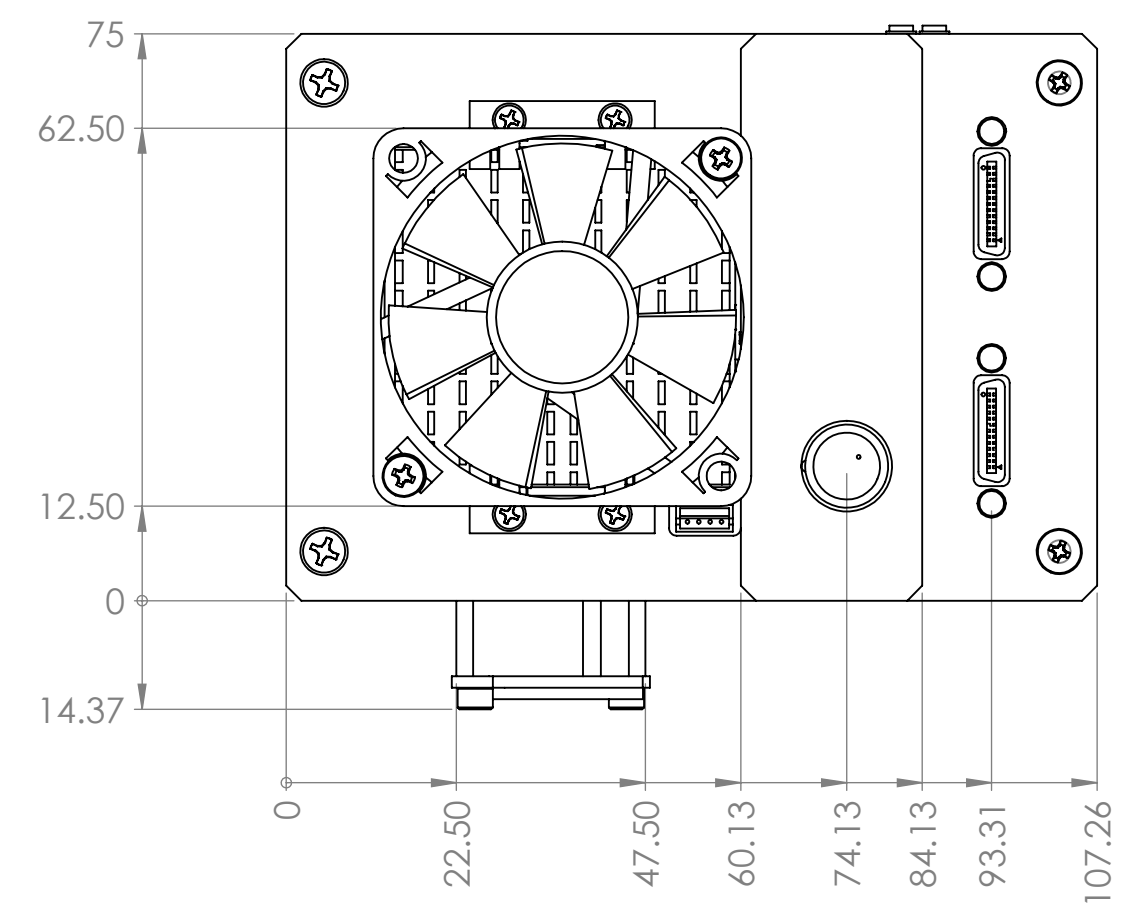
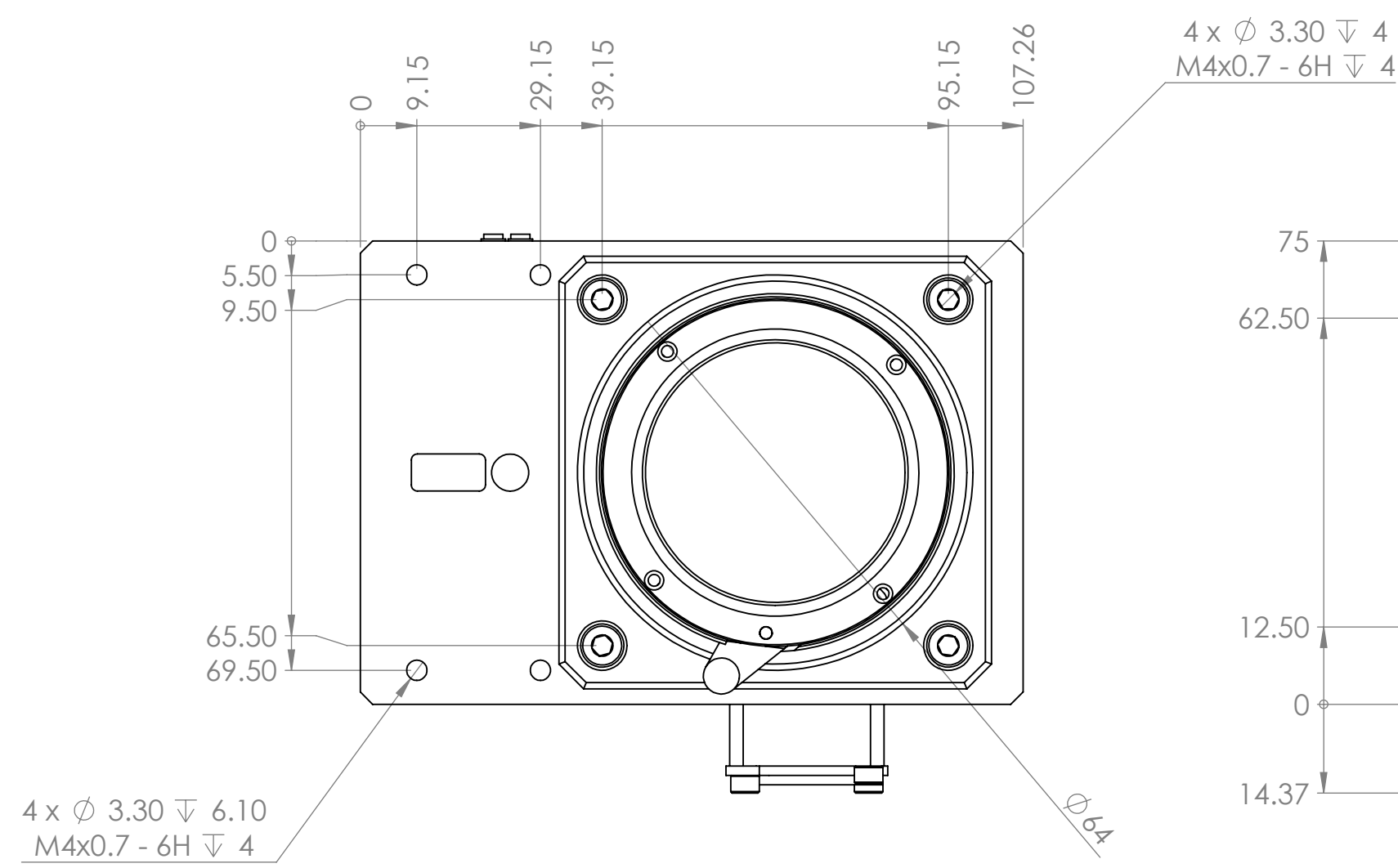
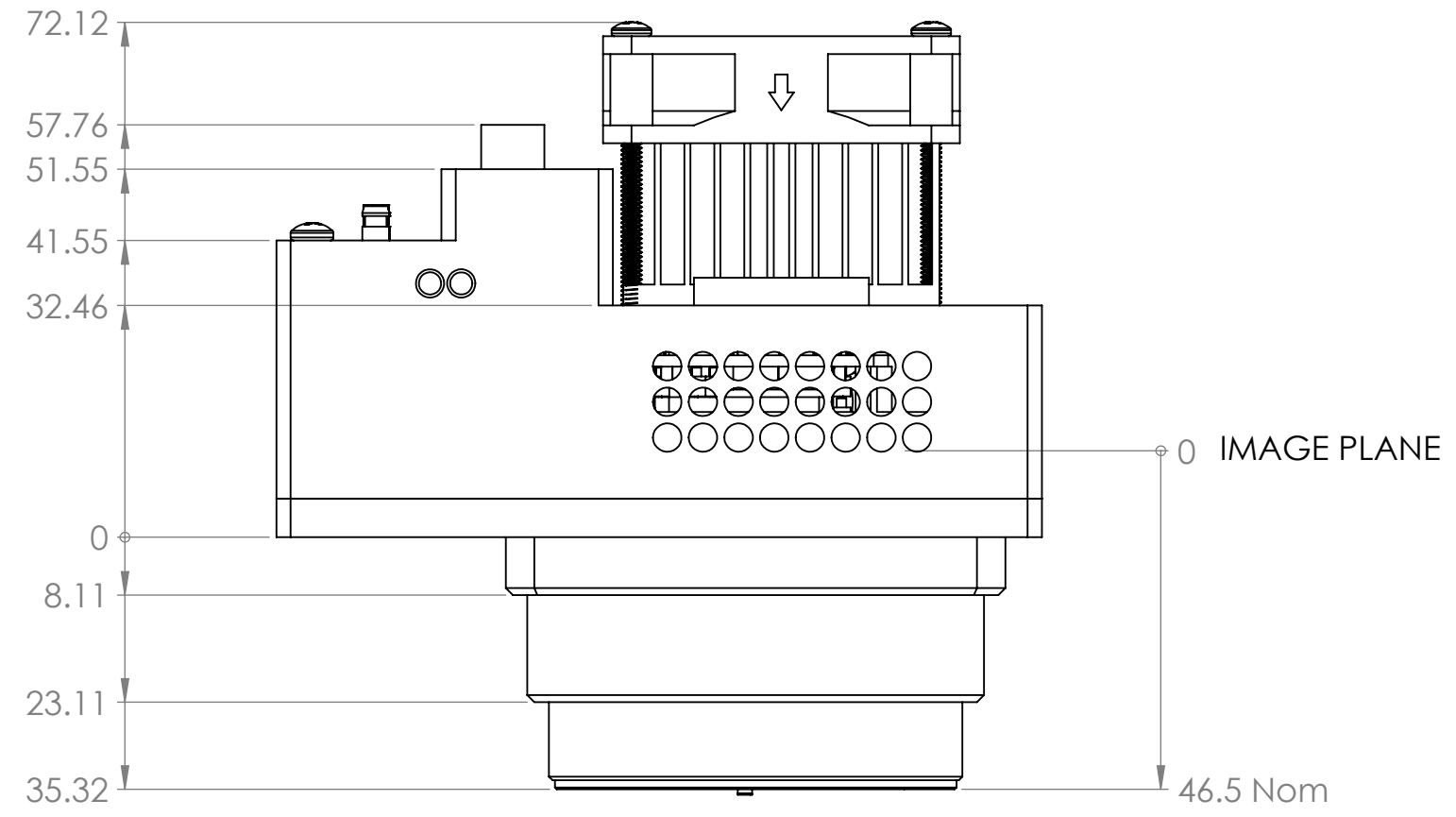


Copyright 2017 illunis LLC  
 All rights reserved. This material contains CONFIDENTIAL INFORMATION that is the property of illunis LLC. Any use, duplication or disclosure not specifically authorized in writing by illunis LLC is prohibited.

REVISIONS				
ZONE	REV.	DESCRIPTION	DATE	APPROVED
	A	Release	4/25/2017	STE



UNLESS OTHERWISE SPECIFIED  
 DIMENSIONS ARE IN mm [in]  
 TOLERANCES ARE:  
 DIMENSIONED ANGLES ± 0.5°

DECIMAL mm	DECIMALS in
0-30 ± .1	.X ± .020
31-120 ± .2	.XX ± .010
121-350 ± .4	.XXX ± .005
351-1000 ± .8	

MACHINING REQUIREMENTS:  
 EDGE BREAKS TO BE 0.2mm [0.015in] MAX  
 REMOVE ALL BURRS AND SHARP EDGES

MATERIAL

DO NOT SCALE DRAWING

DESIGNED	BY	DATE	<b>illunis LLC</b> <small>14700 Excelsion Blvd          Minnetonka, MN 55345          952-975-9203</small>
DRAWN		9/8/2015	
CHECKED			
TITLE:			<b>71M TEC</b>
SIZE	PART NO.	REV	
<b>C</b>	<b>13-02587</b>		
SCALE: 1:1	WEIGHT:	SHEET 1 OF 1	

