



RMV 7.4 μ m

Interline CCD Camera Series

7.4 μ m PIXEL



The RMV-xx070 camera series is a family of area scan, global electronic shutter CCD digital cameras up to 16 megapixels. Available in color and monochrome versions and is designed for use in industrial, machine vision, aerial, military, and scientific applications.

The RMV-xx070 camera series offers outstanding quality by using the ON Semiconductor 7.4 micron CCD image sensors. Additional features include: low smear -100dB, blooming suppression of >300x, full 14 bit sampling and 12 bit data paths, advanced triggering and CCD readout control, built in detectors that analyze camera performance, and image processing to remove sensor defects.

RMV-xx070 HIGHLIGHTS

- ✓ Monochrome and RGB Bayer
- ✓ Global electronic shutter
- ✓ Full 14 bit sampling
- ✓ 8, 10, 12 bit selectable data output
- ✓ 1, 2, or 4 tap readout
- ✓ >64dB dynamic range
- ✓ On Screen text and line plots
- ✓ Power over Camera Link (PoCL)
- ✓ Pixel and column defect correction
- ✓ Camera control GUI

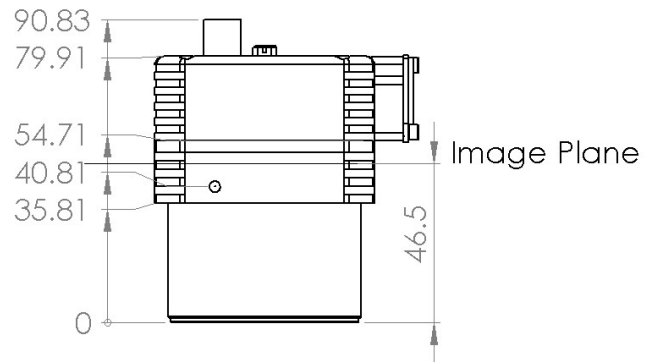
RMV-xx070 SPECIFICATIONS

Sensor	ON Semi 7.4µm
Architecture	Global Electronic CCD
Configuration	Mono and RGB Bayer
Pixel Count	2 - 16MP
Dynamic Range	60 - 70dB
Lens Mount	C, Nikon F, Canon Birger, OEM
Sensing Area	Varies by sensor
Aspect Ratio	Varies by sensor
Active Pixels	Varies by sensor
Pixel Clock	40 MHz
Well Depth (e)	20,000 - 44,000
Tap Reorder	Built-in
Partial Scan	Any line to any line
Binning	2x2, 4x4
Readout Modes	Program Exposure, Pulse Width, Double Exposure, Overlap Exposure, Free Run, Free Run Synchronized
Field Updatable Firmware	Yes
Sensor Taps	1, 2, or 4 selectable
Power (CL)	6.8-7.3W at 12V. Varies by sensor.
Operating Temp (CL)	-40°C to +85°C
Data Output Options	Camera Link, GigE, USB3

All illunis cameras come with our free camera control software, which allows interactive setup of all camera parameters.



DIMENSIONS



APPLICATIONS

- ✓ INDUSTRIAL
- ✓ MACHINE VISION
- ✓ AERIAL IMAGING
- ✓ MILITARY SURVEILLANCE
- ✓ SCIENTIFIC APPLICATIONS

Supported Sensors

KAI-02020
KAI-02170
KAI-04022
KAI-04070
KAI-16070

Get in Touch

✉ info@illunis.com



CONTACT US

illunis, LLC
14700 Excelsior Boulevard
Minnetonka, MN 55345 USA

☎ +1.952.975.9203
☎ +1.952.294.8308 (fax)
✉ info@illunis.com
🌐 www.illunis.com